



Pharmacy Solutions

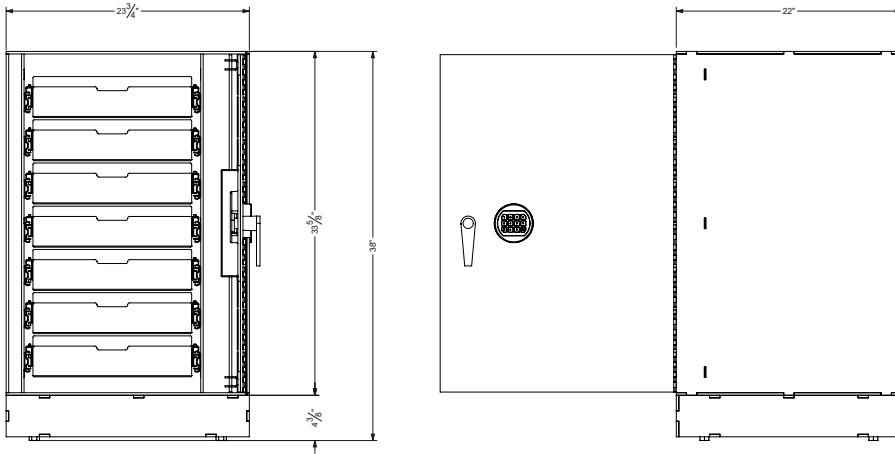
Protect your assets



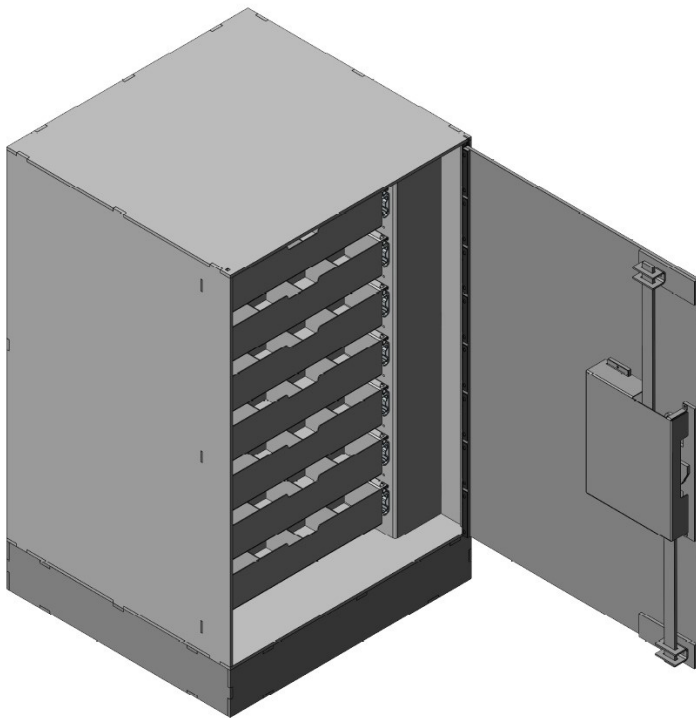
HAMILTON
BY **GUNNEBO**[®]

Pharmacy Locker

The Hamilton standard Pharmacy locker is designed to fit underneath any standard height pharmacy counter, allowing it to easily replace a set of drawers or an empty space in existing fixtures.



Dimensions: 33.58" x 23.75" x 22"
Right Swing
inc. 4.42" base



Fully customizable interior and exterior

INNOVATIVE DESIGN BENEFITS

- 1/4 INCH SOLID STEEL DOOR
- 1/4 INCH BODY
- PIANO HINGES FULL HEIGHT OF DOOR
- DEAD MAN BAR
- FLAT THREE POINT BOLTWORK
- 33-50 ELECTRONIC LOCK

FEATURES

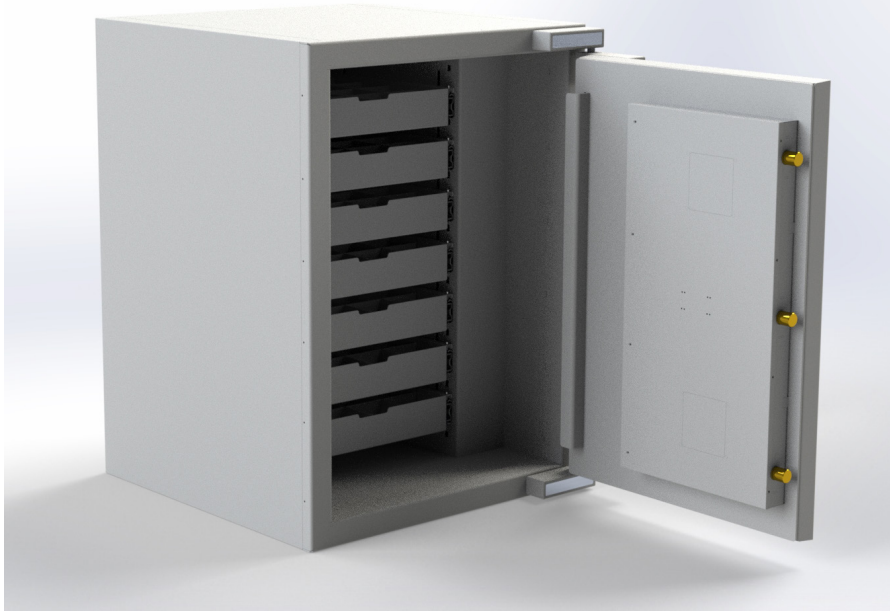
- 38" TO TOPSAFE WITH A 4" BASE BOLTED TO THE FLOOR
- FLEXIBLE INTERIOR WITH STANDARD OFFERING OF SEVEN REMOVABLE DRAWERS. ALSO AVAILABLE WITH DIVIDERS AND SHELVES
- HEAVY-DUTY TEXTURED FINISH PAINT
- STANDARD COLORS ARE WHITE, GREY, AND BLACK BUT CAN BE CUSTOMIZED FOR A COLOR MATCH
- 35-50 ELECTRONIC LOCK
- 2 MANAGER CODES AND 10 USER CODES



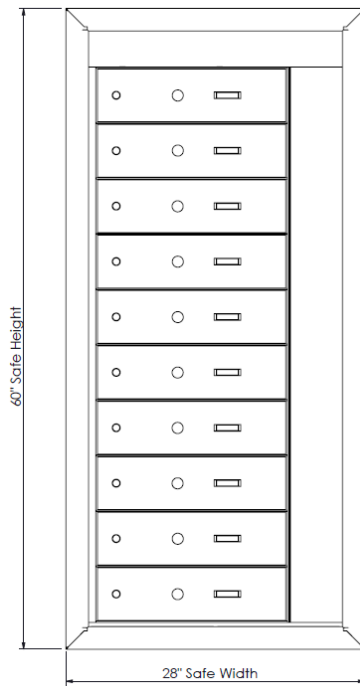
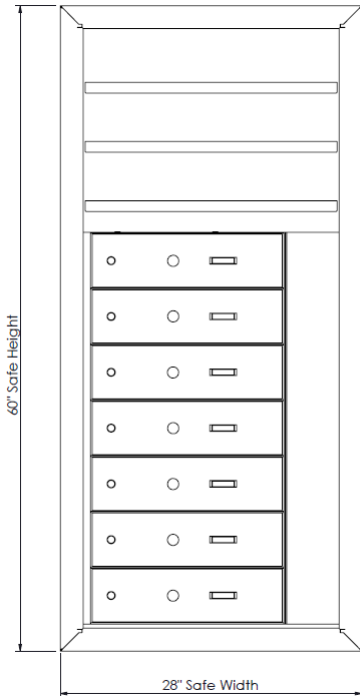
Composite Safes

An alternate to plate steel, composite safes have a body & door that consist of thin steel forms filled with high-performance, high-tech aggregate.

 **TWO-HOUR FIRE RATING**



POPULAR INTERIOR OPTIONS



INNOVATIVE DESIGN BENEFITS

- SECURITY RATINGS:**
- TL-15, TL-30, TL-30X6
 - 2-HOUR FIRE RATING

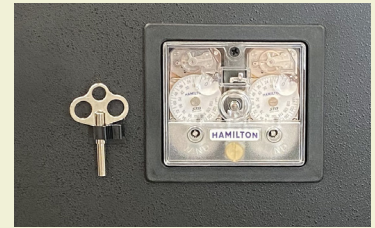


- BODY:**
- 2" COMPOSITE FOR TL-15 AND TL-30
 - 4" COMPOSITE FOR TL-30X6

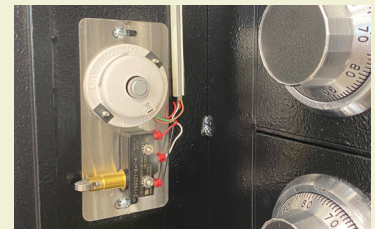
- DOOR:**
- TL-15 = 2" | TL-30 = 4"

- BOLTWORK:**
- SOLID STEEL BOLTS
 - MECHANICAL RELOCKER INCLUDED TO PROVIDE A SECONDARY DEFENSE

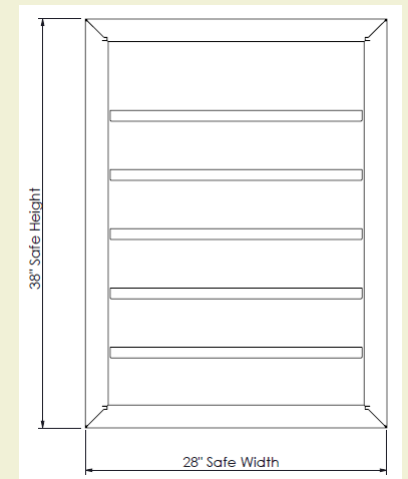
Additional options also available.



Time Lock



Heat Sensor



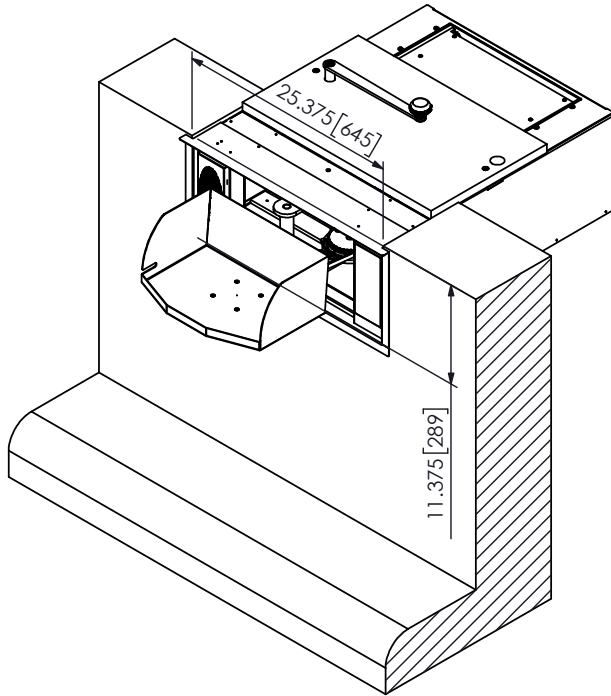
Pharmacy Drawer

The Bond Hill Manual Drawer is designed to pass small items between the customer and your team member. Built with rugged, high-performance stainless steel exterior for maximum security. Perfect for prescription containers and other small items.



Model
#SLCD-MAN

Masonry
Opening



OPTIONAL

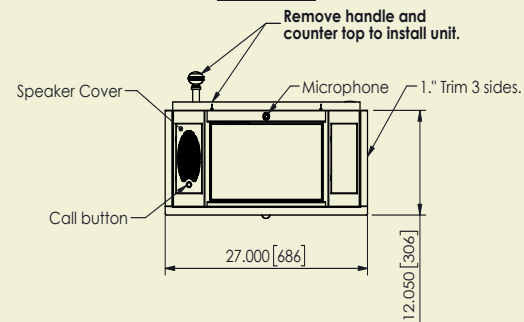
- Heater, Vehicle Detection, Plug & Play Audio, and Video

FEATURES

- RELIABLE: CYCLED OVER ONE MILLION TIMES
- SECURE: LOCKABLE FOR AFTER HOURS
- BALLISTIC RATING: SUBMITTED TO UL FOR LEVEL 3
- DRAWER SIZE: 15" W X 6"H X 7" D
- REACH: DRAWER EXTENSION ADJUSTABLE 7" TO 13 1/2"
- FINISH: STAINLESS STEEL AND BLACK LEATHERETTE
- LOW MAINTENANCE: SIMPLE MANUAL OPERATION
- ERGONOMIC: EASY AND COMFORTABLE TO OPERATE
- ENVIRONMENTAL: INNER DOOR SEALS AS OUTER DOOR OPENS



Plan View



Manufacturers and providers of the latest in drive-up systems, modular vaults, vault doors, night depositories, physical security containers, alarm systems, safe deposit boxes and surveillance equipment.

1030 Round Bottom Road Milford, OH
45150 Phone: 513.874.3733

hamiltonsecuritysolutions.com