

# SE4 Covert Camera

Discreet 4MP camera with High Dynamic Range (HDR) and height strip housing

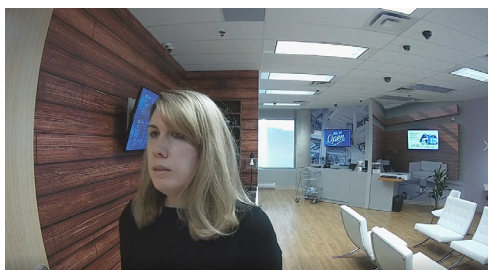


NDA compliant  
ONVIF | S

For customers looking for reliable, discreet surveillance, the **SE4 Covert Camera** from March Networks® delivers crystal-clear 4MP images at close range, even in bright light or near-dark conditions. The optional height strip housing allows the camera to be installed near a building's exit, so it is positioned directly at a person's face for more reliable identification, even when the person is wearing a hood or a hat.

## Key Benefits

- ▼ **Low-Profile surveillance.** The camera's modular design allows the encoder unit to be concealed inside a wall or ceiling, so only the inconspicuous lens is visible.
- ▼ **Height strip housing.** Mount the camera inside this housing to capture a detailed facial view, at eye level, as the person exits.
- ▼ **Digital Overlap High Dynamic Range (DOL-HDR).** The camera blends the best parts of three separate exposures together to combine the most focused, well-lit, and colorful parts of the scene.
- ▼ **QR Code.** Use the March Networks GURU smartphone app to scan the camera's QR code for instant product information, like serial number, warranty information, etc.
- ▼ **Save money on storage and bandwidth.** The camera's low bit rate (LBR) setting reduces storage and bandwidth usage by 50% or more in most applications; streams can drop below 1Mbps at 2MP (15 fps).



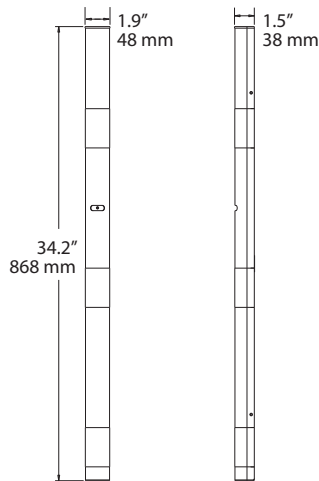
*Install in a height strip housing for crystal-clear face shots at eye level*

# SE4 Covert Camera

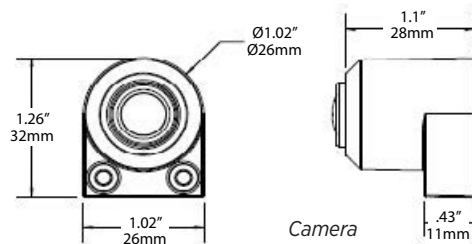
CAMERA	
Image Sensor	1/3" Progressive Scan CMOS
Effective Pixels	4MP; 2688 (H) x 1512 (V)
Lens	2.8mm, F2.0, fixed
Horizontal Field of View	107°
High Dynamic Range (HDR)	120dB
Minimum Illumination	Color: 0.1 lux; B/W: 0.01 lux
Shutter Speed	1-1/10000s
Backlight Compensation	On/Off
White Balance	Manual / AWB / ATW / One Push
VIDEO	
Video Compression	H.264, M-JPEG
Resolution	4MP (2688 x 1520), 3MP, 2MP (1080p), SXGA, 1.3MP (720p), XGA, SVGA, D1, VGA, CIF
Max Frame Rate	Up to 15fps @ 4MP 2688 x 1512, 30fps @ 3MP 2048 x 1536, 30fps @ 2MP 1920 x 1080
Video Streaming: Dual	H.264 4MP (2688 x 1512) @15fps + H.264 720p @ 15fps (one of the streams ≤2MP can be set as M-JPEG)
Quad	2MP (1920 x 1080) @15fps + H.264 720p @15fps + H.264 D1 @ 30fps + CIF @ 30fps
Sensor Settings	Exposure, White Balance, Picture Adjustment, Noise Reduction (3DNR, ColorNR), WDR Function, Digital Zoom, Profile, TV System
Video Rotation	90° 9:16, 180° 16:9
NETWORK	
Security	Password protection, HTTPS encryption (configuration only), IEEE 802.1X
Supported Protocols	IPv4/v6, TCP/IP, UDP, RTP, RTSP, HTTP, HTTPS, DHCP, QoS, ONVIF-S
Interface	10/100Mbps Ethernet
Internet Browser	Internet Explorer (10+)

SYSTEM INTEGRATION	
Physical Alarm I/O	One alarm input, one relay output
Intelligent Video	Video motion detection, active video tampering, privacy zones
Alarm Trigger	Motion detection, video tampering, external input
Alarm Events	Video recording to local storage, external output activation
GENERAL	
Power	PoE (802.3 af, Class 0) or 12VDC, 0.35A
Power Consumption	3W
LED Indicator	Power, Link, Activity
Connectors	Alarm I/O: 4-pin terminal block Power: DC Input Ethernet/PoE: RJ-45
Local Storage	micro SD/SDHC/SDXC memory card (up to 512GB, card sold separately)
Operating Conditions	-20°C - 55°C (-4°F - 131° F); 10-90% RH, non-condensing
Weight	0.27 lb (120g)
Dimensions	1.1 x 1.03 x 1.27 in (28 x 26.28 x 32.28 mm)
Certification Model	C4201A
Regulatory Approvals	EMC: EN 55032, CISPR 32, AS/NZS CISPR 32, FCC part 15 Subpart B, ICES-003, EN50130-4, EN55024 Safety: UL/CSA 62368-1, IEC/EN 62368-1
Environmental Directive Compliance	ROHS2 Directive 2011/65/EU and amendment (EU) 2015/863, WEEE Directive 2012/19/EU
Included Accessories	Quick Start Guide, mounting template, mounting hardware

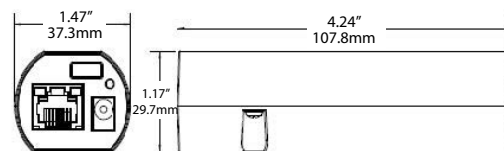
ORDERING INFORMATION	
<b>CAMERA</b>	
38398-101	SE4 Covert Camera
<b>HOUSING</b>	
38764	Height Strip Housing



Height Strip Mount



Camera



Encoder

**5-year warranty**

- Option for Advance Replacement or Repair & Return.
- No need to issue a PO prior to receiving the replacement.
- March Networks incurs all shipping costs – both ways – for Advance Replacements.