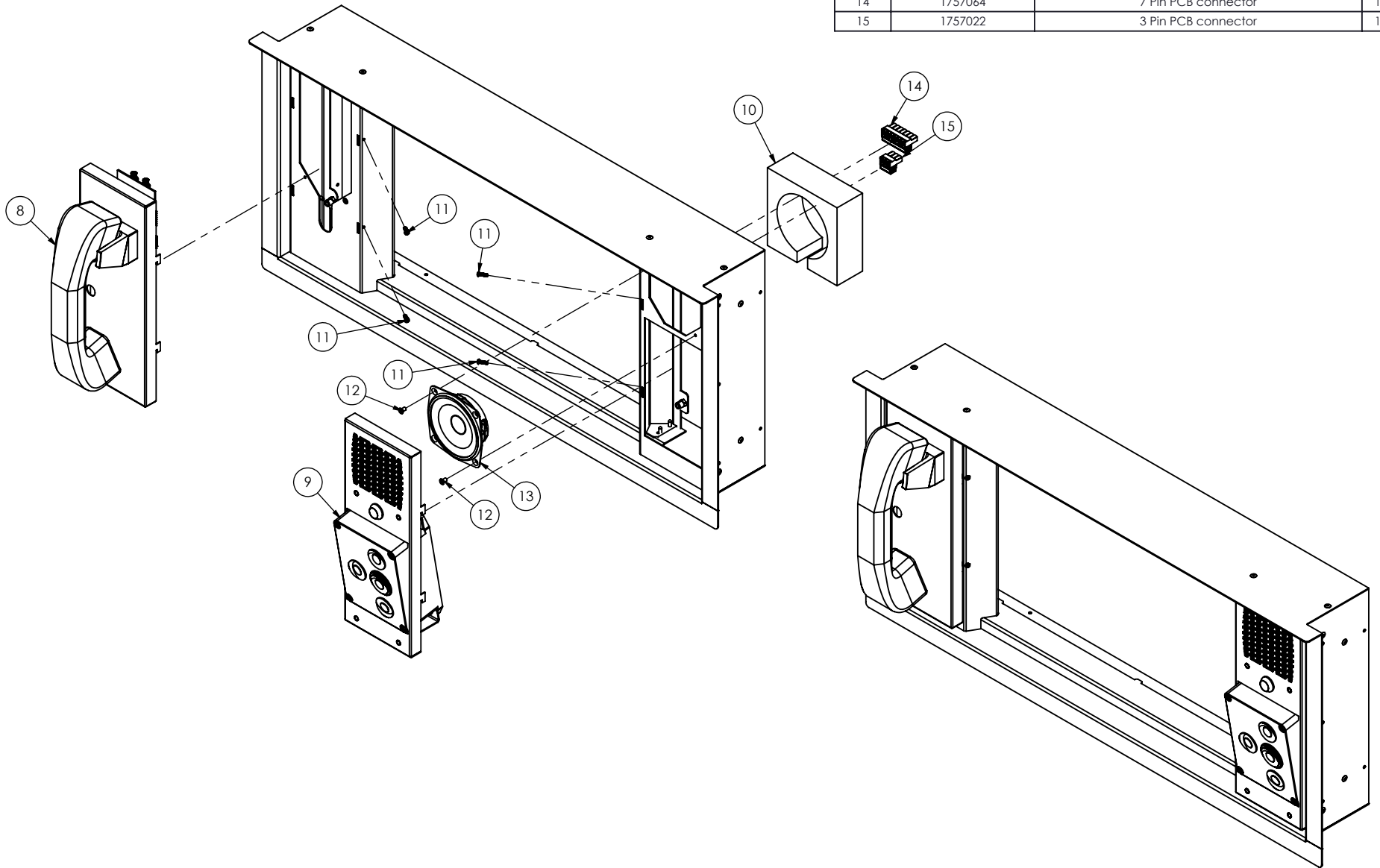
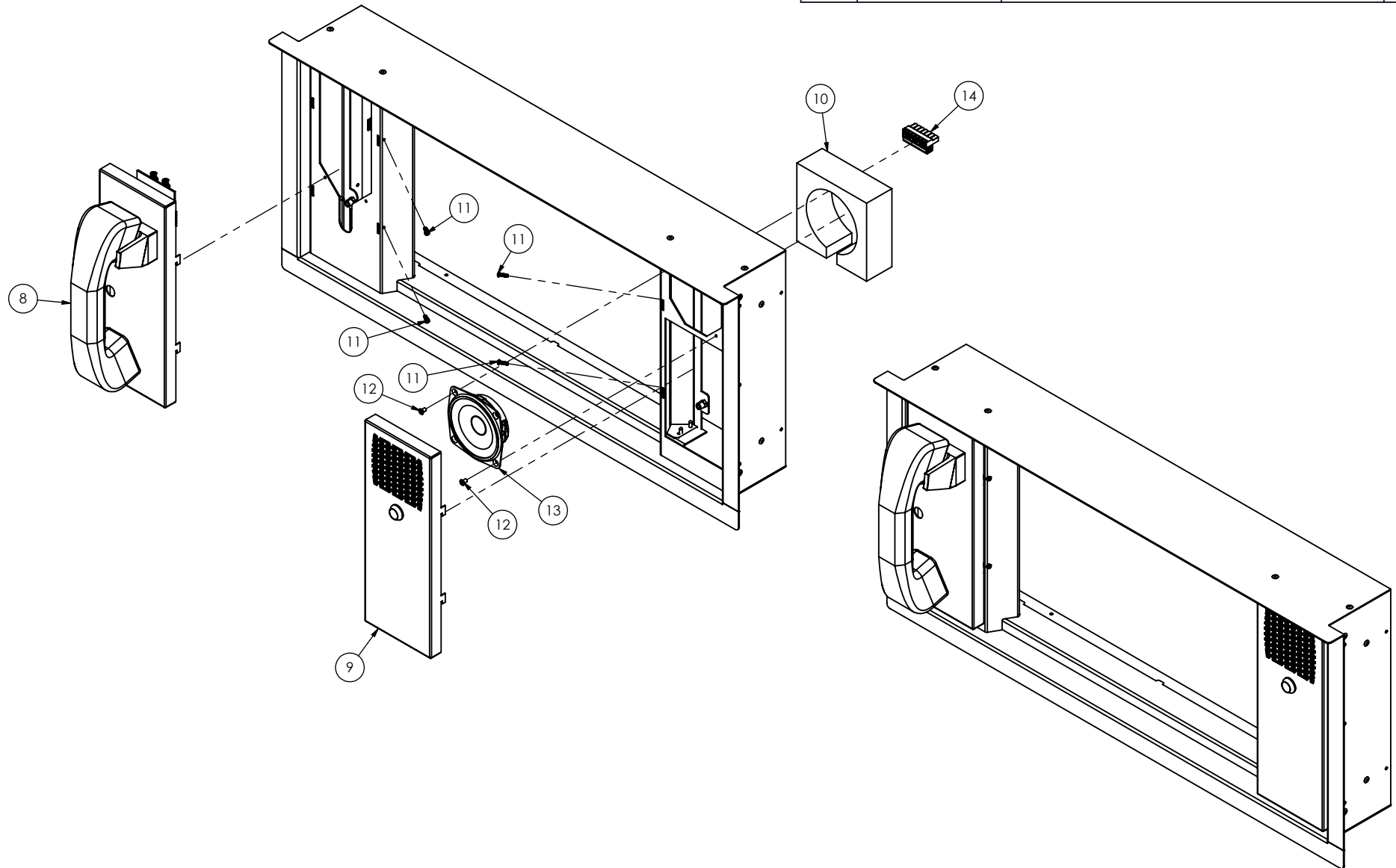


ITEM NO.	Part Number	Description	QTY.
8	DD8-SA-024-HS	Hand set Speaker Pod	1
9	DD8-SA-024-VDSP	Vehicle Detect w/ Speaker Pod	1
10	DD-A-006-2	ACOUSTIC FOAM, SPEAKER POD	1
11	91900A834	Tamper-Resistant BHTS 4-40 X .375	4
12	MXF6C25/S	CR-FHMS 0.138-32x0.25x0.25-N	2
13	B4956	3" Slim Speaker	1
14	1757064	7 Pin PCB connector	1
15	1757022	3 Pin PCB connector	1



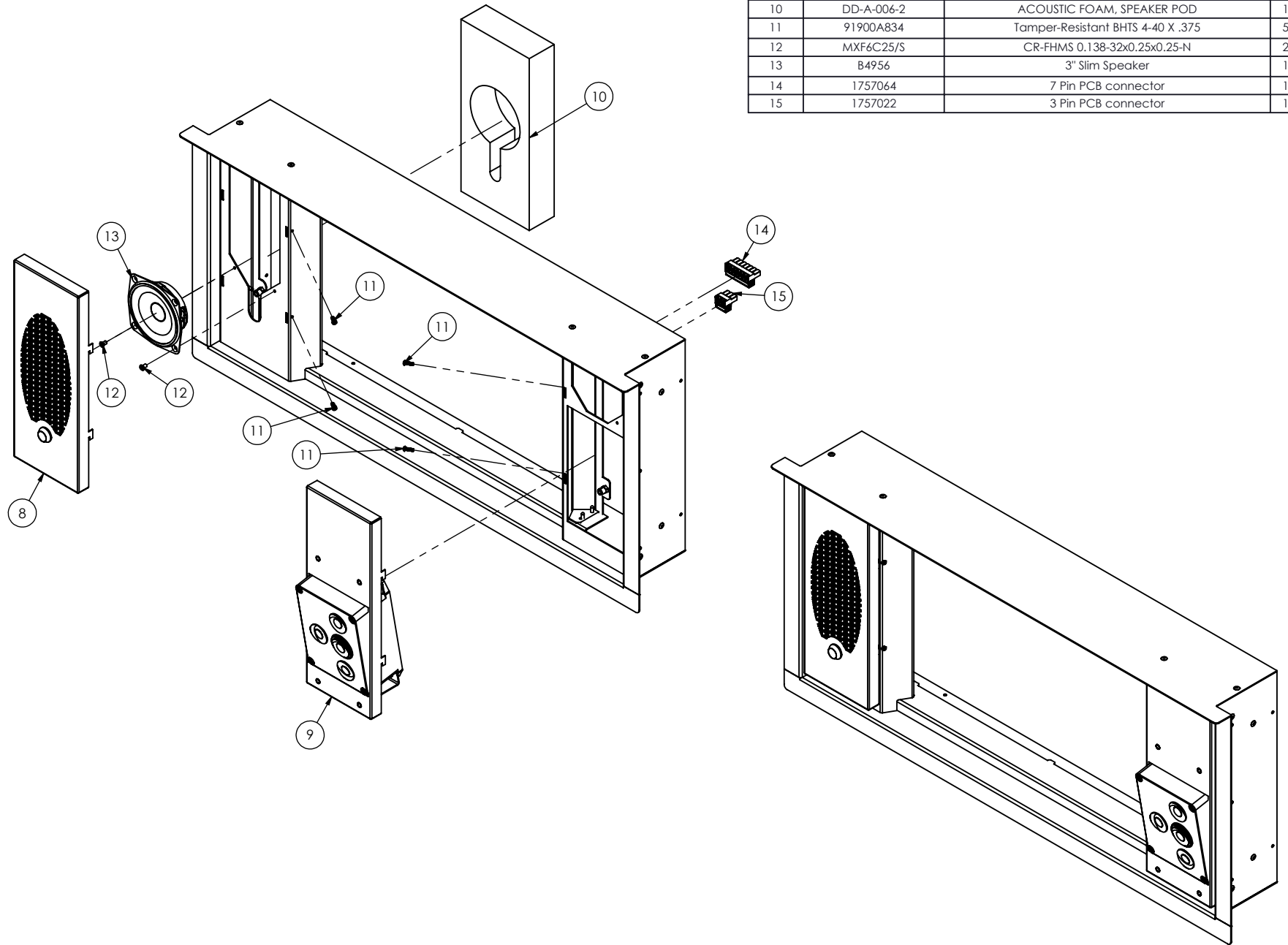
<h1>HAMILTON</h1> <p>BY GUNNEBO</p>	<small>PROPRIETARY AND CONFIDENTIAL THESE DRAWINGS ARE THE PROPERTY OF HAMILTON SAFE CO. AND SHALL NOT BE REPRODUCED, COPIED, USED AS THE BASIS FOR MANUFACTURE OR SALE OF APPARATUS WITHOUT PERMISSION</small>		<small>TITLE</small> SLCD Deal Drawer Front Fascia With Vehicle Detect And Hand Set Option
	<small>PART NUMBER</small> SLCD-VDHS		
	<small>DRAWN BY</small> SteBro	<small>DATE</small> 2/4/2021	<small>CHECKED BY</small> <small>DATE</small> <small>REVISION</small>

ITEM NO.	Part Number	Description	QTY.
8	DD8-SA-024-HS	Hand set Speaker Pod	1
9	DD8-SA-024-RSP	Right Speaker Pod	1
10	DD-A-006-2	ACOUSTIC FOAM, SPEAKER POD	1
11	91900A834	Tamper-Resistant BHTS 4-40 X .375	5
12	MXF6C25/S	CR-FHMS 0.138-32x0.25x0.25-N	2
13	B4956	3" Slim Speaker	1
14	1757064	7 Pin PCB connector	1



HAMILTON BY GUNNEBO ®	<small>PROPRIETARY AND CONFIDENTIAL THESE DRAWINGS ARE THE PROPERTY OF HAMILTON SAFE CO. AND SHALL NOT BE REPRODUCED, COPIED, USED AS THE BASIS FOR MANUFACTURE OR SALE OF APPARATUS WITHOUT PERMISSION</small>		<small>TITLE</small> SLCD Deal Drawer Front Fascia With Hand Set Option
	<small>PART NUMBER</small> SLCD-HS		<small>DATE CHECKED BY</small> 2/4/2021
<small>DRAWN BY</small> SteBro	<small>DATE</small> 2/4/2021	<small>CHECKED BY</small> 	<small>REVISION</small>

ITEM NO.	Part Number	Description	QTY.
8	DD8-SA-024-LSP	Left Speaker Pod	1
9	DD8-SA-024-VD	Vehicle Detect Pod	1
10	DD-A-006-2	ACOUSTIC FOAM, SPEAKER POD	1
11	91900A834	Tamper-Resistant BHTS 4-40 X .375	5
12	MXF6C25/S	CR-FHMS 0.138-32x0.25x0.25-N	2
13	B4956	3" Slim Speaker	1
14	1757064	7 Pin PCB connector	1
15	1757022	3 Pin PCB connector	1



<h1>HAMILTON</h1> <p>BY GUNNEBO</p>	<small>PROPRIETARY AND CONFIDENTIAL</small> <small>THESE DRAWINGS ARE THE PROPERTY OF HAMILTON SAFE CO. AND SHALL NOT BE REPRODUCED, COPIED, USED AS THE BASIS FOR MANUFACTURE OR SALE OF APPARATUS WITHOUT PERMISSION</small>		<small>TITLE</small> SLCD Deal Drawer Front Fascia With Vehicle Detect Option
	<small>PART NUMBER</small> SLCD-VD		<small>DATE</small> / <small>CHECKED BY</small> / <small>DATE</small> / <small>REVISION</small> SteBro / 2/4/2021 / /