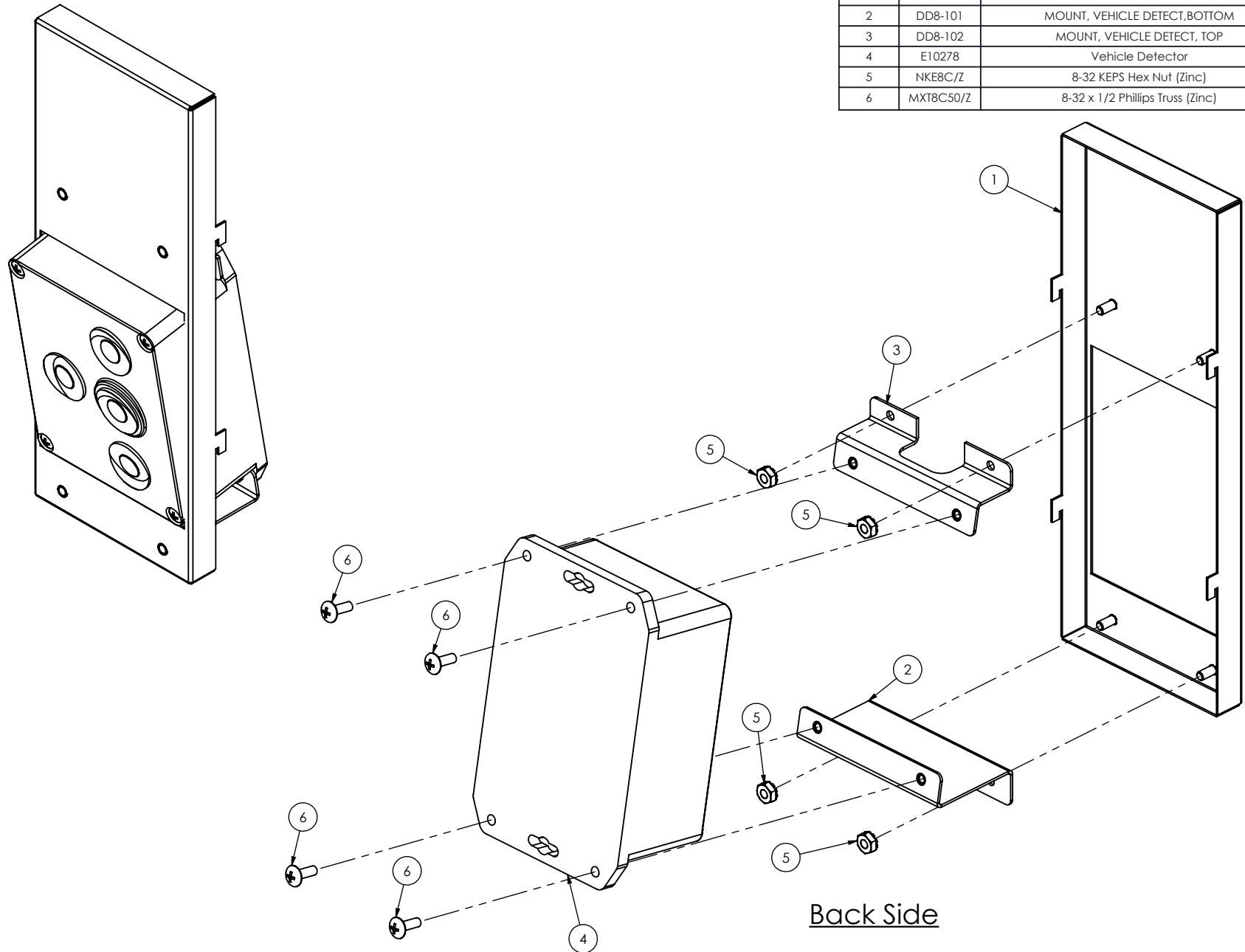


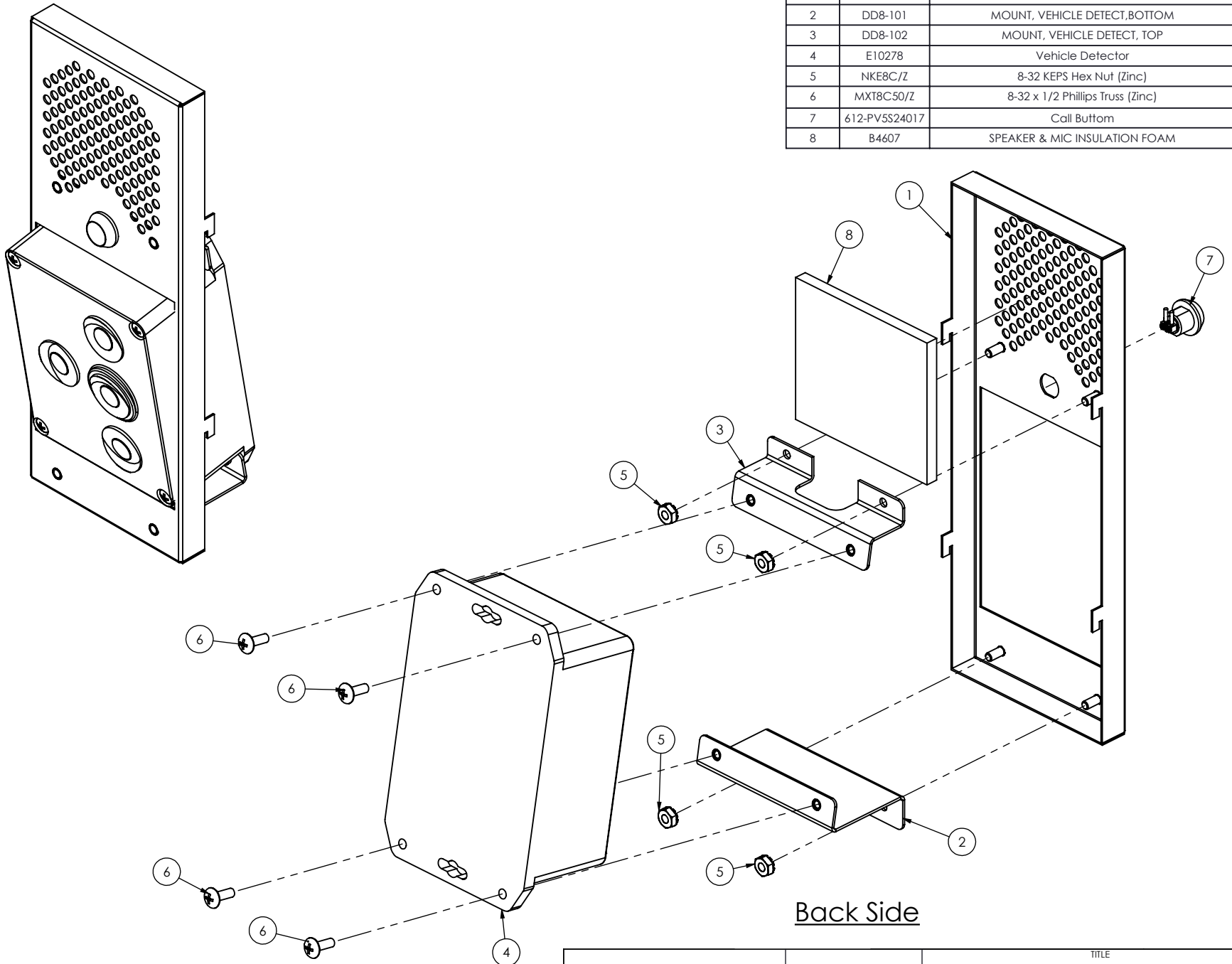
ITEM NO.	Part Number	Description	QTY.
1	DD8-134-5	POD COVER-VEHICLE DETECT ONLY	1
2	DD8-101	MOUNT, VEHICLE DETECT,BOTTOM	1
3	DD8-102	MOUNT, VEHICLE DETECT, TOP	1
4	E10278	Vehicle Detector	1
5	NKE8C/Z	8-32 KEPS Hex Nut (Zinc)	4
6	MXT8C50/Z	8-32 x 1/2 Phillips Truss (Zinc)	4



Back Side

<b>HAMILTON</b> BY <b>GUNNEBO</b>	PROPRIETARY AND CONFIDENTIAL THESE DRAWINGS ARE THE PROPERTY OF HAMILTON SAFE CO. AND SHALL NOT BE REPRODUCED, COPIED, USED AS THE BASIS FOR MANUFACTURE OR SALE OF APPARATUS WITHOUT PERMISSION				TITLE Pod Cover W/ Vehicle Detect Only	
	DRAWN BY SteBro		DATE 7/22/2024		CHECKED BY  	
		PART NUMBER DD8-SA-024-VD		REVISION		

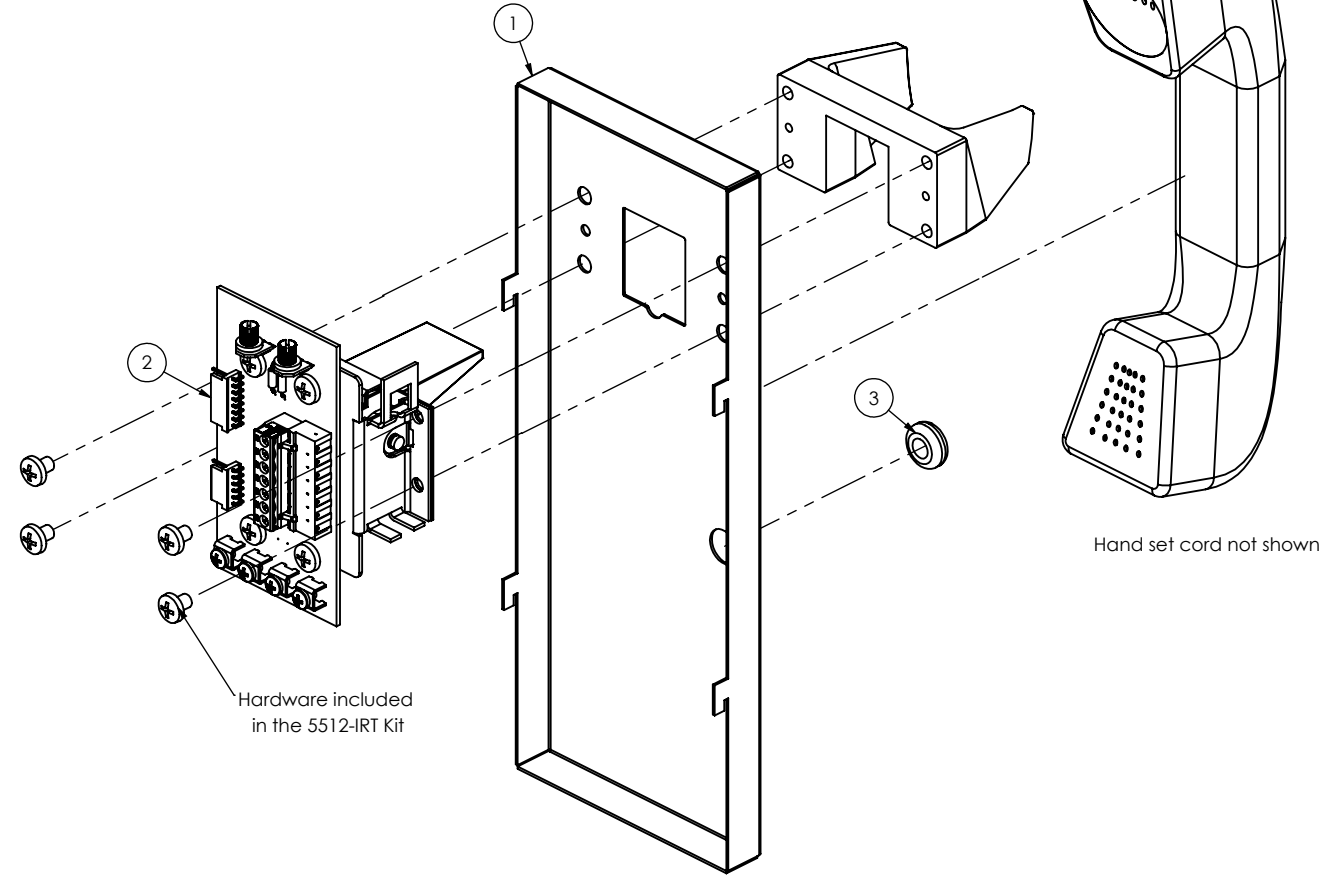
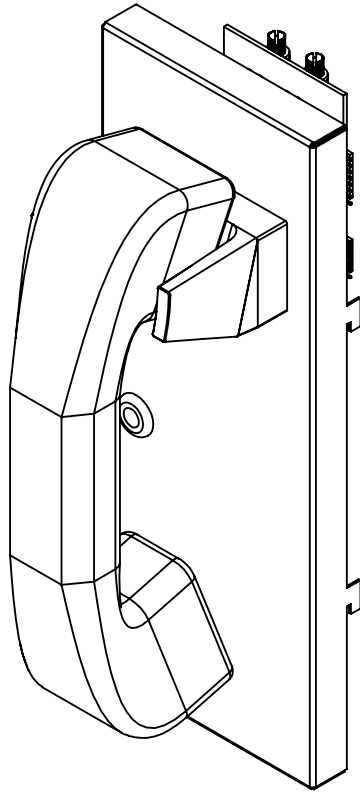
ITEM NO.	Part Number	Description	QTY.
1	DD8-134-1	POD COVER-VEHICLE DETECT WITH SPEAKER	1
2	DD8-101	MOUNT, VEHICLE DETECT,BOTTOM	1
3	DD8-102	MOUNT, VEHICLE DETECT, TOP	1
4	E10278	Vehicle Detector	1
5	NKE8C/Z	8-32 KEPS Hex Nut (Zinc)	4
6	MXT8C50/Z	8-32 x 1/2 Phillips Truss (Zinc)	4
7	612-PV5S24017	Call Button	1
8	B4607	SPEAKER & MIC INSULATION FOAM	1



Back Side

<b>HAMILTON</b> BY <b>GUNNEBO</b> ®	<small>PROPRIETARY AND CONFIDENTIAL          THESE DRAWINGS ARE THE PROPERTY          OF HAMILTON SAFE CO. AND SHALL          NOT BE REPRODUCED, COPIED, USED          AS THE BASIS FOR MANUFACTURE OR          SALE OF APPARATUS WITHOUT          PERMISSION</small>				<small>TITLE</small> Pod Cover, W/ Vehicle and Speaker	
	<small>PART NUMBER</small> DD8-SA-Q24-VDSP		<small>DRAWN BY</small> SteBro		<small>DATE</small> 7/22/2024	
		<small>CHECKED BY</small>		<small>DATE</small>		
		<small>REVISION</small>				

ITEM NO.	Part Number	Description	QTY.
1	DD8-134-2	POD COVER-HANDSET	1
2	5512-IRT	5512 Hand Set for IRT	1
3	9600K16	SBR Rubber Grommet 7/16" Hole Diameter and 1/16" Material Thickness, 9/32" ID	1



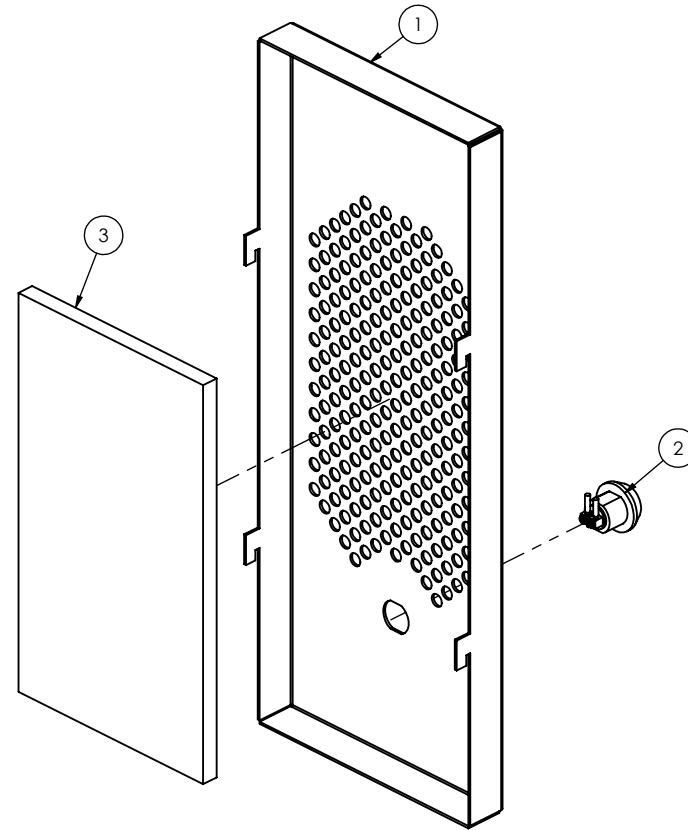
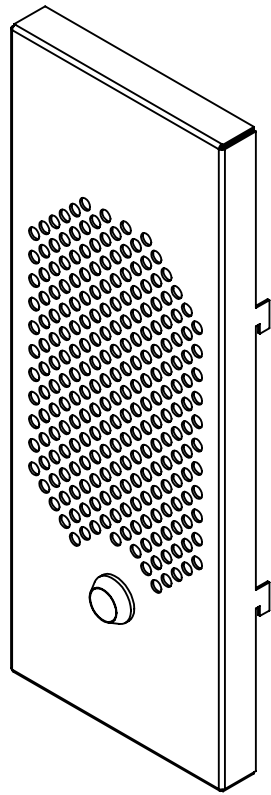
Hardware included in the 5512-IRT Kit

Hand set cord not shown

Back Side

<b>HAMILTON</b> BY <b>GUNNEBO</b>	PROPRIETARY AND CONFIDENTIAL THESE DRAWINGS ARE THE PROPERTY OF HAMILTON SAFE CO. AND SHALL NOT BE REPRODUCED, COPIED, USED AS THE BASIS FOR MANUFACTURE OR SALE OF APPARATUS WITHOUT PERMISSION		TITLE Pod Cover W/ Vehicle Detect Only	
			PART NUMBER DD8-SA-024-HS	
DRAWN BY SteBro	DATE 7/22/2024	CHECKED BY	DATE	REVISION

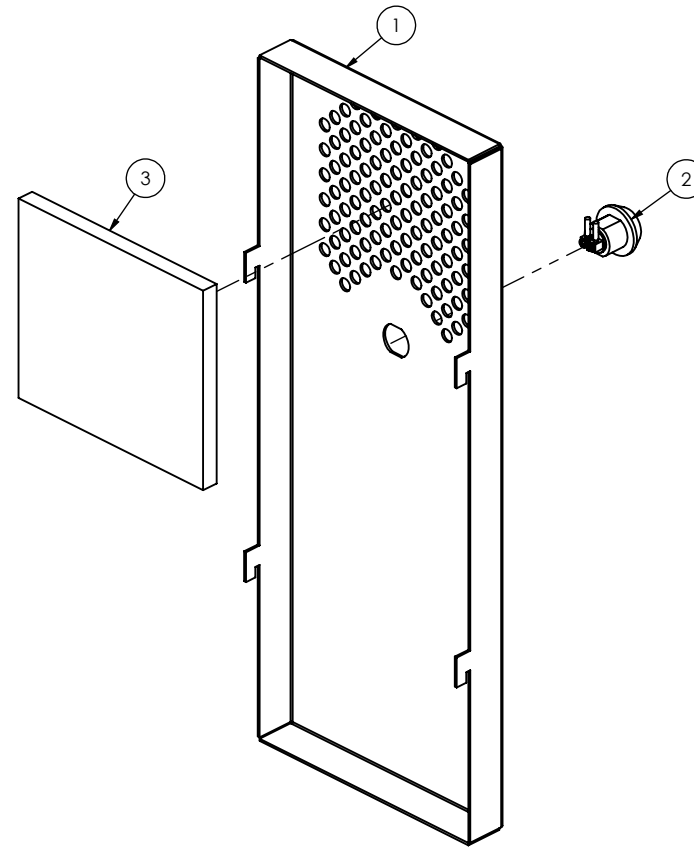
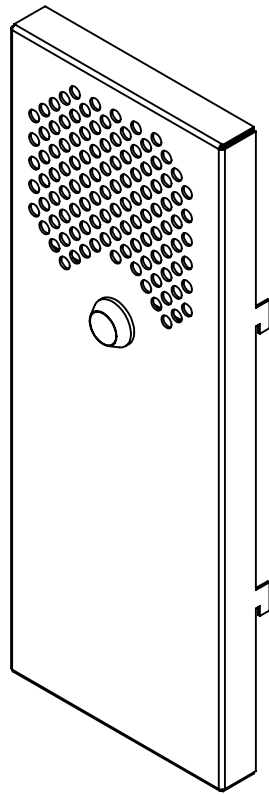
ITEM NO.	Part Number	Description	QTY.
1	DD8-134-4	POD COVER-SPEAKER AND CALL ON LEFT	1
2	612-PV5S24017	Call Button	1
3	B4607	SPEAKER & MIC INSULATION FOAM	1



Back Side

<b>HAMILTON</b> BY <b>GUNNEBO</b>	PROPRIETARY AND CONFIDENTIAL THESE DRAWINGS ARE THE PROPERTY OF HAMILTON SAFE CO. AND SHALL NOT BE REPRODUCED, COPIED, USED AS THE BASIS FOR MANUFACTURE OR SALE OF APPARATUS WITHOUT PERMISSION	TITLE Pod Cover W/ Vehicle Detect Only	
	PART NUMBER DD8-SA-024-LSP		DATE 7/22/2024
DRAWN BY SteBro	CHECKED BY SteBro	DATE 7/22/2024	REVISION

ITEM NO.	Part Number	Description	QTY.
1	DD8-134-6	POD COVER-SPEAKER AND CALL ON RIGHT	1
2	612-PV5S24017	Call Button	1
3	B4607	SPEAKER & MIC INSULATION FOAM	1



Back Side

<b>HAMILTON</b> BY <b>GUNNEBO</b>	PROPRIETARY AND CONFIDENTIAL THESE DRAWINGS ARE THE PROPERTY OF HAMILTON SAFE CO. AND SHALL NOT BE REPRODUCED, COPIED, USED AS THE BASIS FOR MANUFACTURE OR SALE OF APPARATUS WITHOUT PERMISSION				TITLE Pod Cover W/ Vehicle Detect Only	
	DRAWN BY SteBro		DATE 7/22/2024		CHECKED BY  DATE  REVISION	
		PART NUMBER DD8-SA-024-RSP				