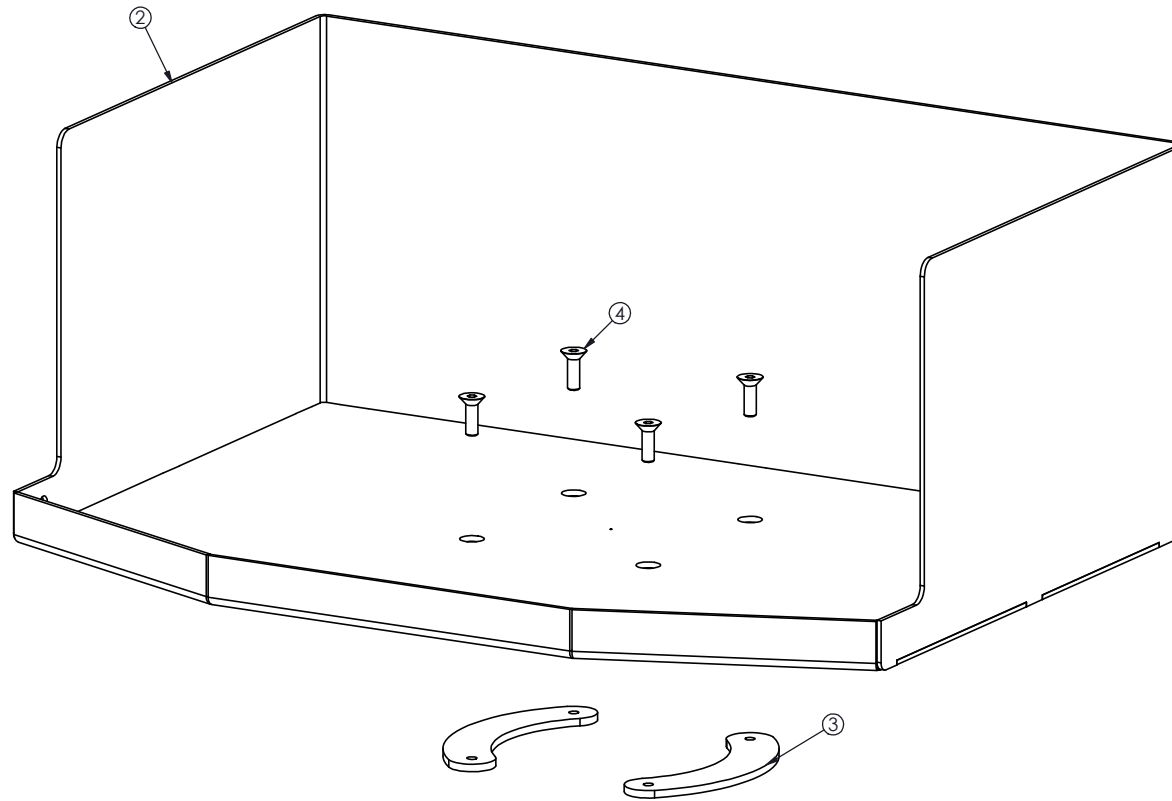


ITEM NO.	PART NUMBER	GAGE	DESCRIPTION	QTY.
1	DD8-111	14 GA HRPO	BOTTOM PLATE, TRAY	1
2	DD8-110	14 GA HRPO	TRAY WRAP	1
3	DD8-57	11 GA SS	TRAY RETAINER	2
4	KFC10C62/Z		10-32 x 5/8 SOC, FL, HD, SC	4
5	DD8-SA-020-1 3D		3D PDF	



est. 1967 HAMILTON CUSTOM MADE SECURITY	PROPRIETARY AND CONFIDENTIAL THESE DRAWINGS ARE THE PROPERTY OF HAMILTON SAFE CO. AND SHALL NOT BE REPRODUCED, COPIED, USED AS THE BASIS FOR MANUFACTURE OR SALE OF APPARATUS WITHOUT PERMISSION	TITLE TRAY, STANDARD DRAWER	
	All Weld Notes Comply With AWS A2.4-98 Standards	DRAWN BY diocul	DATE 6/25/2024
		PART NUMBER DD8-SA-020-1	