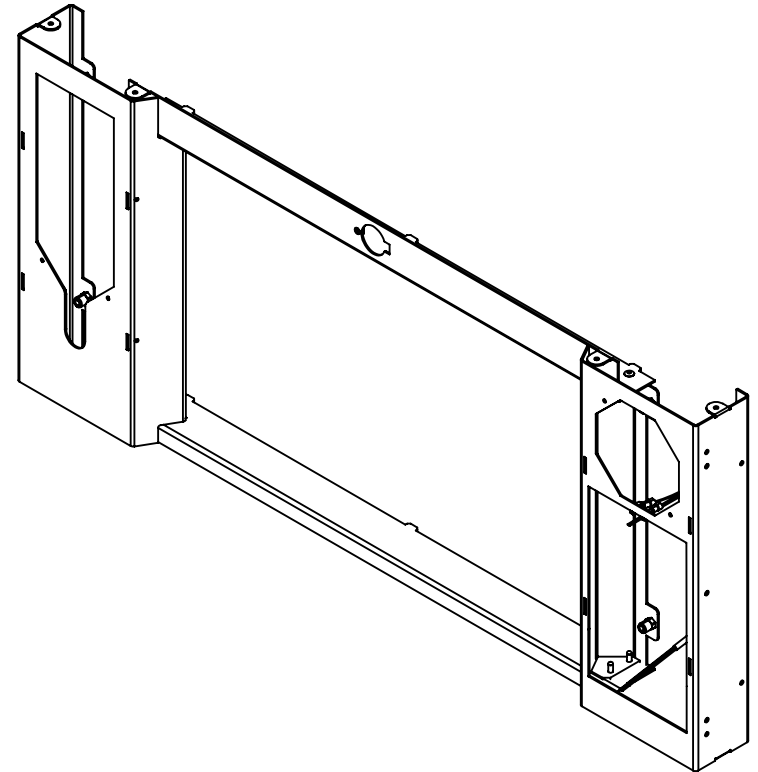
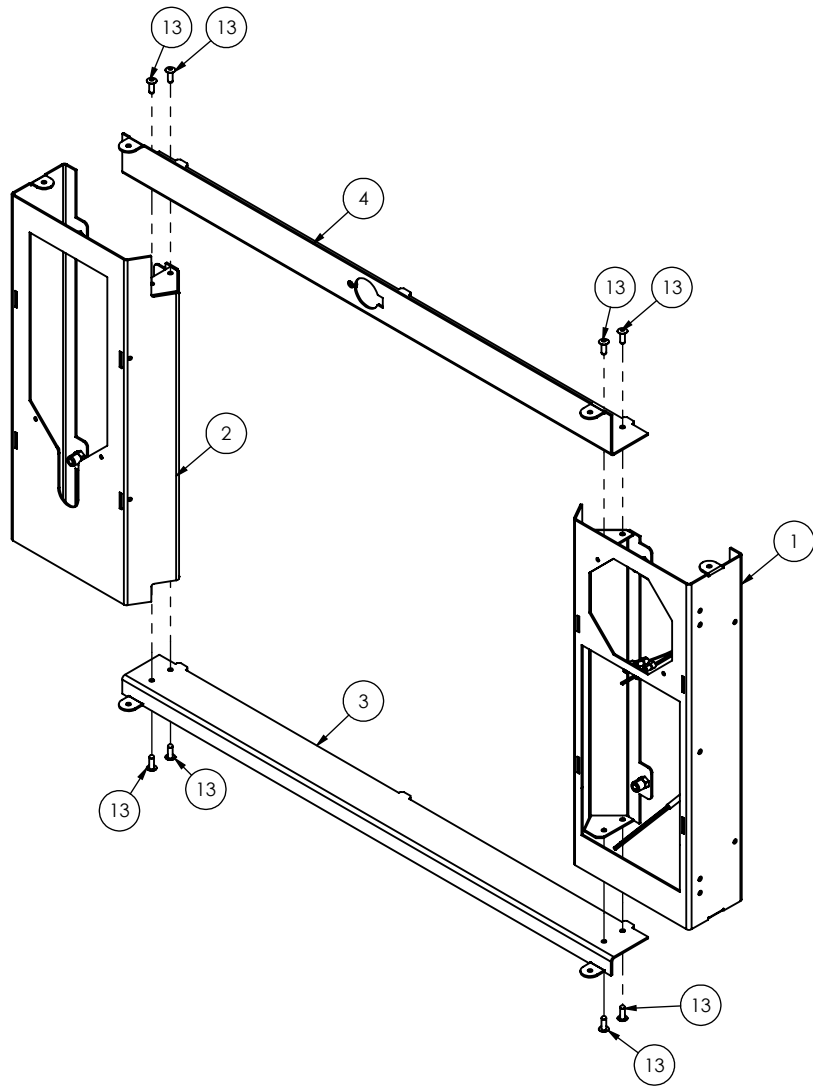
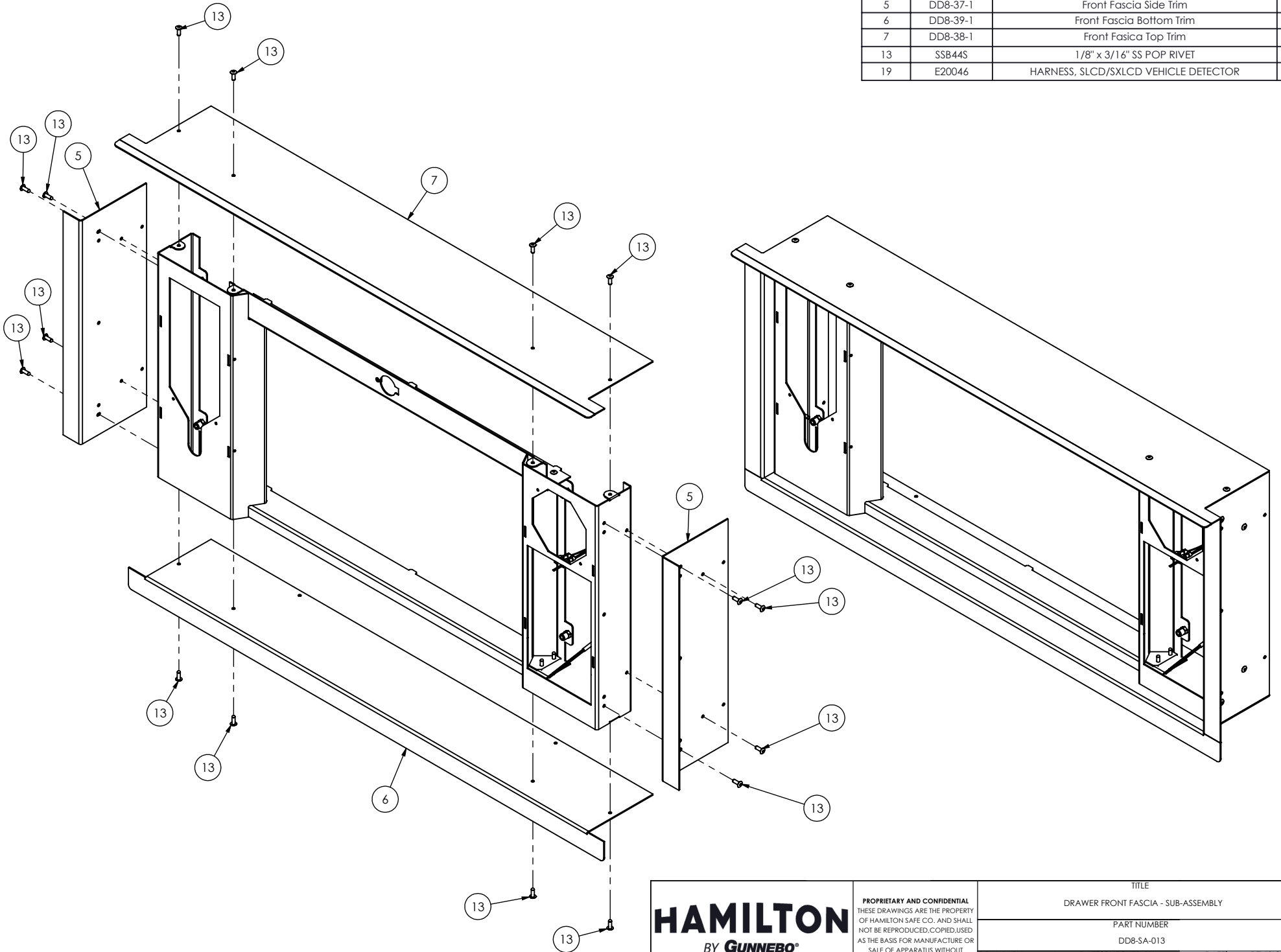


ITEM NO.	Part Number	Description	QTY.
1	DD8-34-3	SLCD Front Fascia Pod	1
2	DD8-34-4	SLCD Front Fascia Pod	1
3	DD8-35-4	Front Fascia Channel	4
4	DD8-35-3	Front Fascia Channel	1
13	SSB44S	1/8" x 3/16" SS POP RIVET	24
19	E20046	HARNESS, SLCD/SXLCD VEHICLE DETECTOR	1



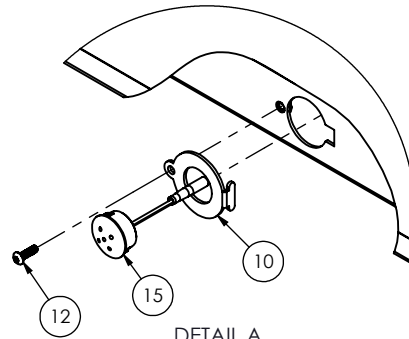
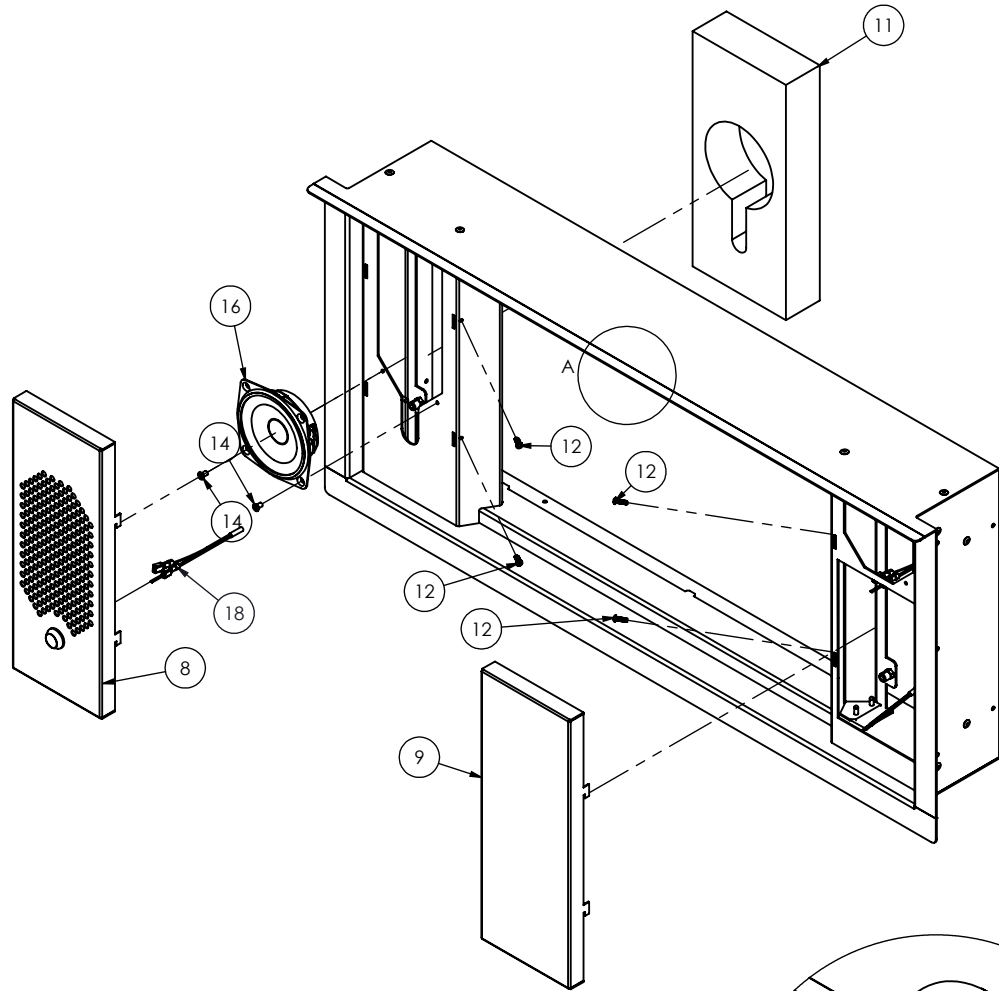
HAMILTON BY GUNNEBO	PROPRIETARY AND CONFIDENTIAL THESE DRAWINGS ARE THE PROPERTY OF HAMILTON SAFE CO. AND SHALL NOT BE REPRODUCED, COPIED, USED AS THE BASIS FOR MANUFACTURE OR SALE OF APPARATUS WITHOUT PERMISSION				TITLE DRAWER FRONT FASCIA - SUB-ASSEMBLY		
	PART NUMBER DD8-SA-013		DRAWN BY SteBro		DATE 2/4/2021		
		CHECKED BY		DATE		REVISION	

ITEM NO.	Part Number	Description	QTY.
5	DD8-37-1	Front Fascia Side Trim	2
6	DD8-39-1	Front Fascia Bottom Trim	1
7	DD8-38-1	Front Fascia Top Trim	1
13	SSB44S	1/8" x 3/16" SS POP RIVET	24
19	E20046	HARNESS, SLCD/SXLCD VEHICLE DETECTOR	1

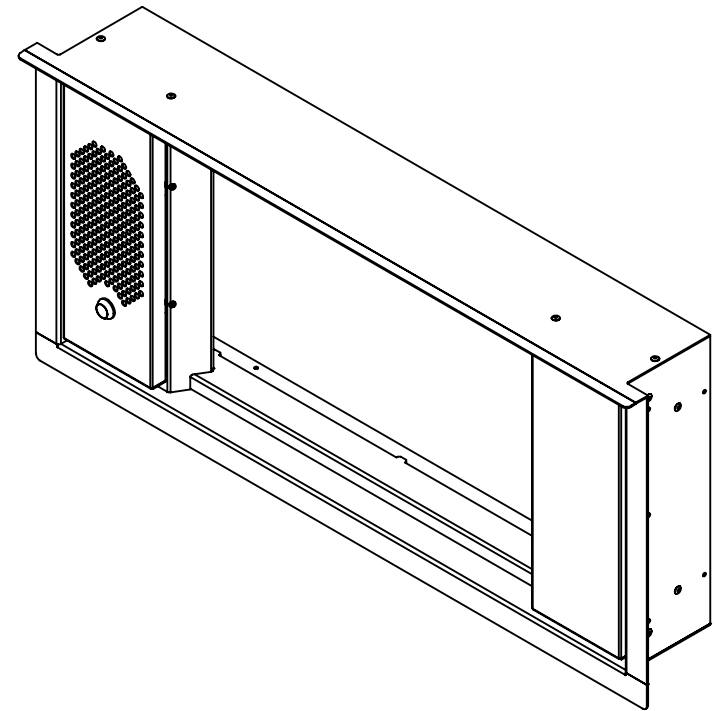


	<small>PROPRIETARY AND CONFIDENTIAL THESE DRAWINGS ARE THE PROPERTY OF HAMILTON SAFE CO. AND SHALL NOT BE REPRODUCED, COPIED, USED AS THE BASIS FOR MANUFACTURE OR SALE OF APPARATUS WITHOUT PERMISSION</small>			
	TITLE DRAWER FRONT FASCIA - SUB-ASSEMBLY			
PART NUMBER DD8-SA-013				
<small>DRAWN BY</small> SteBro	<small>DATE</small> 2/4/2021	<small>CHECKED BY</small>	<small>DATE</small>	<small>REVISION</small>

ITEM NO.	Part Number	Description	QTY.
8	DD8-SA-024-LSP	Left Speaker Pod	1
9	DD8-134-3	POD COVER	1
10	DD8-126-1	Mount, Microphone	1
11	DD-A-006-2	ACOUSTIC FOAM, SPEAKER POD	1
12	91900A834	Tamper-Resistant BHTS 4-40 X .375	5
14	MXF6C25/S	CR-FHMS 0.138-32x0.25x0.25-N	2
15	E20045	MICROPHONE SUB ASSEMBLY	1
16	B4956	3" Slim Speaker	1
18	E20044	Harness, Audio-Speaker, Call Buttom, to Fascia	2
19	E20046	HARNESS, SLCD/SXLCD VEHICLE DETECTOR	1

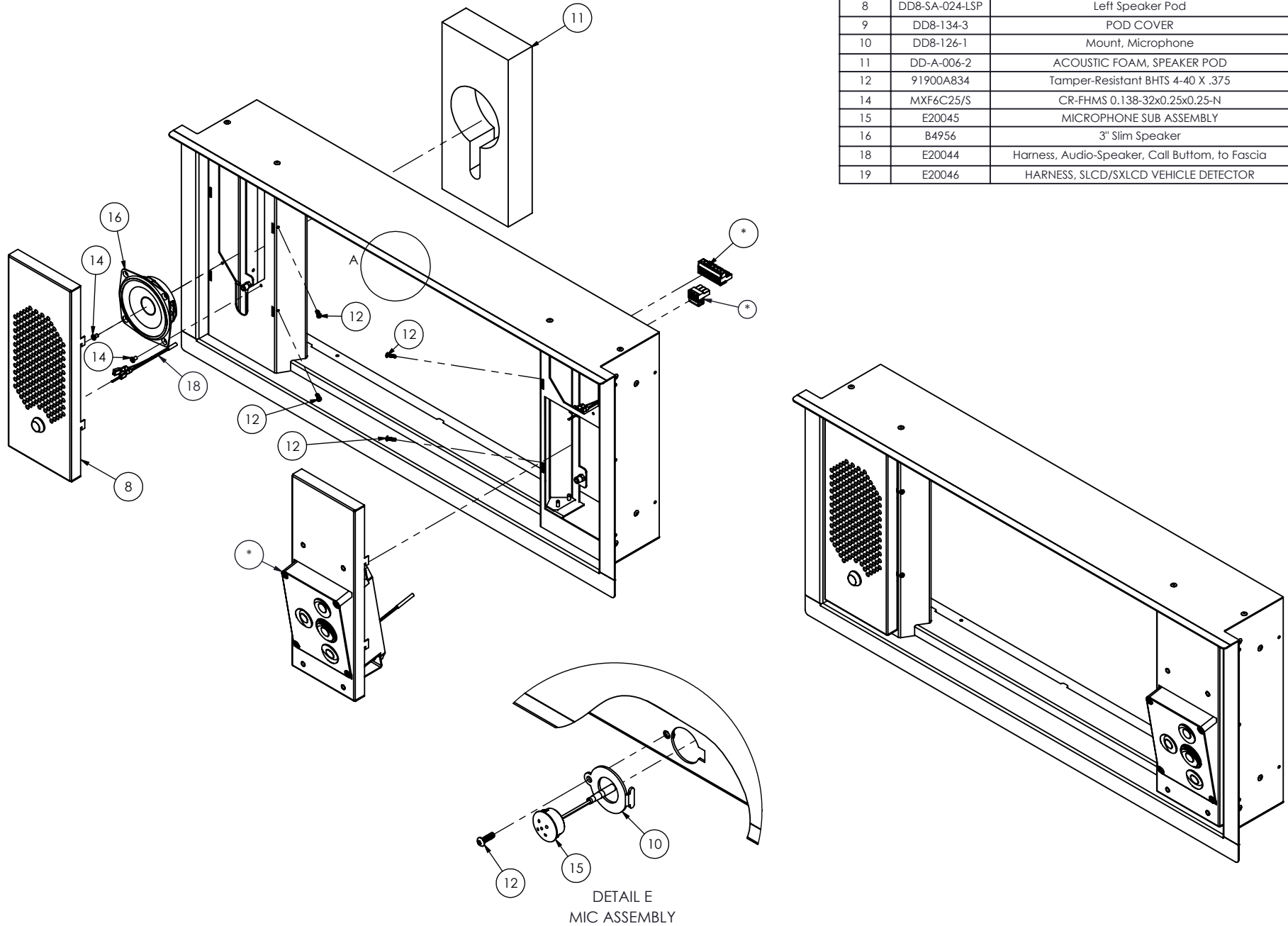


DETAIL A
MIC ASSEMBLY



HAMILTON BY GUNNEBO	<small>PROPRIETARY AND CONFIDENTIAL</small> <small>THESE DRAWINGS ARE THE PROPERTY OF HAMILTON SAFE CO. AND SHALL NOT BE REPRODUCED, COPIED, USED AS THE BASIS FOR MANUFACTURE OR SALE OF APPARATUS WITHOUT PERMISSION</small>		<small>TITLE</small> DRAWER FRONT FASCIA - SUB-ASSEMBLY
	<small>PART NUMBER</small> DD8-SA-013		<small>DATE</small> / <small>CHECKED BY</small> / <small>DATE</small> / <small>REVISION</small> SteBro / 2/4/2021 / /

ITEM NO.	Part Number	Description	QTY.
8	DD8-SA-024-LSP	Left Speaker Pod	1
9	DD8-134-3	POD COVER	1
10	DD8-126-1	Mount, Microphone	1
11	DD-A-006-2	ACOUSTIC FOAM, SPEAKER POD	1
12	91900A834	Tamper-Resistant BHTS 4-40 X .375	5
14	MXF6C25/S	CR-FHMS 0.138-32x0.25x0.25-N	2
15	E20045	MICROPHONE SUB ASSEMBLY	1
16	B4956	3" Slim Speaker	1
18	E20044	Harness, Audio-Speaker, Call Buttom, to Fascia	2
19	E20046	HARNESS, SLCD/SXLCD VEHICLE DETECTOR	1



DETAIL E
MIC ASSEMBLY

	<small>PROPRIETARY AND CONFIDENTIAL</small> <small>THESE DRAWINGS ARE THE PROPERTY OF HAMILTON SAFE CO. AND SHALL NOT BE REPRODUCED, COPIED, USED AS THE BASIS FOR MANUFACTURE OR SALE OF APPARATUS WITHOUT PERMISSION</small>		<small>TITLE</small> DRAWER FRONT FASCIA - SUB-ASSEMBLY
	<small>PART NUMBER</small> DD8-SA-013		<small>DATE</small>
<small>DRAWN BY</small> SteBro	<small>DATE</small> 2/4/2021	<small>CHECKED BY</small>	<small>DATE</small>
		<small>REVISION</small>	