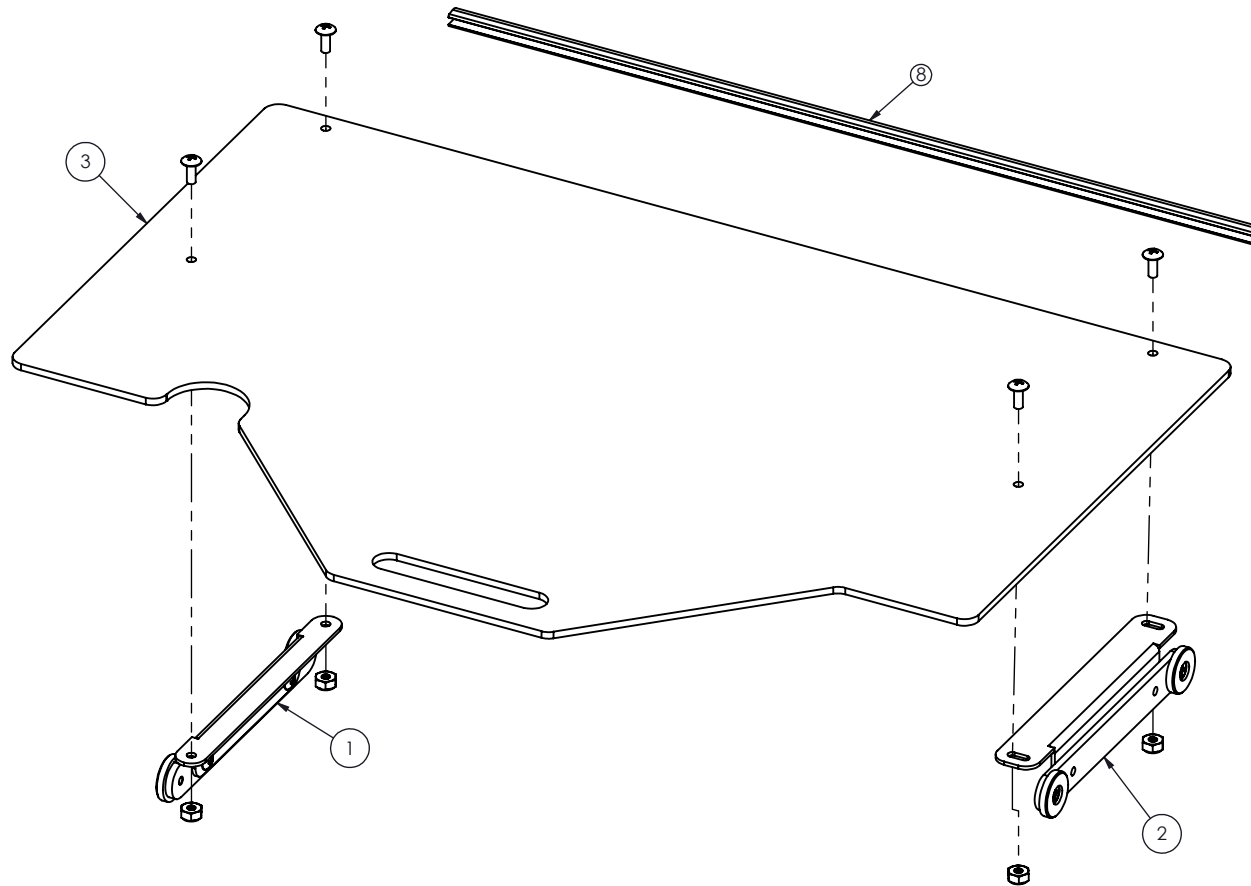


ITEM NO.	PART NUMBER	DESCRIPTION	QTY.
1	DD8-SA-012		1
2	DD8-SA-014		1
3	DD8-40-P	AUTO REAR DOOR	1
4	MXT6C37/SBO	6-32 x 3/8 PH, TRS, HD, SC-BLACK	4
5	NME6C/Z	6-32 Hex Nylon Lock Nut	4
6	DD8-SA-010 REAR DOOR	DOOR GUIDE LEFT, SUB-ASSEMBLY	
7	DD8-SA-010 3D	GUIDE ASSEMBLY RIGHT, REAR DOOR	
8	B10280	EDGE TRIM (REAR DOOR) 14 1/2"	1



est. 1967 HAMILTON CUSTOM MADE SECURITY	PROPRIETARY AND CONFIDENTIAL THESE DRAWINGS ARE THE PROPERTY OF HAMILTON SAFE CO. AND SHALL NOT BE REPRODUCED, COPIED, USED AS THE BASIS FOR MANUFACTURE OR SALE OF APPARATUS WITHOUT PERMISSION	TITLE REAR DOOR	
	All Weld Notes Comply With AWS A2.4-98 Standards	DRAWN BY DPC	DATE 2/3/2021