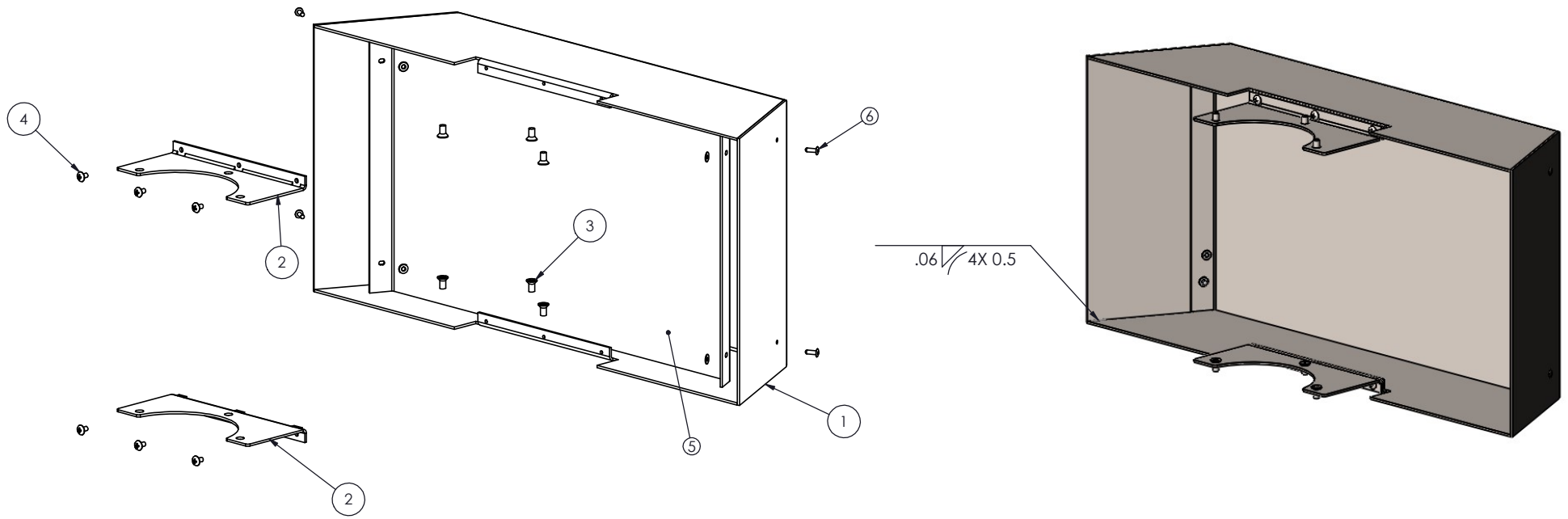


| ITEM NO. | PART NUMBER | GAGE | DESCRIPTION | QTY. |
|----------|-------------|----------|-----------------------------|------|
| 1 | DD8-25-1 | 14 GA SS | Front Door | 1 |
| 2 | DD8-09-1 | 14 GA SS | Front Door Attaching Angle | 2 |
| 3 | MXP10C37/Z | | 10-32-x 3/8 PH, FT, HD, SC | 6 |
| 4 | MXT6C25/Z | | 6-32 x 1/4 PH, TRS, HD, SC | 6 |
| 5 | DD8-124-1 | 14 GA SS | SHOT GUARD, FRONT DOOR | 1 |
| 6 | SSB44S | | 1/8" POP RIVET | 4 |
| 7 | 92141A005 | | 18-8 Stainless Steel Washer | 5 |



| | | | |
|--|--|--|------------------|
| est. 1967 HAMILTON CUSTOM MADE SECURITY | PROPRIETARY AND CONFIDENTIAL THESE DRAWINGS ARE THE PROPERTY OF HAMILTON SAFE CO. AND SHALL NOT BE REPRODUCED, COPIED, USED AS THE BASIS FOR MANUFACTURE OR SALE OF APPARATUS WITHOUT PERMISSION | TITLE DOOR SUB-ASSEMBLY-STANDARD DRAWER | |
| | All Weld Notes Comply With AWS A2.4-98 Standards | PART NUMBER DD8-SA-006-1 | DATE 2/1/2021 |
| DRAWN BY DPC | CHECKED BY | DATE | REVISION |