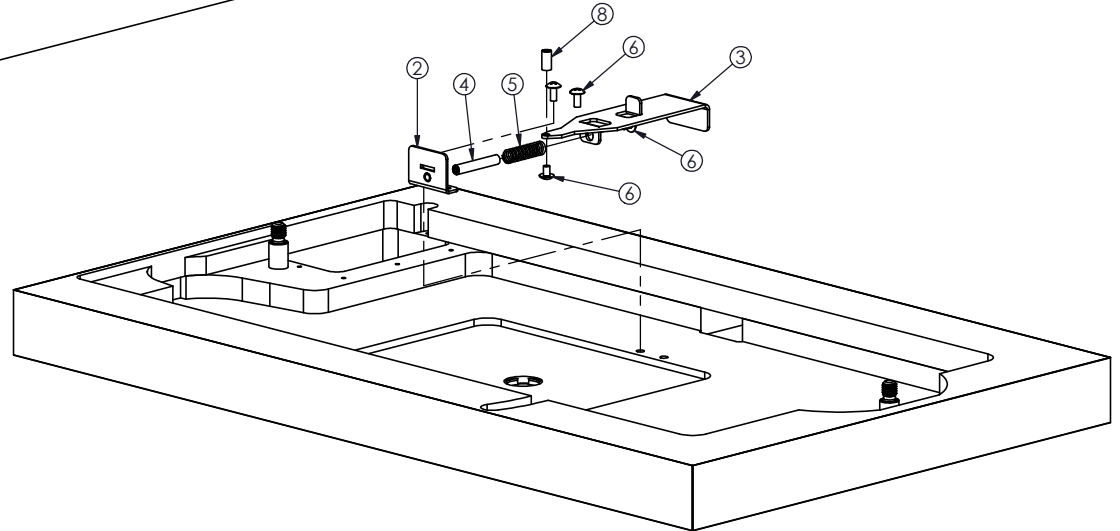
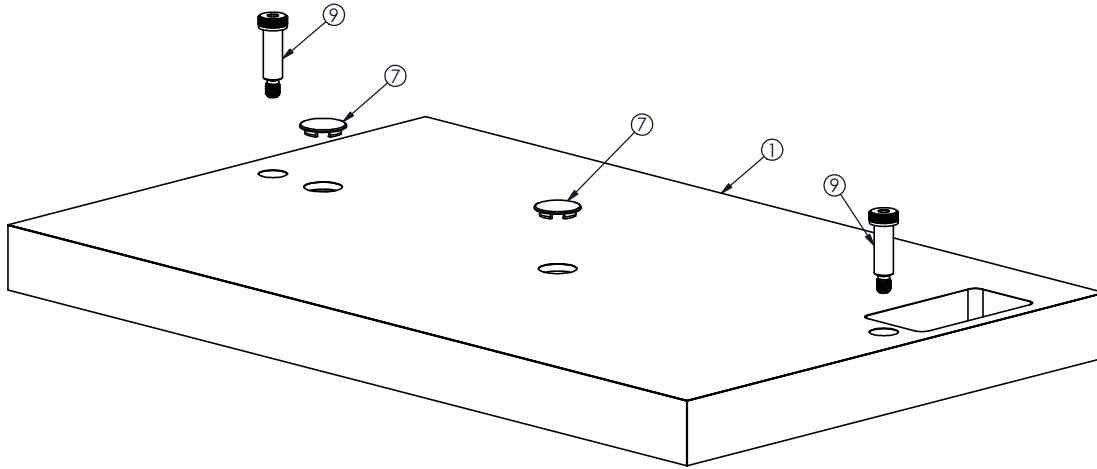


ITEM NO.	PART NUMBER	DESCRIPTION	QTY.
1	DD8-42-M	COUNTER TOP-MOTORIZED	1
2	DDMD-28	GUIDE, LATCH RELEASE	1
3	DDMD-29	RELEASE, MOTOR DRIVE	1
4	93330A482	Female Threaded Round Standoff	1
5	9657K333	SPRING, DRAWER LATCH	1
6	MXT8C25/Z	8-32 x 1/4 Phillips Truss MS (SS)	4
7	9688K31	Nylon Plastic Snap-in Panel Plugs	2
8	93330A455	Female Threaded Round Standoff	1
9	DD8-139	Alloy Steel Shoulder Screw	2



HAMILTON BY GUNNEBO	PROPRIETARY AND CONFIDENTIAL THESE DRAWINGS ARE THE PROPERTY OF HAMILTON AND SHALL NOT BE REPRODUCED, COPIED, USED AS THE BASIS FOR MANUFACTURE OR SALE OF APPARATUS WITHOUT PERMISSION		TITLE Counter Top, Motorized Drawers	
	All Weld Notes Comply With AWS A2.4-98 Standards		PART NUMBER DD8-SA-004-MOT	FINISH
	DRAWN BY diocul	DATE 6/18/2024	CHECKED BY	REVISION