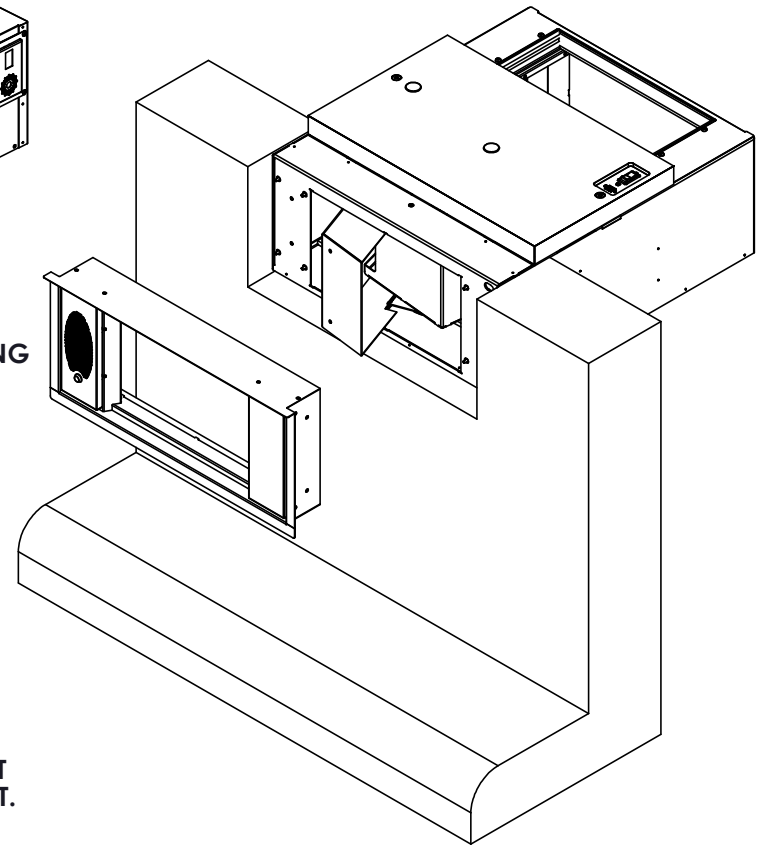
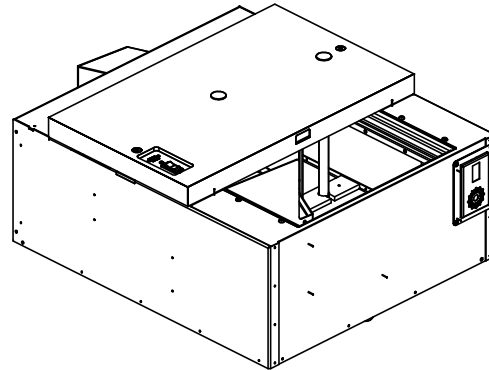
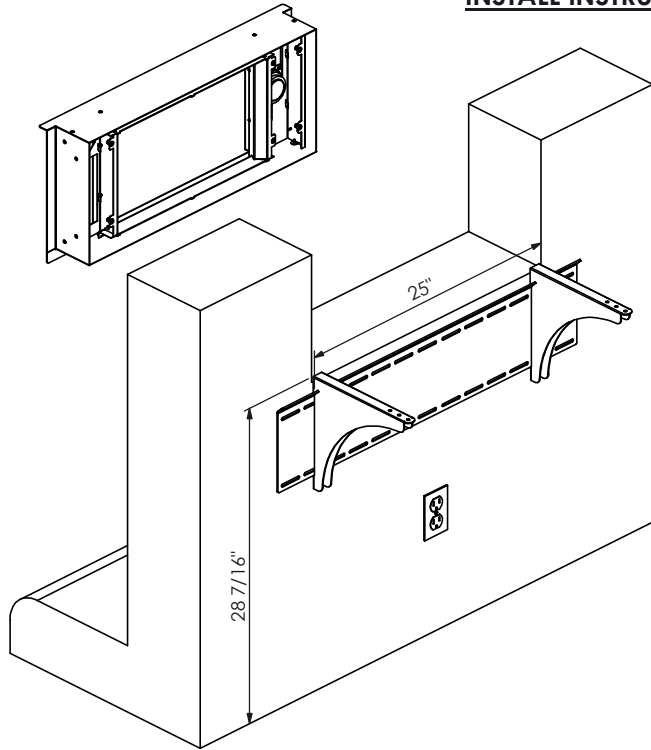


INSTALL INSTRUCTIONS:



STEP 1: WITH UNIT SLIGHTLY OPEN REMOVE 8 MOUNTING SCREW FROM INSIDE OF UNIT HOLDING ON THE FRONT FASCIA AND CAREFULLY REMOVE FASCIA AS WIRES WILL COME WITH IT AND SET ASIDE FOR LATER.

STEP 2: INSTALL WALL MOUNT BRACKET TO INTERIOR WALL AS SHOWN ABOVE, CENTERED ON OPENING AND LEVEL IN BOTH DIRECTIONS.

STEP 3: SLIDE THE UNIT INTO OPENING FROM THE INSIDE UP TO THE COUNTERTOP.

STEP 4: SHIM UP UNDERNEATH FRONT EDGE OF UNIT AS NEED TO HOLD UNIT LEVEL.

STEP 5: SLIDE FASCIA INTO PLACE FROM OUTSIDE AND WITH THE UNIT SLIGHTY OPEN SECURE THE FASCIA TO THE UNIT WITH THE THE PREVIOUSLY REMOVED 8 MOUNTING SCREWS FROM STEP 1.

STEP 6: SLIDE UNIT INTO PLACE SO THAT THE OUTSIDE TRIM IS ALIGNED WITH OPENING AND SECURE UNIT INTO PLACE WITH SELF DRILLING SCREWS THROUGH MOUNTING BRACKET ON THE INSIDE AND FROM INSIDE THE HOUSING INTO WAL AS NEEDED TO SECURE UNIT.

STEP 7: PLUG UNIT INTO OUTLET AND TEST RUN THE UNIT IN AND OUT.

NOTE: SEAL FASCIA AS NEEDED.

HAMILTON
BY **GUNNEBO**

PROPRIETARY AND CONFIDENTIAL
THESE DRAWINGS ARE THE PROPERTY
OF HAMILTON AND SHALL NOT
BE REPRODUCED, COPIED, USED
AS THE BASIS FOR MANUFACTURE OR
SALE OF APPARATUS WITHOUT
PERMISSION

DESCRIPTION	
BOND OR COLLEGE HILL SECURE LARGE COMMERCIAL DRAWER INSTALL INSTRUCTIONS	
DRAWING/MODEL NUMBER 08-428 / SLCD-MAN, MOT	DATE 4/1/2024