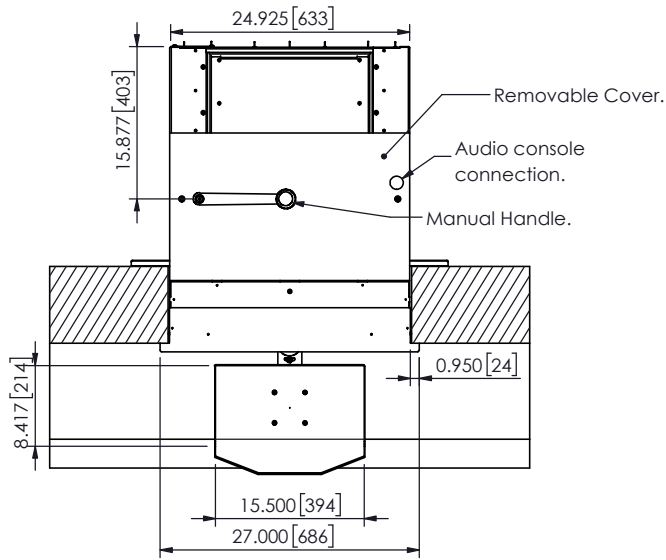
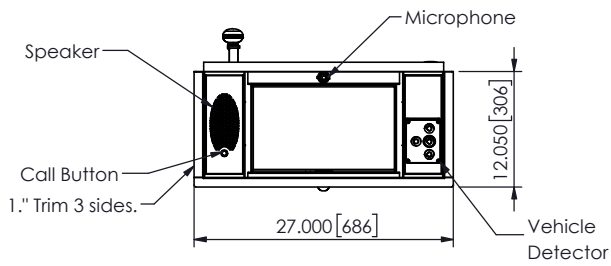


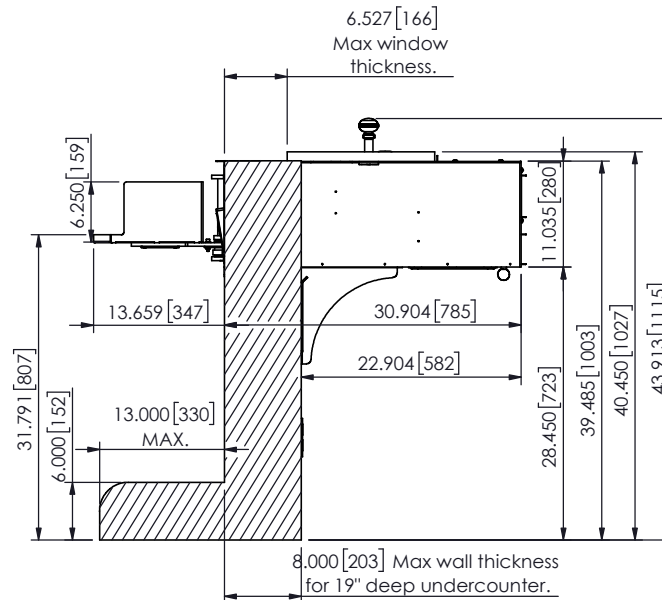
Max Payload size is roughly
15-3/8" W x 6-1/2" H x 8-1/8" D.



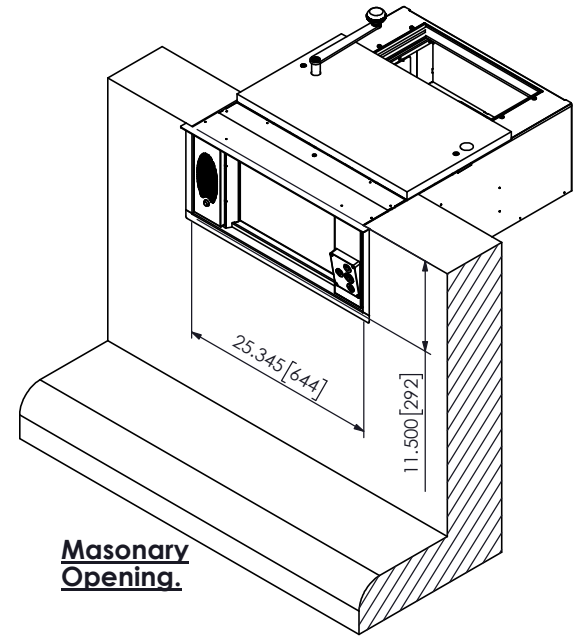
Plan View



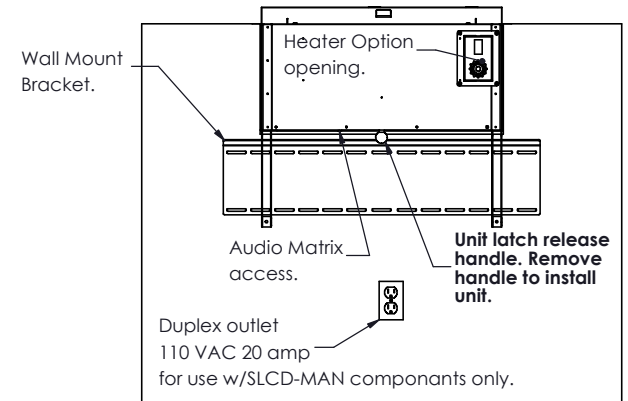
Exterior Elevation View



Section View



Masonry Opening.



Interior Elevation View

est. 1967
HAMILTON
CUSTOM MADE SECURITY

PROPRIETARY AND CONFIDENTIAL
THESE DRAWINGS ARE THE PROPERTY
OF HAMILTON SAFE CO. AND SHALL
NOT BE REPRODUCED, COPIED, USED
AS THE BASIS FOR MANUFACTURE OR
SALE OF APPARATUS WITHOUT
PERMISSION

DESCRIPTION		DATE
Bond and College Hill Secure Large Commercial Drawer-Manual or Motorized W/Vehicle Detect		
DRAWING/MODEL NUMBER 08-427 / SLCD-MAN, MOT		
	12/6/2023	