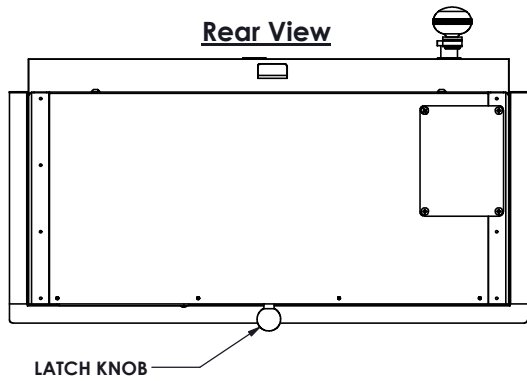
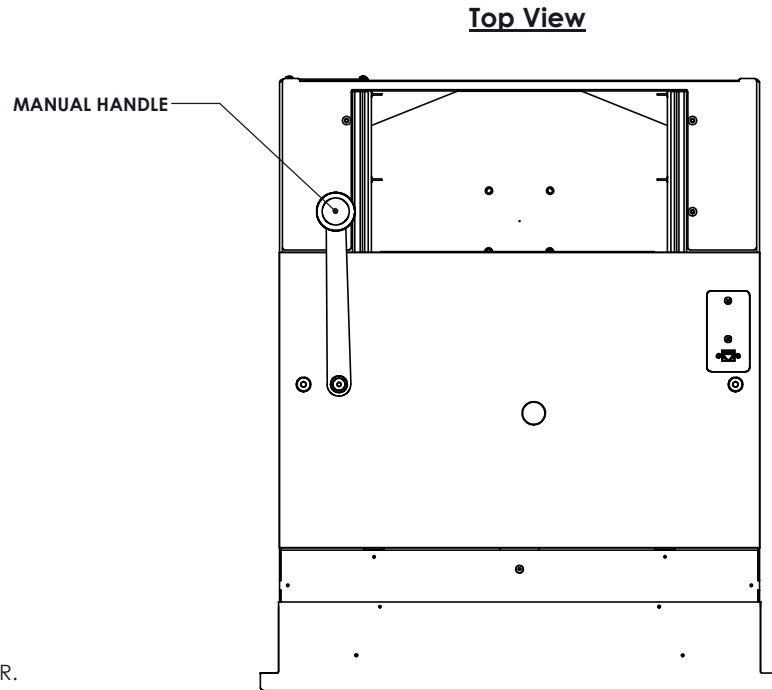


Manual Drawer Operation Instructions



LOCKING AND UNLOCK DRAWER

- 1) MOVE LATCH KNOB BACK AND TO THE LEFT TO UNLOCK DRAWER.
- 2) MOVE LATCH KNOB RIGHT AND FORWARD TO LOCK DRAWER.



DRAWER OPERATION

- 1) ROTATE MANUAL HANDLE CLOCKWISE TO OPEN DRAWER.
- 2) ROTATE MANUAL HANDLE COUNTER CLOCKWISE TO CLOSE DRAWER.

<p>est. 1967</p> <h1>HAMILTON</h1> <p>CUSTOM MADE SECURITY</p>	<p>PROPRIETARY AND CONFIDENTIAL THESE DRAWINGS ARE THE PROPERTY OF HAMILTON SAFE CO. AND SHALL NOT BE REPRODUCED, COPIED, USED AS THE BASIS FOR MANUFACTURE OR SALE OF APPARATUS WITHOUT PERMISSION</p>	DESCRIPTION	
		Bond Hill/Green Hill SLCD-MAN/SXLCD-MAN Commercial Drawer	
DRAWING/MODEL NUMBER 08-424 / SLCD/SXLCD		DATE	9/13/2023