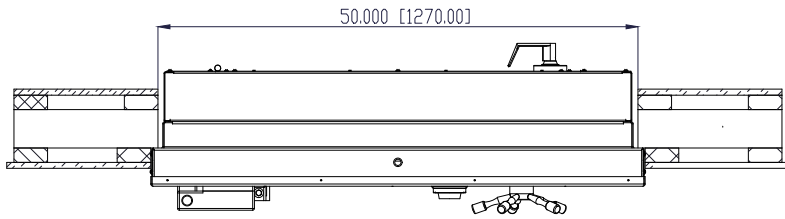


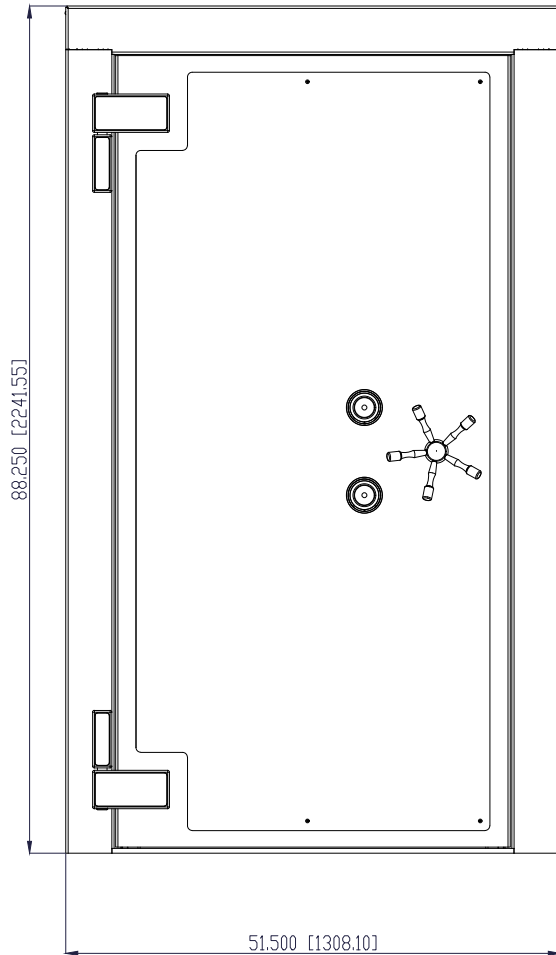
HAMILTON
BY **GUNNEBO**

PROPRIETARY AND CONFIDENTIAL
THESE DRAWINGS ARE THE PROPERTY
OF HAMILTON SAFE CO. AND SHALL
NOT BE REPRODUCED, COPIED, USED
AS THE BASIS FOR MANUFACTURE OR
SALE OF APPARATUS WITHOUT
PERMISSION

TITLE			
Hyde Park Vault Door, UL Class 1, Right Swing			
PART NUMBER			
VDUL-1 RS			
DRAWN BY	DATE CHECKED BY	DATE	REVISION
BilDet	5/26/2022		--

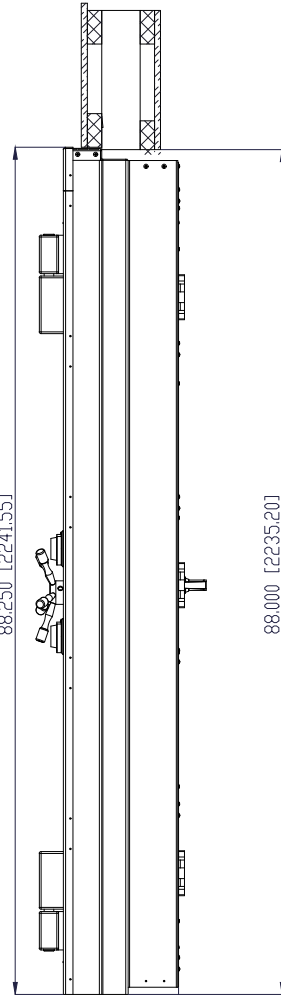


50.000 [1270.00]



88.250 [2241.55]

51.500 [1308.10]

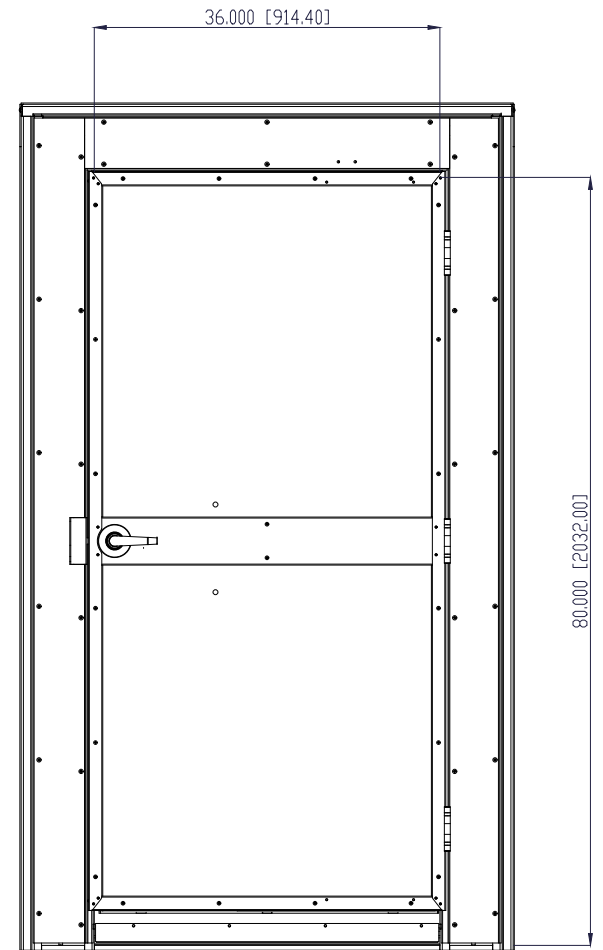


88.250 [2241.55]

88.000 [2235.20]

6.750 [171.45]

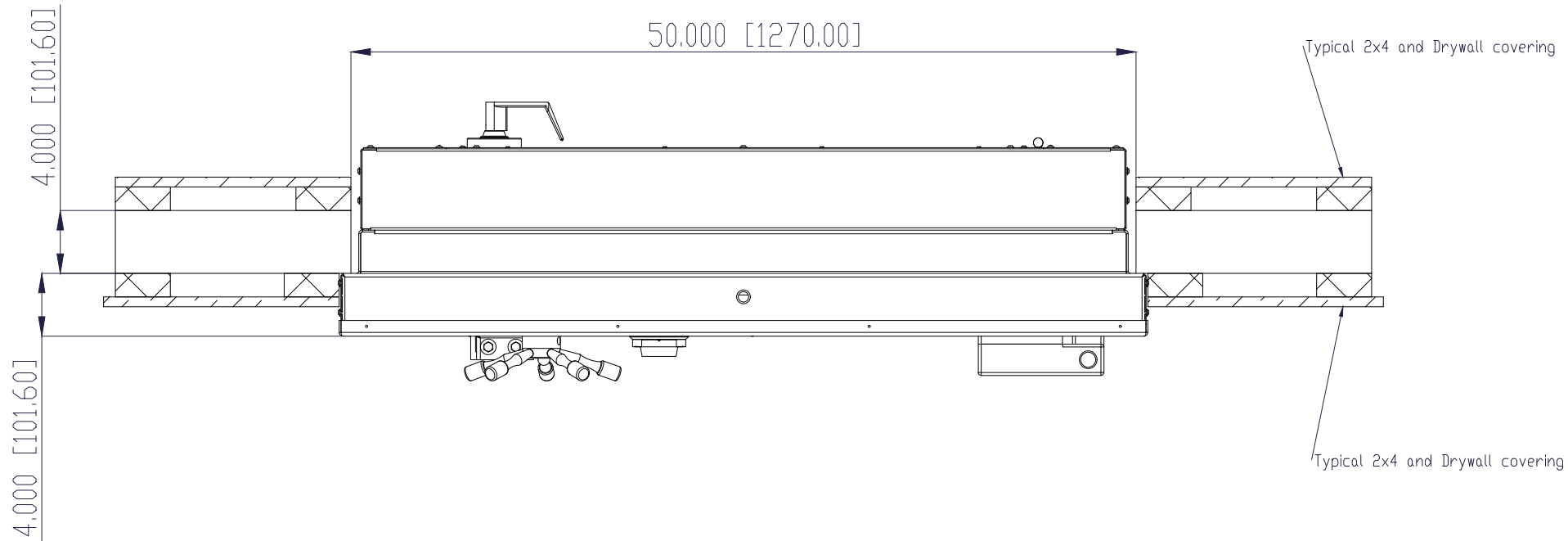
5.250 [133.35]



36.000 [914.40]

80.000 [2032.00]

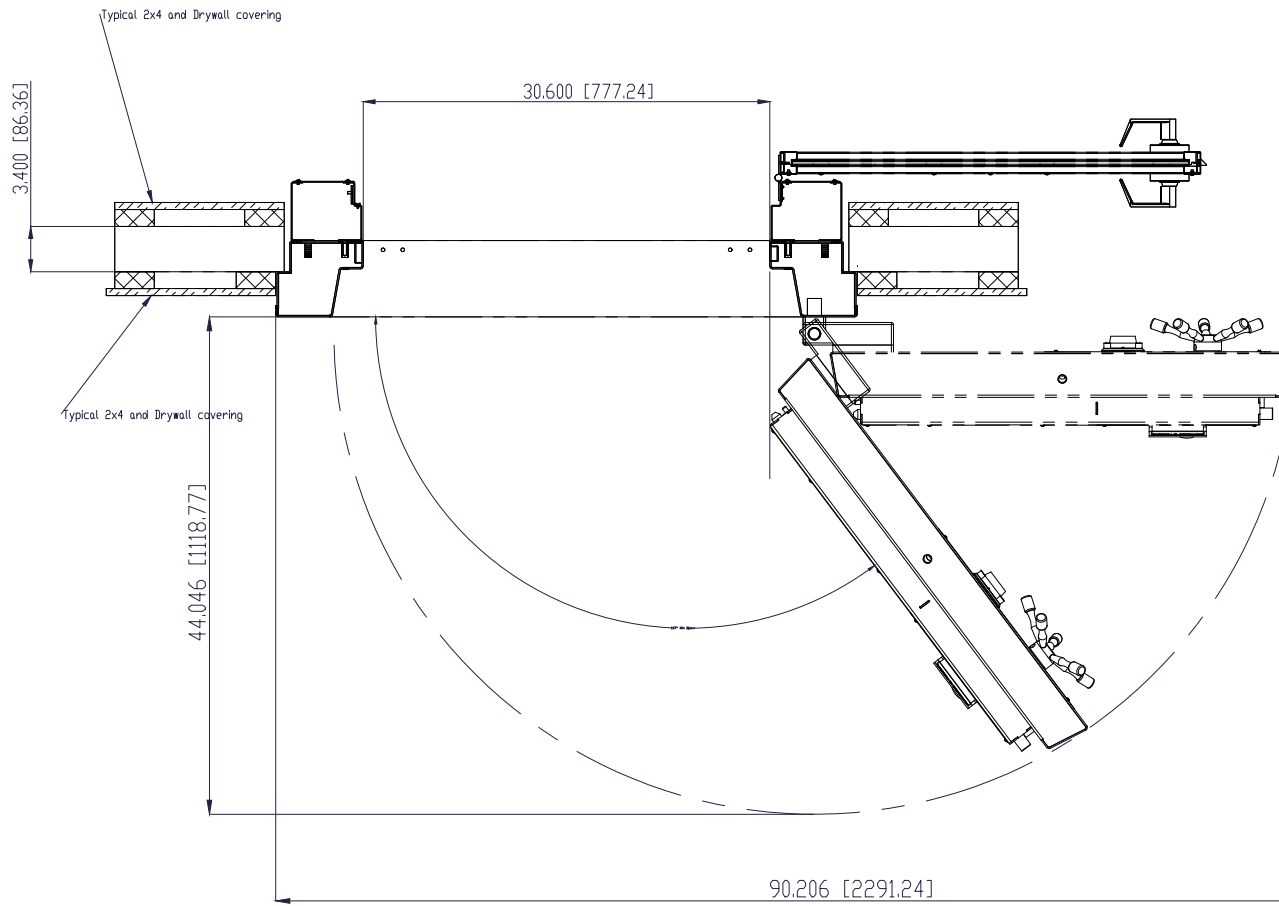
	<small>PROPRIETARY AND CONFIDENTIAL THESE DRAWINGS ARE THE PROPERTY OF HAMILTON SAFE CO. AND SHALL NOT BE REPRODUCED, COPIED, USED AS THE BASIS FOR MANUFACTURE OR SALE OF APPARATUS WITHOUT PERMISSION</small>				<small>TITLE</small> Hyde Park Vault Door, UL Class 1, Left Swing
	<small>PART NUMBER</small> VDUL-1 LS				<small>DATE CHECKED BY</small> 5/26/2022
<small>DRAWN BY</small> BilDet		<small>DATE</small> 		<small>REVISION</small> --	



HAMILTON
BY **GUNNEBO**

PROPRIETARY AND CONFIDENTIAL
THESE DRAWINGS ARE THE PROPERTY
OF HAMILTON SAFE CO. AND SHALL
NOT BE REPRODUCED, COPIED, USED
AS THE BASIS FOR MANUFACTURE OR
SALE OF APPARATUS WITHOUT
PERMISSION

TITLE Vault Door, Class 1, Detail			
PART NUMBER VDUL-1			
DRAWN BY BilDet	DATE CHECKED BY 5/26/2022	DATE	REVISION --



HAMILTON BY GUNNEBO	PROPRIETARY AND CONFIDENTIAL. THESE DRAWINGS ARE THE PROPERTY OF HAMILTON SAFE CO. AND SHALL NOT BE REPRODUCED, COPIED, USED AS THE BASIS FOR MANUFACTURE OR SALE OF APPARATUS WITHOUT PERMISSION.				TITLE Hyde Park Vault Door, UL Class 1, Detail
			PART NUMBER VDUL-1 Detail		
DRAWN BY BilDet	DATE CHECKED BY 5/26/2022	DATE --	REVISION --		