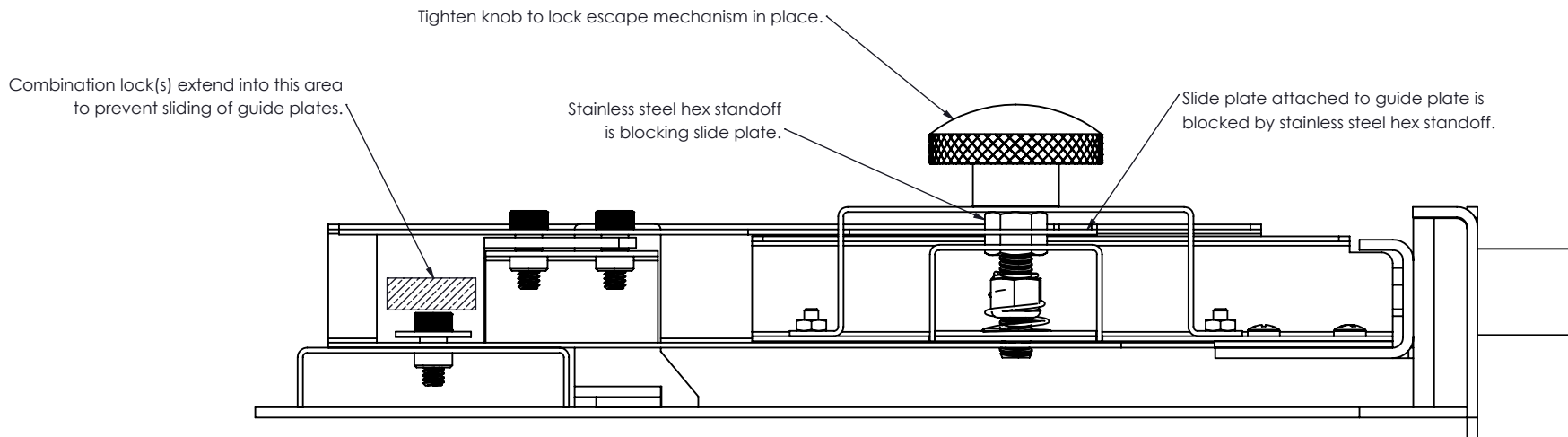
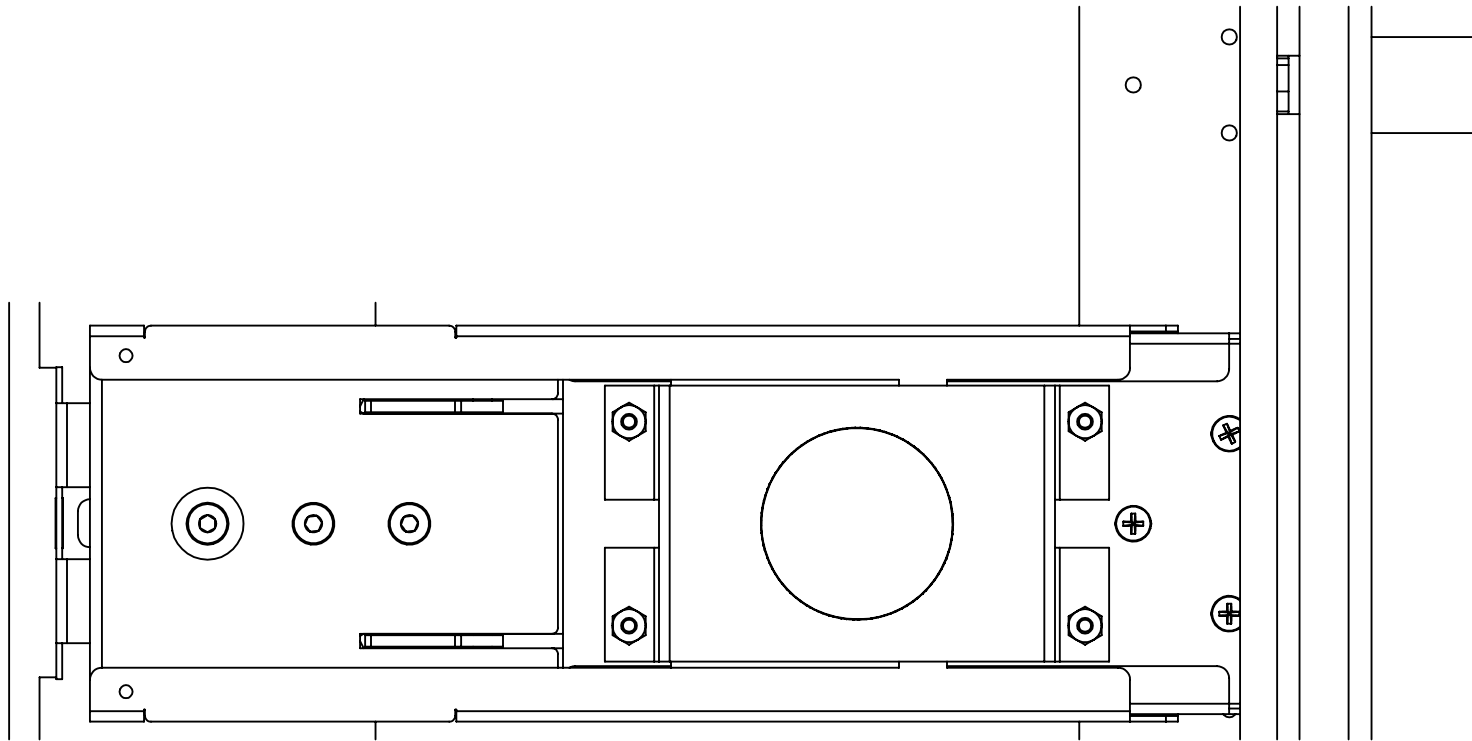


ITEM NO.	UL Description	UL Material	QTY.
1	Slide Plate, Lock Side	16 Ga Stainless	1
2	Spacer/Spring Alignment	16 Ga Stainless	1
3	Bracket, Escape Nut	16 Ga Stainless	1
4	Spacer, Slide Plate	14 Ga Stainless	1
5	Slide Plate, Bolt Bar	16 Ga Stainless	1
6	Escape Mounting Plate	16 Ga Stainless	1
7	Cross Mount, Escape	16 Ga Stainless	1
8	Bolt Support Bracket	11 Ga HRPO	1
9	Face Plate, Boltwork	11 Ga HRPO	1
10	Alignment Plate, Lock	11 Ga HRPO	1
11	Cover Plate, Dual Lock Cam	16 Ga Stainless	1
12	Reset Stop, Dual Lock	11 Ga Stainless	1
13	Cam, Dual Lock	11 Ga Stainless	1
14	Lock Bolts	1" Round CRS	1
15	Carriage Bar	11 Ga SS	1
16	Slide Plate Riser	16 Ga HRPO	1
17	Female Threaded Hex Standoff	Stainless Steel	1
18	Round Knob with Threaded Steel Stud	Aluminum	1
19	3/8"-16 Nylon-Insert Locknut	Zinc Steel	1
20	Confined-Space Conical Compression Spring	Stainless Steel	1
21	5/16 x 3/16 Socket Shoulder Bolt	Alloy Steel	1
22	5/16" Flat Washer	Zinc Steel	1
23	5/16 x 1/4 Socket Shoulder Bolt	Alloy Steel	2
24	8-32 Hex Nut KEPS	Stainless Steel	4
25	10-32 x 1/4 Phillips Pan	Stainless Steel	3
26	5/16-18 x 1 Hex Head Bolt	Zinc Steel	1
27	Combination Lock		1
28	Chamberlain Security Hard Plate	Drawing # 499-30A	2

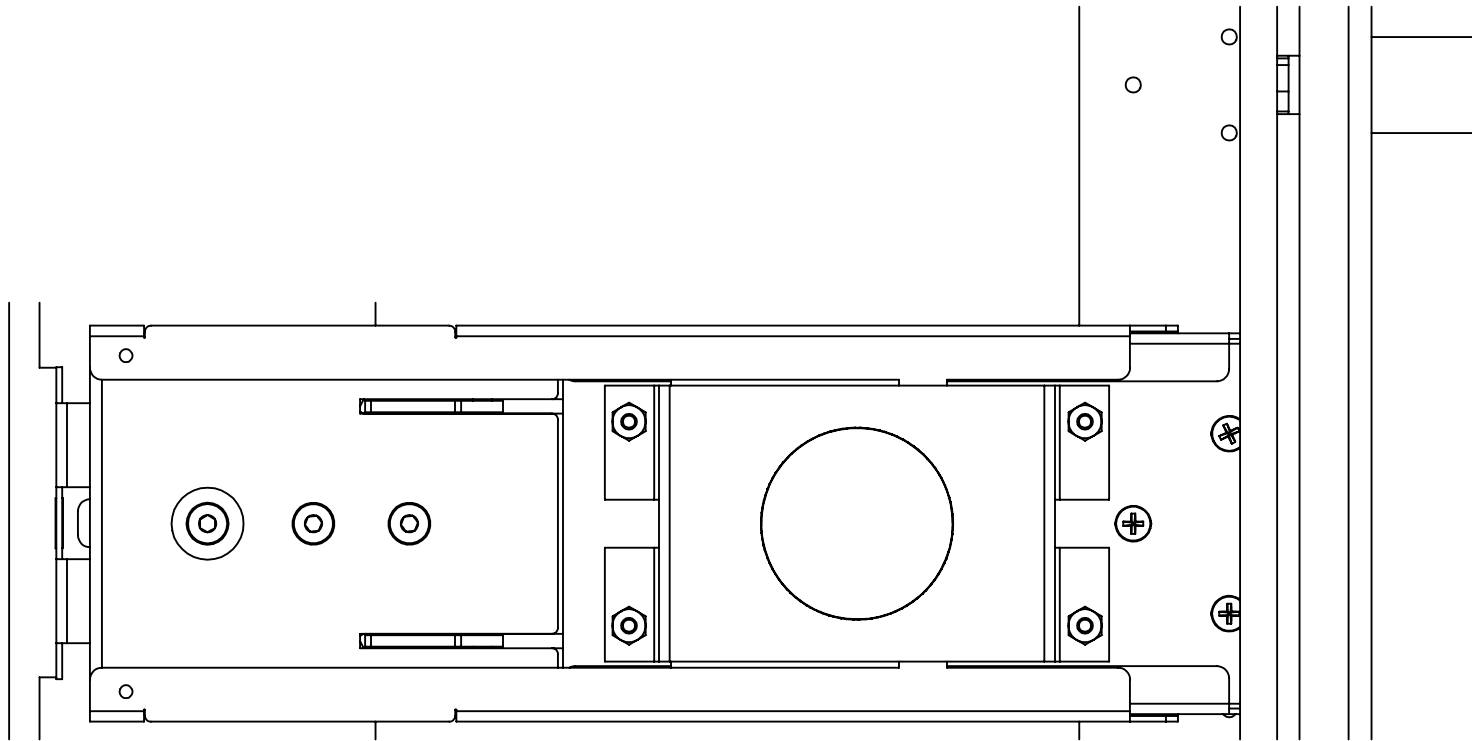
est. 1967
HAMILTON
 CUSTOM MADE SECURITY

PROPRIETARY AND CONFIDENTIAL
 THESE DRAWINGS ARE THE PROPERTY
 OF HAMILTON SAFE CO. AND SHALL
 NOT BE REPRODUCED, COPIED, USED
 AS THE BASIS FOR MANUFACTURE OR
 SALE OF APPARATUS WITHOUT
 PERMISSION

TITLE			
Vault Door Emergency Release Mechanism			
PART NUMBER			
HUD-ESCAPE			
DRAWN BY	DATE	CHECKED BY	REVISION
BillDef	10/7/2021		



est. 1967 HAMILTON CUSTOM MADE SECURITY	PROPRIETARY AND CONFIDENTIAL THESE DRAWINGS ARE THE PROPERTY OF HAMILTON SAFE CO. AND SHALL NOT BE REPRODUCED, COPIED, USED AS THE BASIS FOR MANUFACTURE OR SALE OF APPARATUS WITHOUT PERMISSION		TITLE Vault Door Emergency Release Mechanism Locked Position	
	DRAWN BY BilDef		DATE CHECKED BY 10/7/2021	
		PART NUMBER HUD-ESCAPE		REVISION

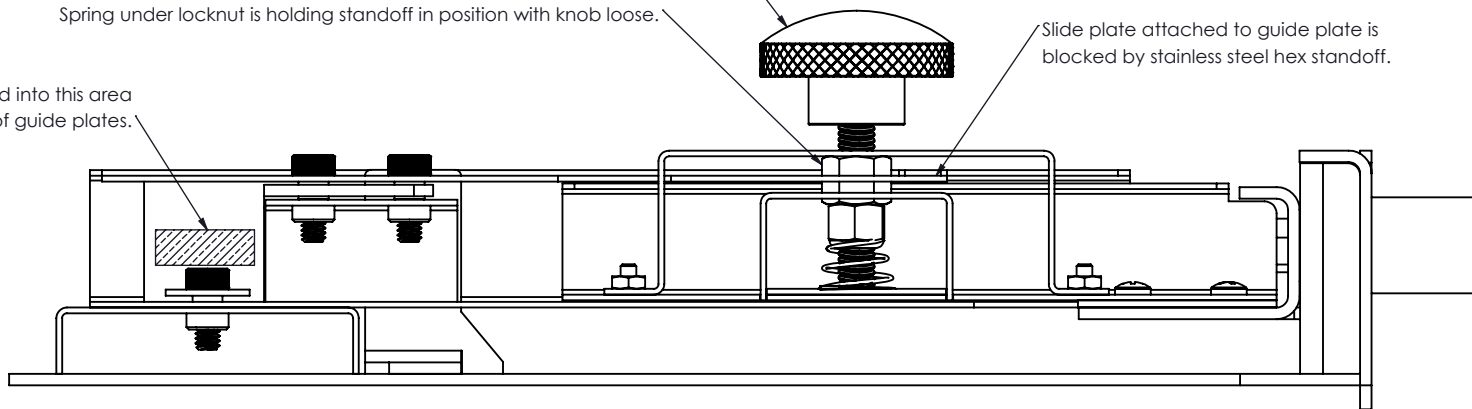


Unscrew knob until it stops with standoff hitting locknut.

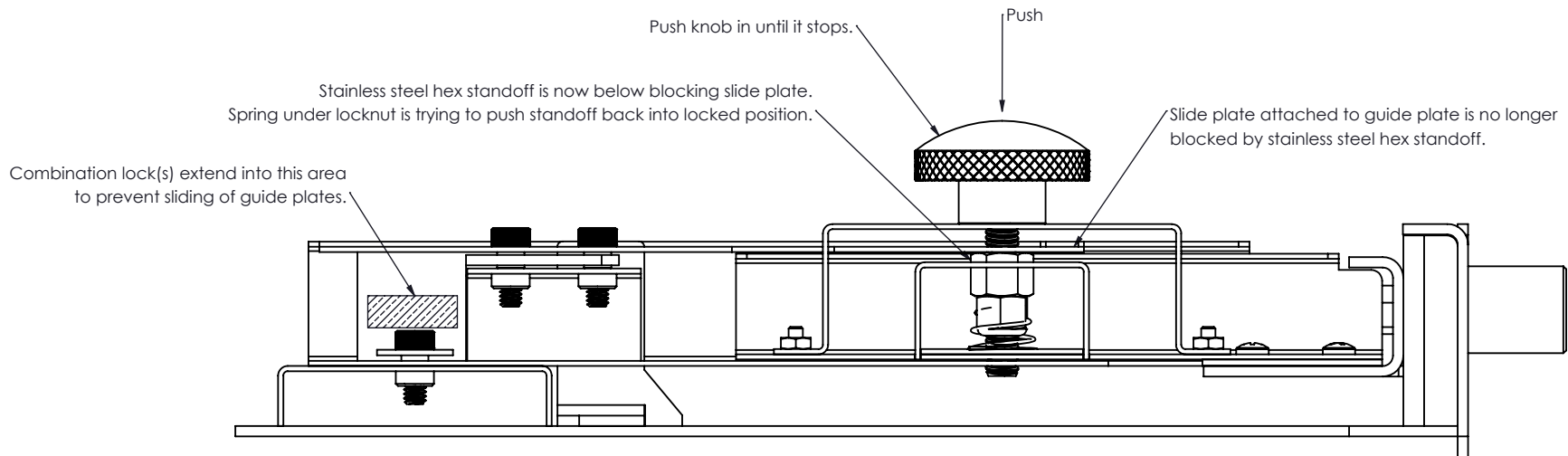
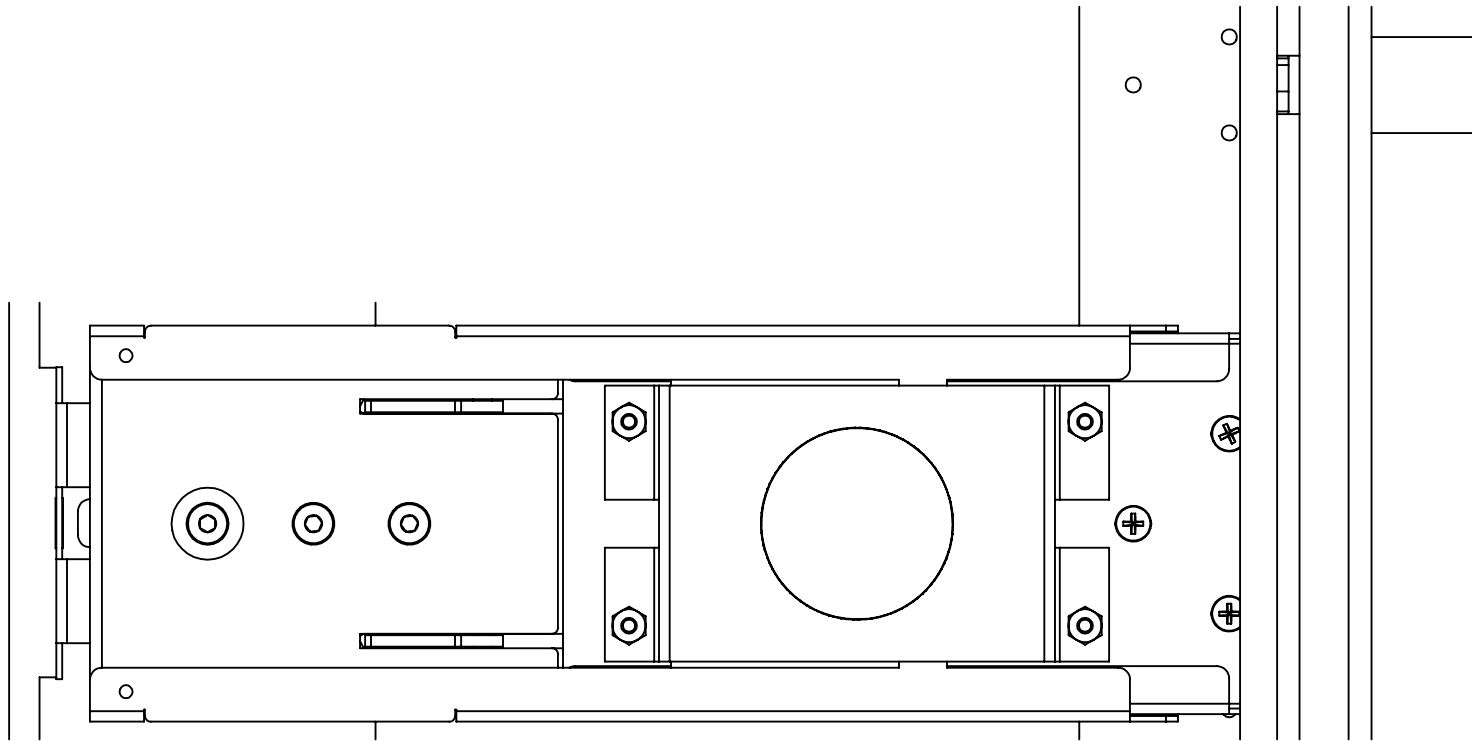
Stainless steel hex standoff is blocking slide plate.
Spring under locknut is holding standoff in position with knob loose.

Slide plate attached to guide plate is blocked by stainless steel hex standoff.

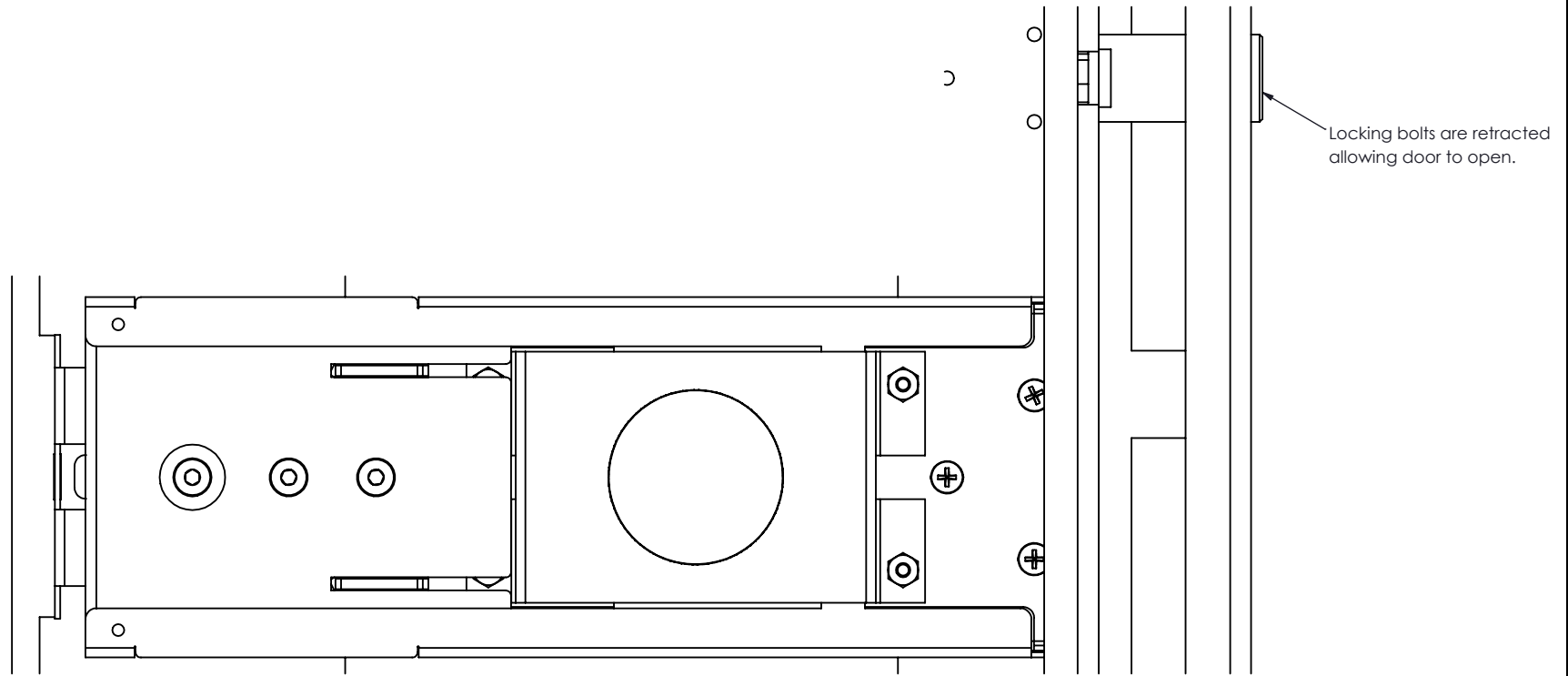
Combination lock(s) extend into this area to prevent sliding of guide plates.



est. 1967 HAMILTON CUSTOM MADE SECURITY	PROPRIETARY AND CONFIDENTIAL THESE DRAWINGS ARE THE PROPERTY OF HAMILTON SAFE CO. AND SHALL NOT BE REPRODUCED, COPIED, USED AS THE BASIS FOR MANUFACTURE OR SALE OF APPARATUS WITHOUT PERMISSION		TITLE Vault Door Emergency Release Mechanism Released Position	
	PART NUMBER HUD-ESCAPE		DRAWN BY BilDef	DATE 10/7/2021



est. 1967 HAMILTON CUSTOM MADE SECURITY	PROPRIETARY AND CONFIDENTIAL THESE DRAWINGS ARE THE PROPERTY OF HAMILTON SAFE CO. AND SHALL NOT BE REPRODUCED, COPIED, USED AS THE BASIS FOR MANUFACTURE OR SALE OF APPARATUS WITHOUT PERMISSION		TITLE Vault Door Emergency Release Mechanism Unlocked Position	
	PART NUMBER HUD-ESCAPE		DRAWN BY BilDef	DATE 10/7/2021



Locking bolts are retracted allowing door to open.

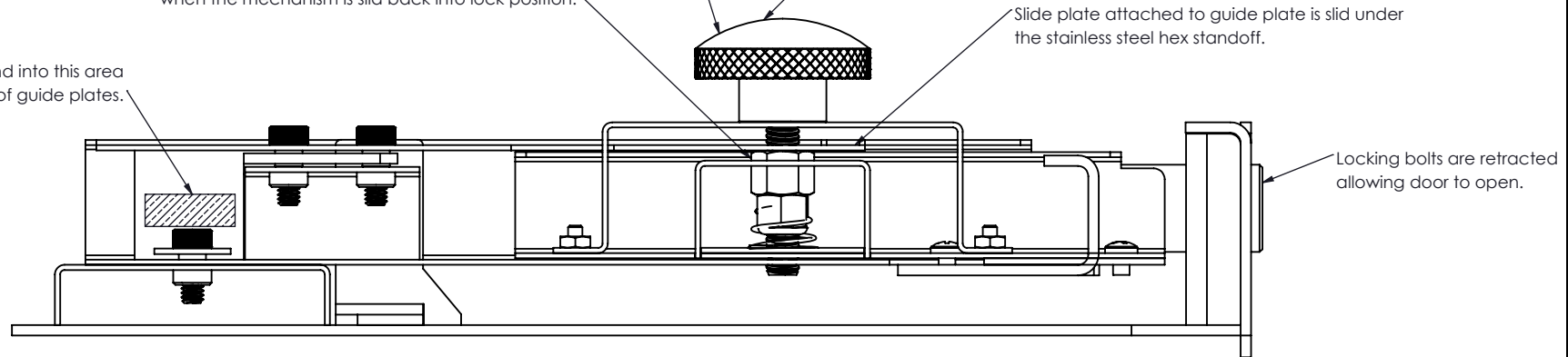
While pushing knob in, slide it towards hinge side of door to unlock.

Push in and towards hinge side of door.

Stainless steel hex standoff is still below blocking slide plate. Spring under locknut is trying to push standoff back into locked position when the mechanism is slid back into lock position.

Slide plate attached to guide plate is slid under the stainless steel hex standoff.

Combination lock(s) extend into this area to prevent sliding of guide plates.



Locking bolts are retracted allowing door to open.

est. 1967 HAMILTON CUSTOM MADE SECURITY	PROPRIETARY AND CONFIDENTIAL THESE DRAWINGS ARE THE PROPERTY OF HAMILTON SAFE CO. AND SHALL NOT BE REPRODUCED, COPIED, USED AS THE BASIS FOR MANUFACTURE OR SALE OF APPARATUS WITHOUT PERMISSION		TITLE Vault Door Emergency Release Mechanism Open Position	
	PART NUMBER HUD-ESCAPE		DRAWN BY BilDef	DATE 10/7/2021