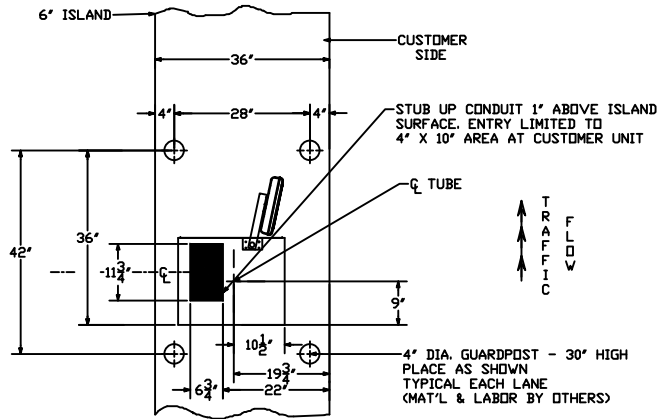
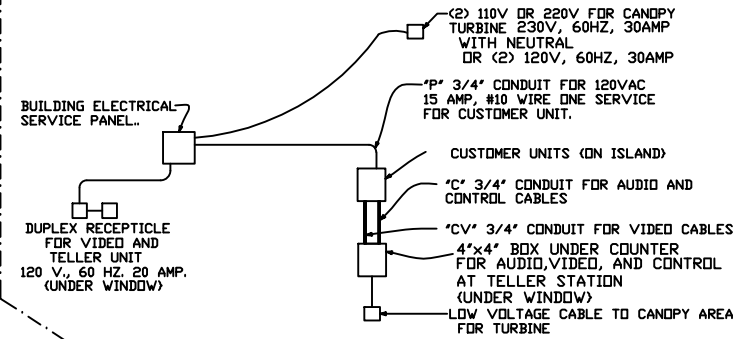


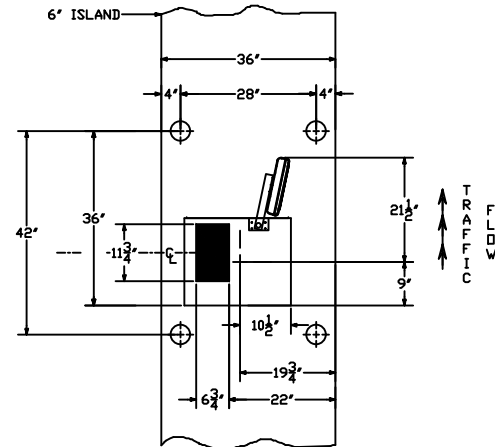
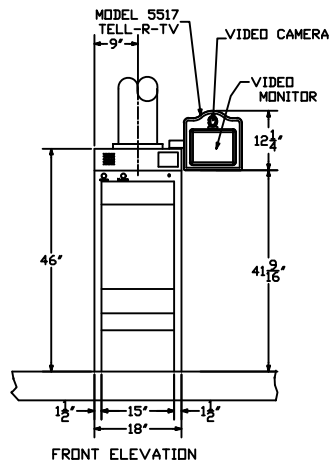
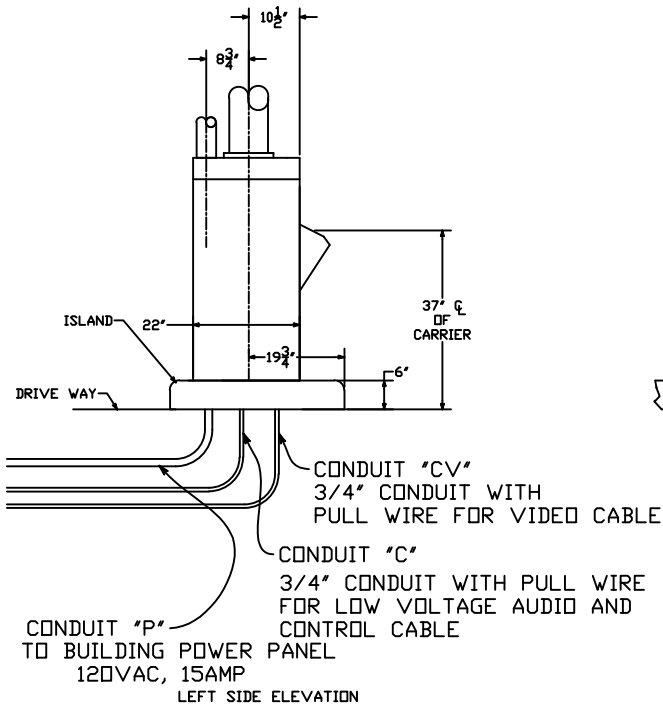
REV-1	DATE: 5/16/11	Revised Unit Height
REV-2	DATE: 3/5/12	Corrected Set Back/Island Width
REV-3	DATE:	



UNDERGROUND CONDUIT ENTRY



CONDUIT DETAIL



PLAN VIEW OF HA-33-8 W/ MODEL 5517 TELL-R-TV

NOTE: REFER TO DRAWING No 99-1190 FOR GENERAL SPECIFICATIONS.

est. 1967

**HAMILTON**

CUSTOM MADE SECURITY

PROPRIETARY AND CONFIDENTIAL  
 THESE DRAWINGS ARE THE PROPERTY  
 OF HAMILTON SAFE CO. AND SHALL  
 NOT BE REPRODUCED, COPIED, USED  
 AS THE BASIS FOR MANUFACTURE OR  
 SALE OF APPARATUS WITHOUT  
 PERMISSION

DESCRIPTION	
MODEL HA-33 UPSEND CUSTOMER UNIT (8' TUBE SYSTEM) WITH MODEL 5517 TELL-R-TV	
DRAWING/MODEL NUMBER	99-1194
DATE	8/30/2022