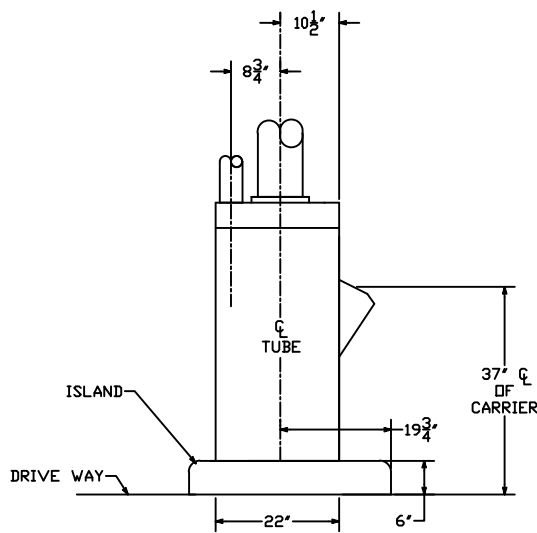
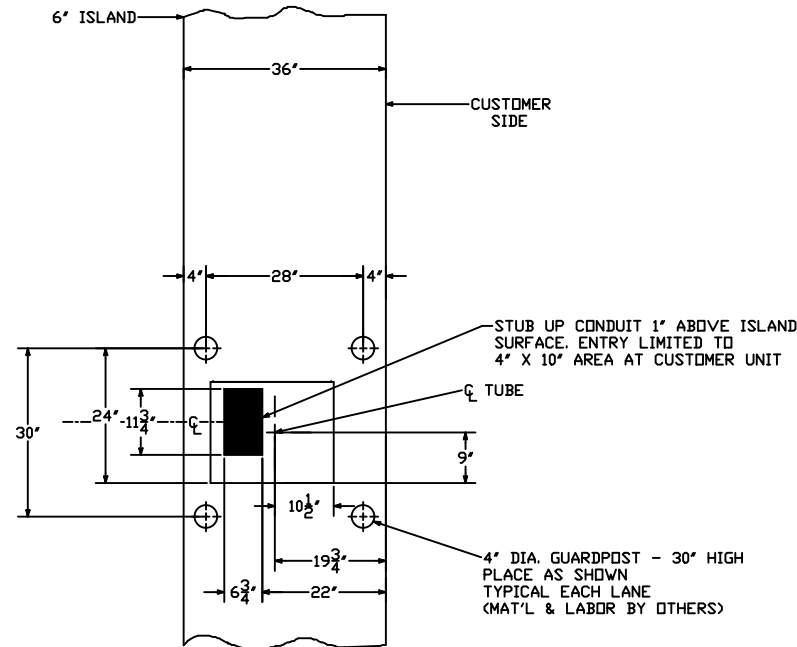
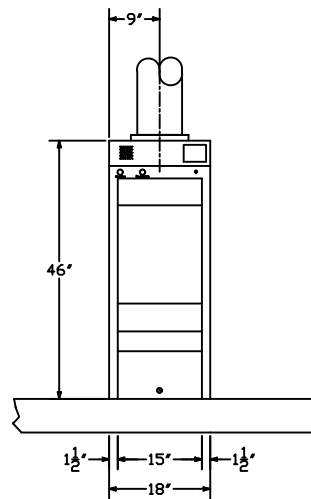


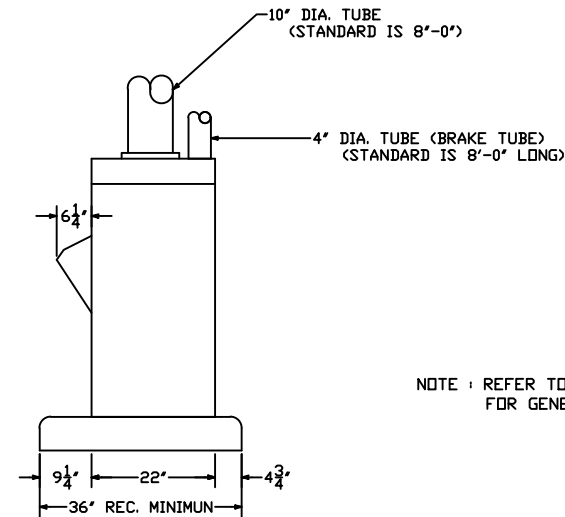
REV.-1	DATE: 6/19/00	MOVED TURBINE PLACEMENT
REV.-2	DATE: 5/16/11	Revised Unit Height
REV.-3	DATE: 3/5/12	Island Width, Unit Set Back



LEFT SIDE ELEVATION



FRONT ELEVATION



RIGHT SIDE ELEVATION

NOTE: REFER TO DRAWING No 99-1190 FOR GENERAL SPECIFICATIONS.

est. 1967

**HAMILTON**

CUSTOM MADE SECURITY

PROPRIETARY AND CONFIDENTIAL  
 THESE DRAWINGS ARE THE PROPERTY  
 OF HAMILTON SAFE CO. AND SHALL  
 NOT BE REPRODUCED, COPIED, USED  
 AS THE BASIS FOR MANUFACTURE OR  
 SALE OF APPARATUS WITHOUT  
 PERMISSION

DESCRIPTION	
MODEL HA-33 UPSEND CUSTOMER UNIT (8" TUBE SYSTEM)	
DRAWING/MODEL NUMBER	99-1192
DATE	8/30/22