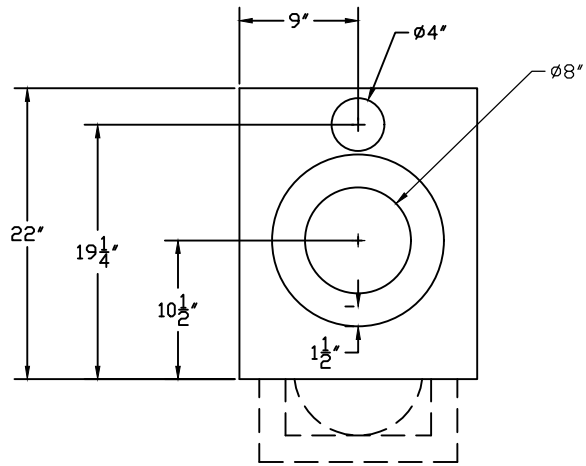
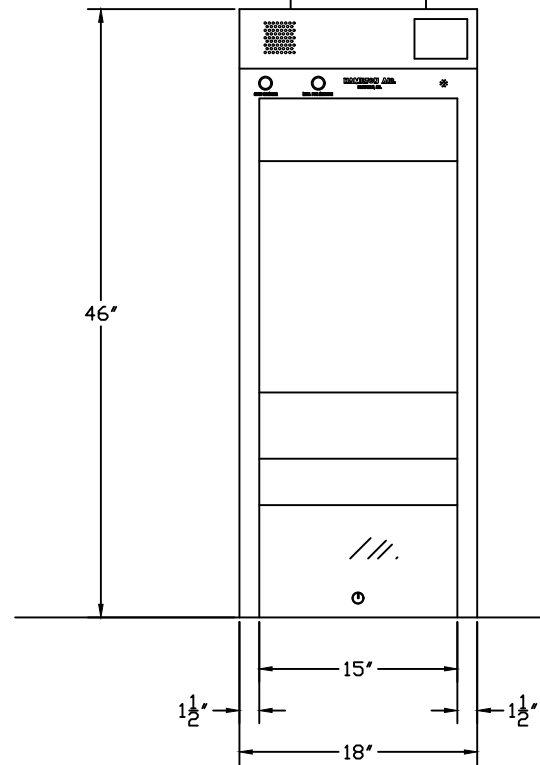


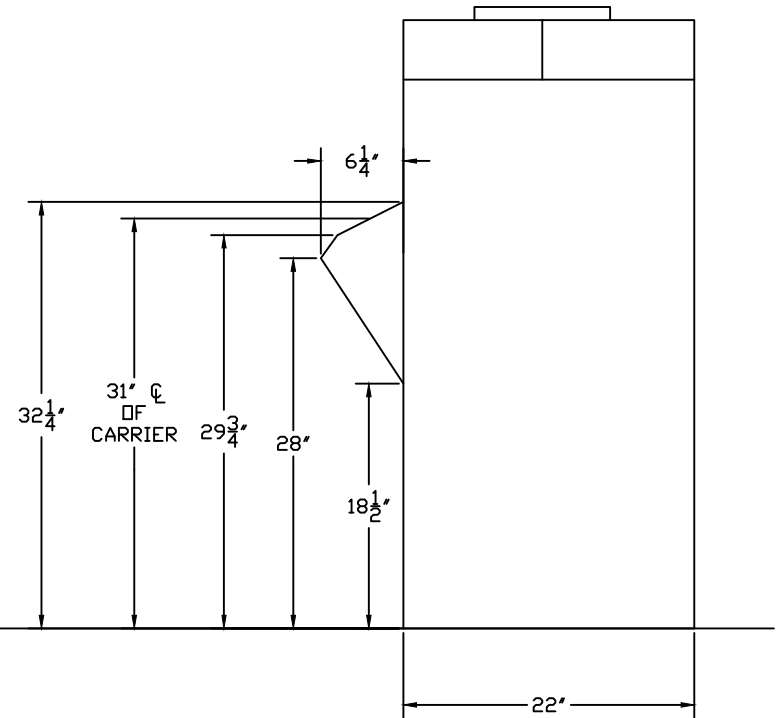
Rev - 1	6/19/00 MOVED TURBINE
Rev - 2	5/16/11 Revised Height



TOP VIEW



FRONT VIEW



RIGHT SIDE VIEW

HAMILTON AIR	
MODEL HA-33 UPSEND CUSTOMER UNIT (8' TUBE SYSTEM)	
Drawing Number : 99-1190	Date : 8-30-22