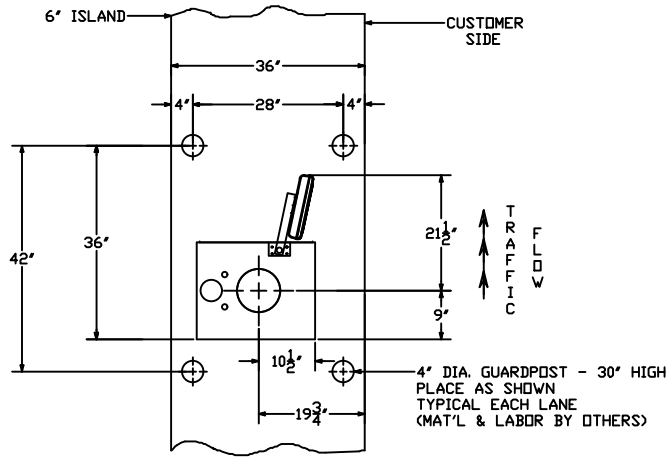
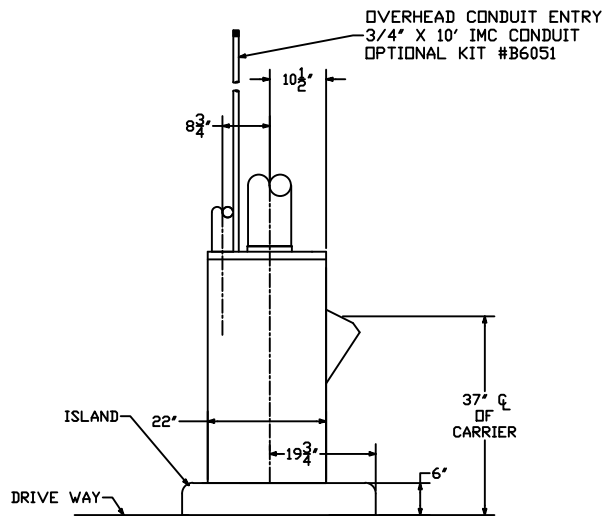


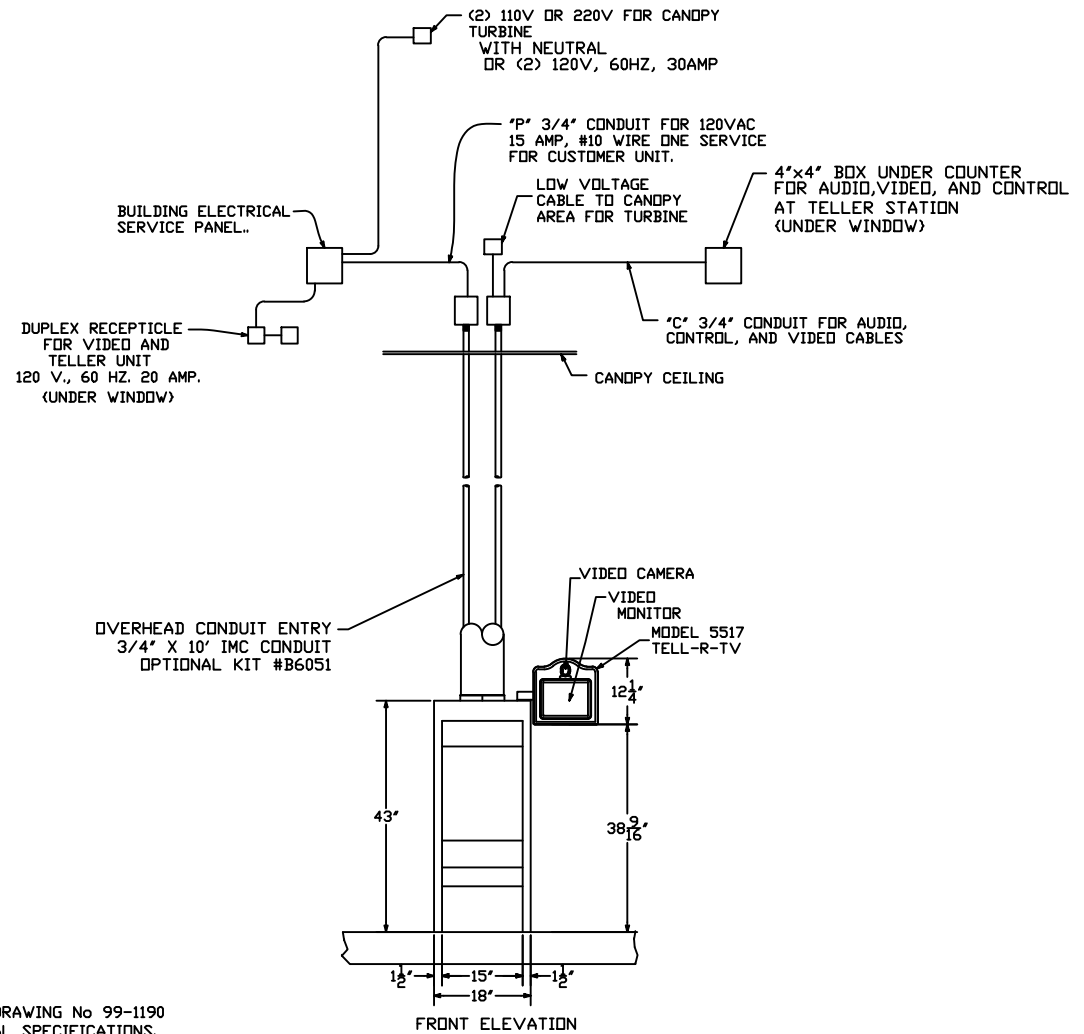
REV.-1	DATE: 3/5/12	Corrected Set Back Island Width
REV.-2	DATE:	
REV.-3	DATE:	



PLAN VIEW OF HA-33 W/  
MODEL 5517 TELL-R-TV



LEFT SIDE ELEVATION



NOTE : REFER TO DRAWING No 99-1190  
FOR GENERAL SPECIFICATIONS.  
AND DRAWING No 99-1188  
FOR TELLER UNIT DETAILS.

est. 1967

**HAMILTON**

CUSTOM MADE SECURITY

PROPRIETARY AND CONFIDENTIAL  
THESE DRAWINGS ARE THE PROPERTY  
OF HAMILTON SAFE CO. AND SHALL  
NOT BE REPRODUCED, COPIED, USED  
AS THE BASIS FOR MANUFACTURE OR  
SALE OF APPARATUS WITHOUT  
PERMISSION

DESCRIPTION	
MODEL HA-33 UPSEND (8" TUBE) FOR CUSTOMER UNIT WITH MODEL 5517 TELL-R-TV AND OVERHEAD ELECTRIC	
DRAWING/MODEL NUMBER	DATE
99-1187	8/30/2022