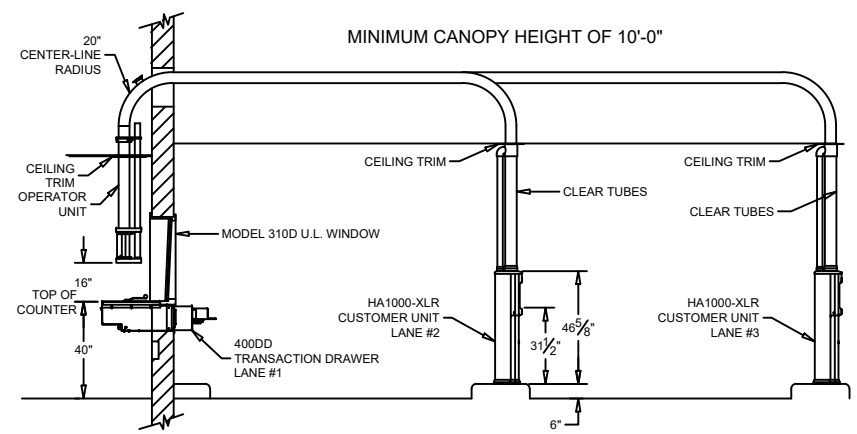


PLAN

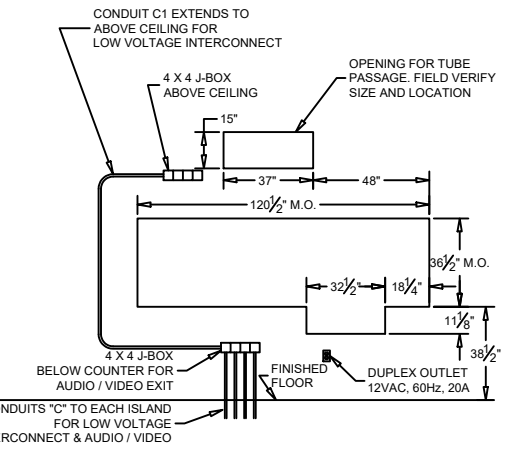
NOTE: CONDUIT "P" TO BUILDING POWER PANEL  
CONDUIT "C" TO JUNCTION BOX BELOW COUNTER  
AND EXTENDED ABOVE CEILING TO TELLER AREA

ADDITIONAL DRAWINGS TO REFERENCE:  
95-696, 99-915, & 99-1140

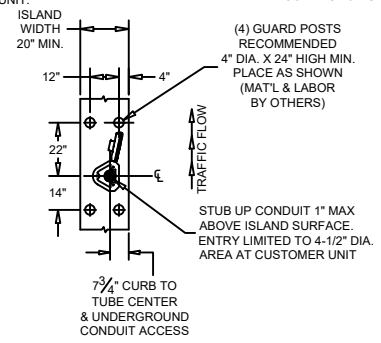
CONDUIT "P" FOR POWER  
120VOLT, 60HZ, 20 AMP  
DEDICATED BRANCH CIRCUIT  
REQUIRED FOR EACH CUSTOMER UNIT.



SECTION



MASONRY DETAIL  
(FOR MODEL 310D U.L. WINDOW)



ISLAND DETAIL

REVISION DESCRIPTION MIN CANOPY HEIGHT OF 10, CHANGED LANE WIDTH TO 9', 400DD M.O. HEIGHT TO 11 1/8'	DATE 6/8/2023
---	------------------

est. 1967

# HAMILTON

CUSTOM MADE SECURITY

PROPRIETARY AND CONFIDENTIAL  
THESE DRAWINGS ARE THE PROPERTY  
OF HAMILTON SAFE CO. AND SHALL  
NOT BE REPRODUCED, COPIED, USED  
AS THE BASIS FOR MANUFACTURE OR  
SALE OF APPARATUS WITHOUT  
PERMISSION

DESCRIPTION	
PNEUMATIC TUBE SYSTEMS MODEL HA1000-XLR "412" SYSTEM - OVERHEAD TUBING SETUP FOR 2 LANES	
DRAWING/MODEL NUMBER 99-1198	DATE 4/25/23