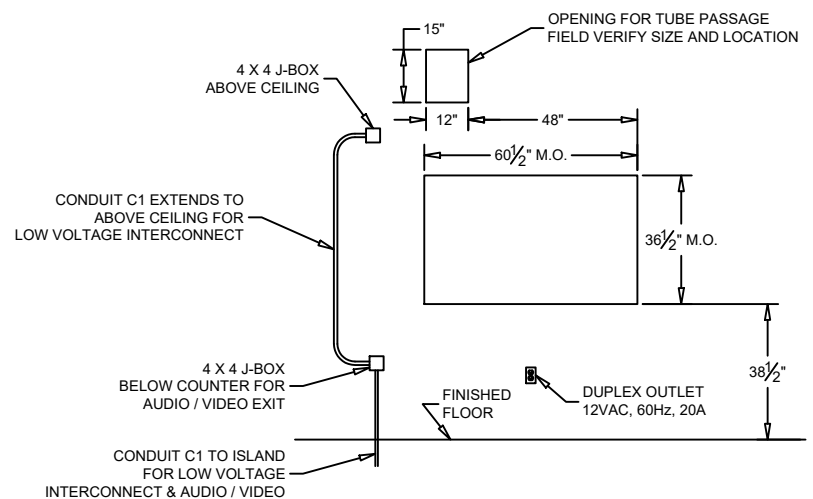
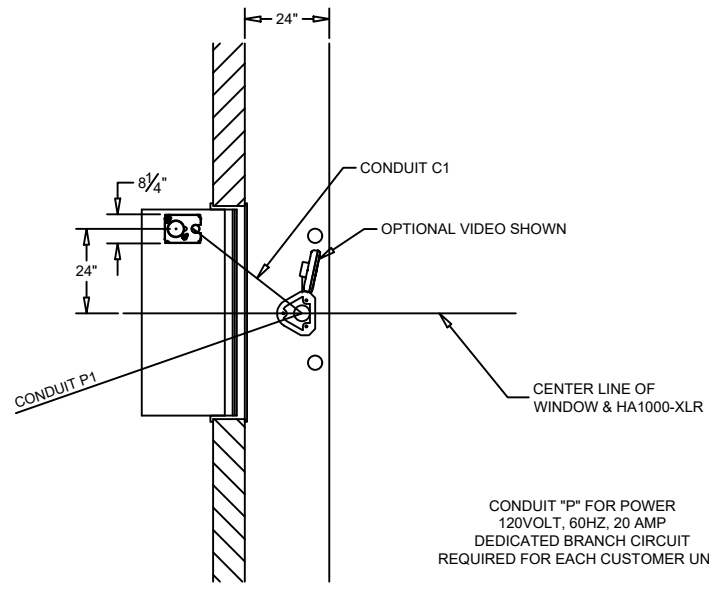


SECTION



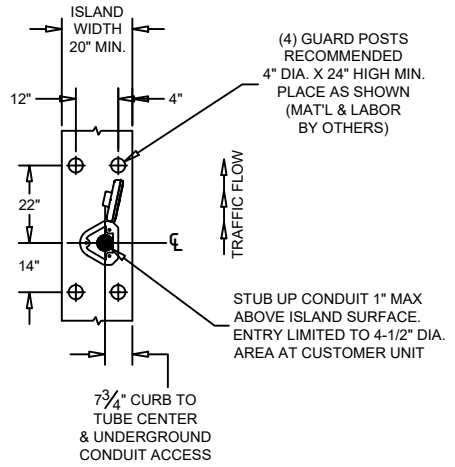
MASONRY DETAIL
(FOR MODEL 035V U.L. WINDOW)



PLAN

NOTE: CONDUIT "P" TO BUILDING POWER PANEL
CONDUIT "C" TO JUNCTION BOX BELOW COUNTER
AND EXTENDED ABOVE CEILING TO TELLER AREA

CONDUIT "P" FOR POWER
120VOLT, 60HZ, 20 AMP
DEDICATED BRANCH CIRCUIT
REQUIRED FOR EACH CUSTOMER UNIT.



ISLAND DETAIL

ADDITIONAL DRAWINGS TO REFERENCE:
95-699, 99-915, & 99-1140

REVISION DESCRIPTION	DATE
MIN CANOPY HEIGHT OF 10	6/8/2023

est. 1967

HAMILTON

CUSTOM MADE SECURITY

PROPRIETARY AND CONFIDENTIAL
THESE DRAWINGS ARE THE PROPERTY
OF HAMILTON SAFE CO. AND SHALL
NOT BE REPRODUCED, COPIED, USED
AS THE BASIS FOR MANUFACTURE OR
SALE OF APPARATUS WITHOUT
PERMISSION

DESCRIPTION	
PNEUMATIC TUBE SYSTEMS MODEL HA1000-XLR '101' SYSTEM - OVERHEAD TUBING	
DRAWING/MODEL NUMBER	99-1145
DATE	10/8/2021