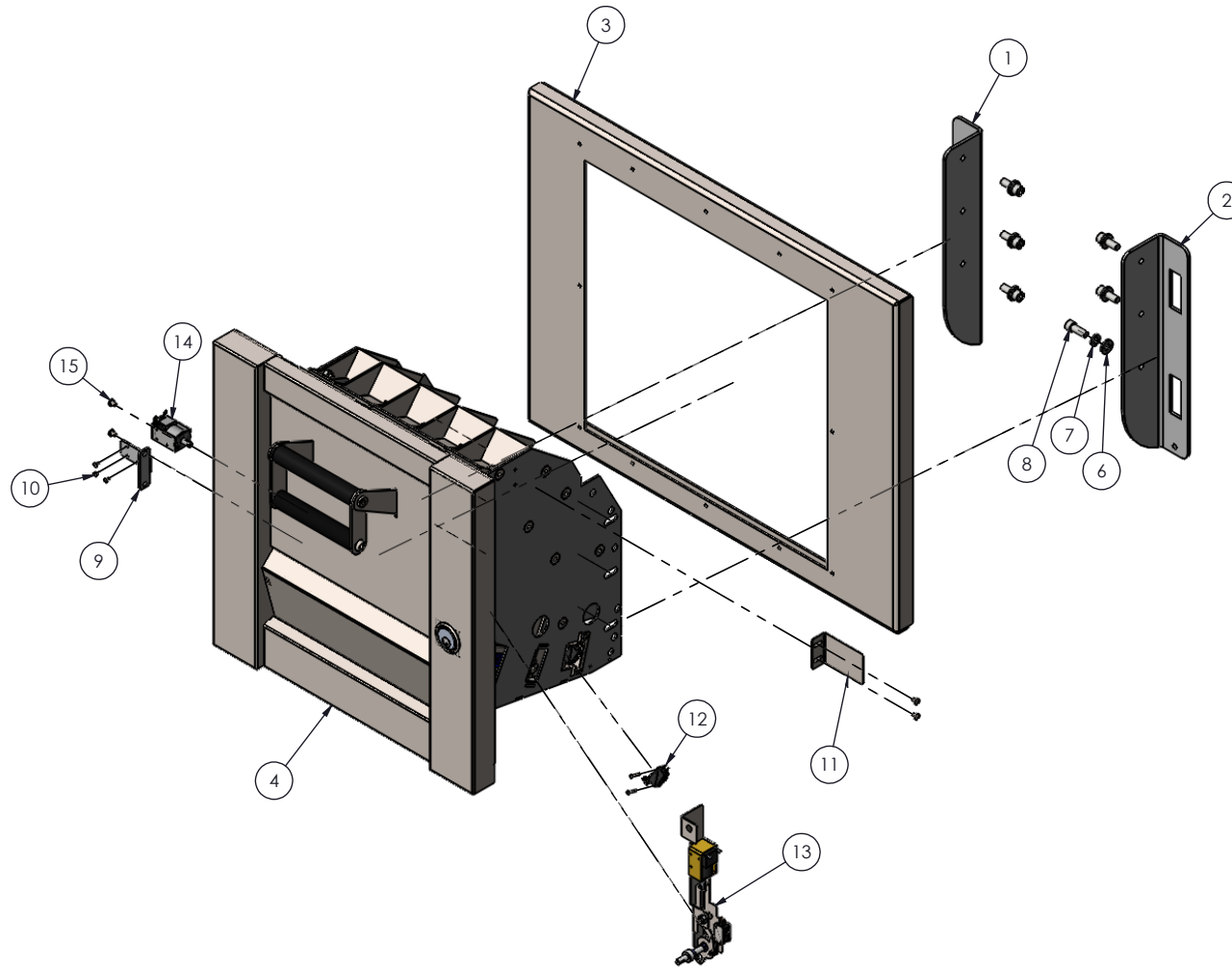



	Part Number	Description	QTY.
1	HBBD-917-21-A	Mounting Angle	1
2	HBBD-917-21-B	Mounting Angle	1
3	HBBD-917-OAK-10	SS FRONT FASCIA	1
4	OAK20	Oakley Night Depository Head, 20" Flat Face	1
5	HBBD-917-OAK-22	Stand	1
6	H0293	3/8 Flat Washer	6
7	H0294	.375" SPLIT LOCKWASHER	6
8	H0504	3/8-16 x 1 SHCS	6
9	HBBD-917-OAK-38	Solenoid Lock Bracket	1
10		6-32 x 3/16 Phillips Pan MS (Zinc)	3
11	HBBD-917-OAK-34	Tamper Switch Bracket	1
12	E0173	Deposit Switch	1
13	ND21-SOL-KIT	Solenoid Kit	1
14	A420-065573-00	Power Fail Solenoid	1
15		10-32 x 1/4 Phillips Pan MS (Zinc)	



 <p>HAMILTON BY GUNNEBO</p>	<p>PROPRIETARY AND CONFIDENTIAL THESE DRAWINGS ARE THE PROPERTY OF HAMILTON SAFE CO. AND SHALL NOT BE REPRODUCED, COPIED, USED AS THE BASIS FOR MANUFACTURE OR SALE OF APPARATUS WITHOUT PERMISSION</p>	TITLE
		PART NUMBER
	OAK HBBD-917 Night Head	
DRAWN BY TerStr	DATE 7/16/2024	CHECKED BY DATE REVISION