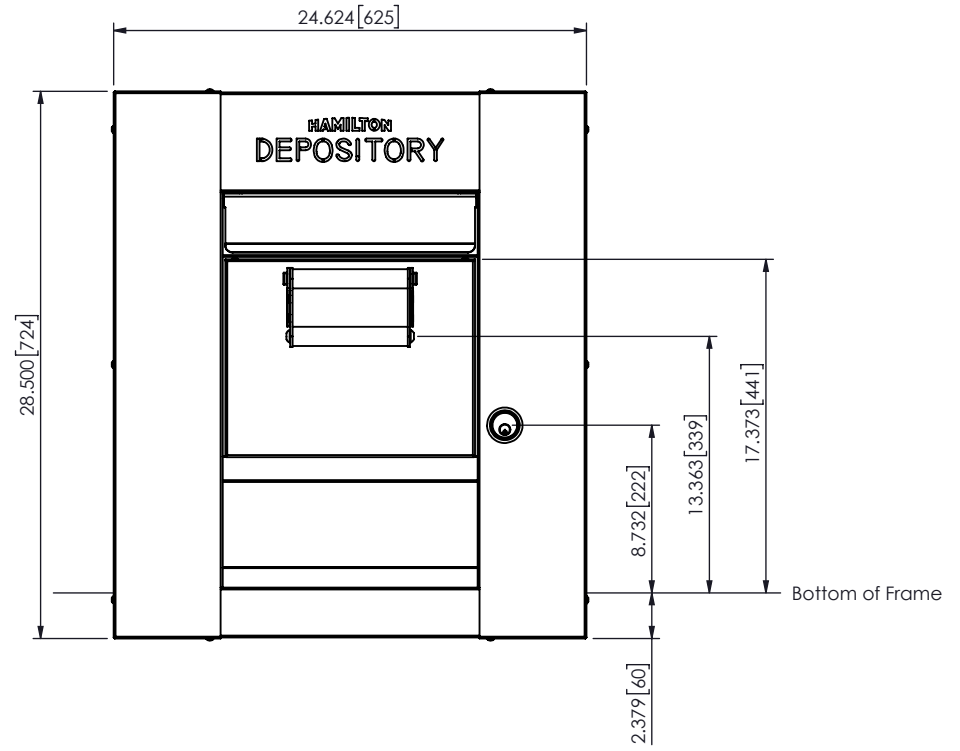
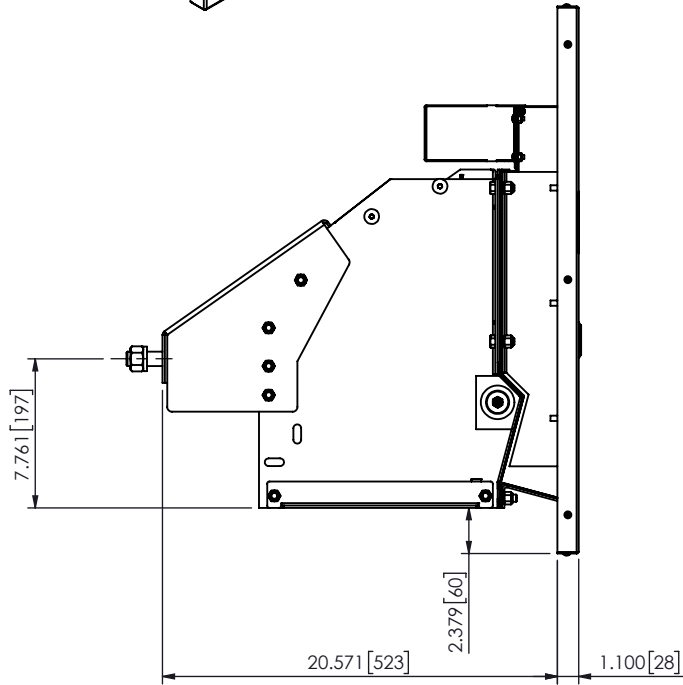
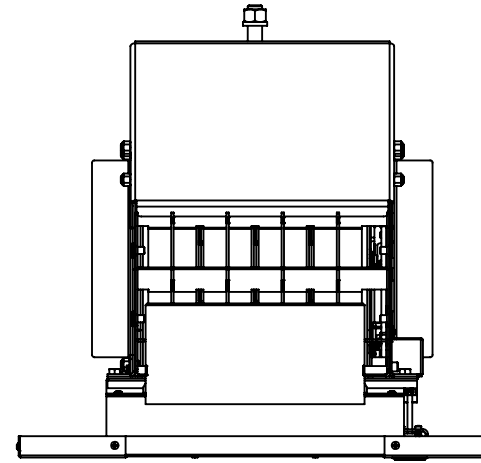
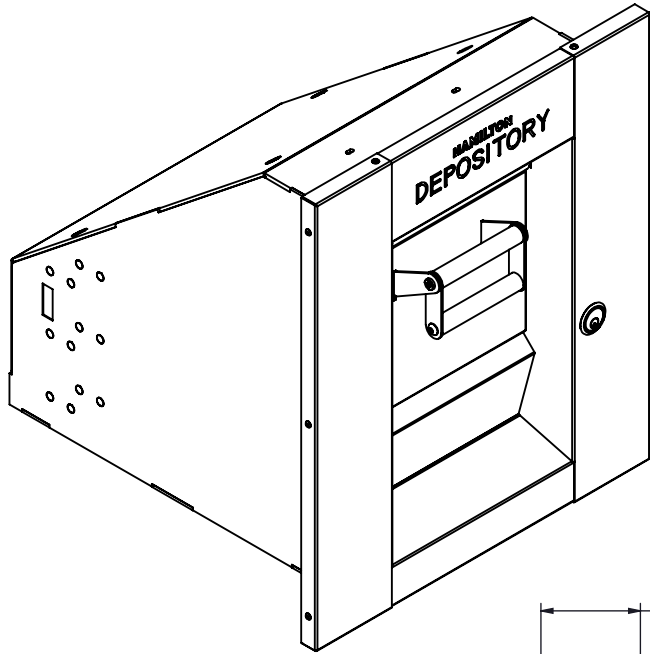


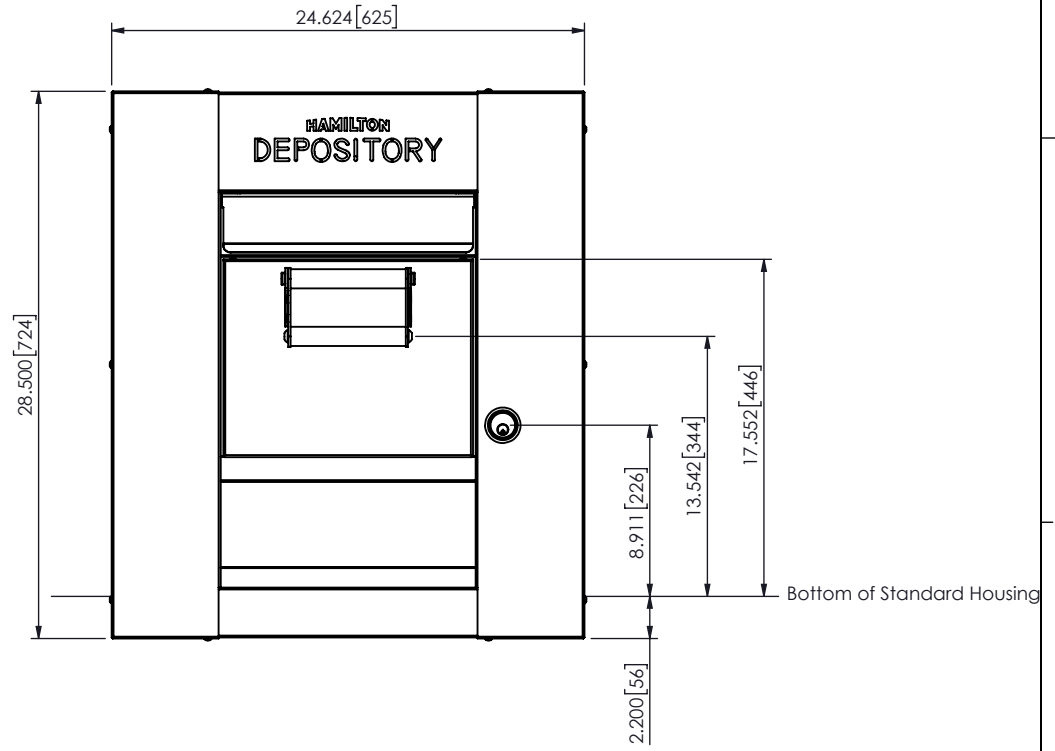
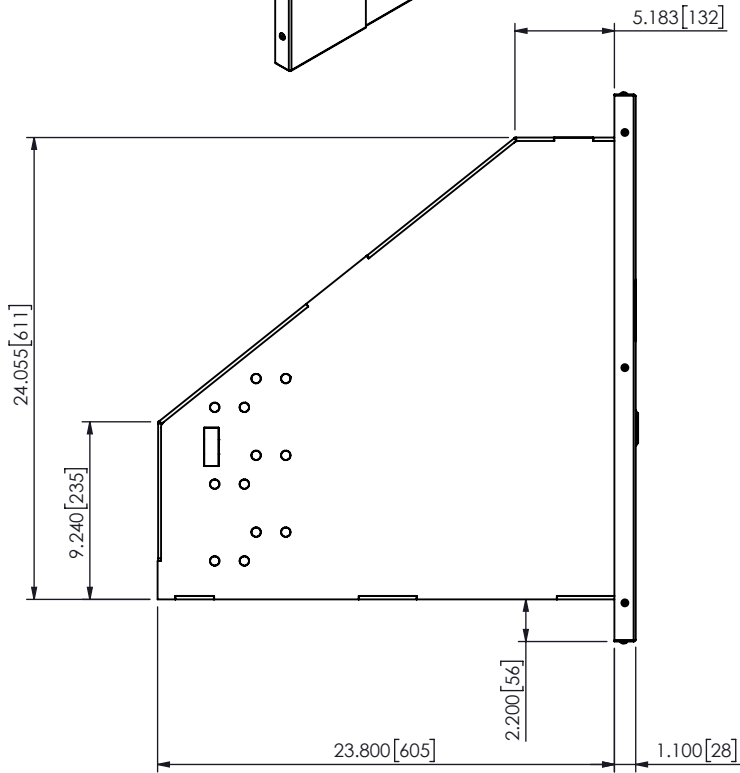
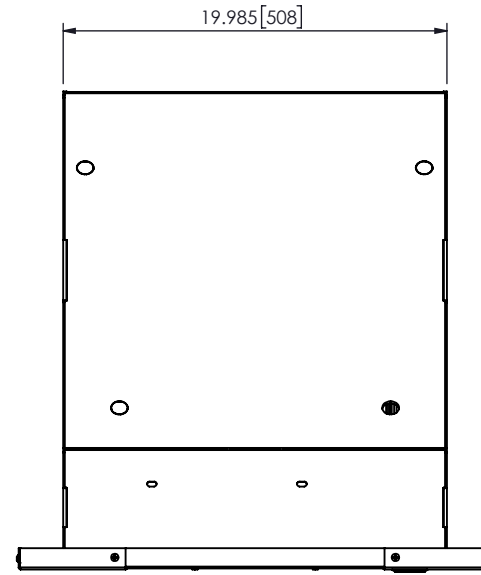
OAK-80 Night Depository



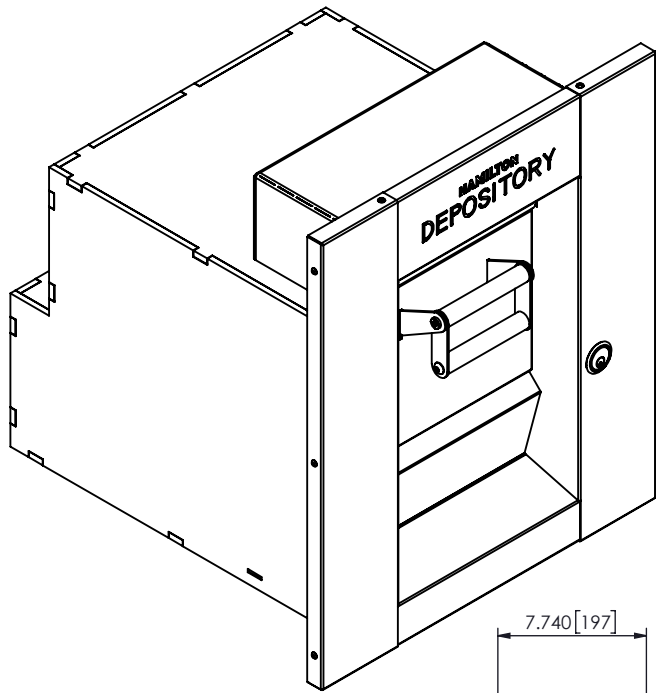
est. 1967 HAMILTON CUSTOM MADE SECURITY	PROPRIETARY AND CONFIDENTIAL THESE DRAWINGS ARE THE PROPERTY OF HAMILTON SAFE CO. AND SHALL NOT BE REPRODUCED, COPIED, USED AS THE BASIS FOR MANUFACTURE OR SALE OF APPARATUS WITHOUT PERMISSION		TITLE Oakley Night Depository Head	
	PART NUMBER OAK-80		DRAWN BY BilDef	
		DATE 1/5/2023	CHECKED BY	DATE
			REVISION	



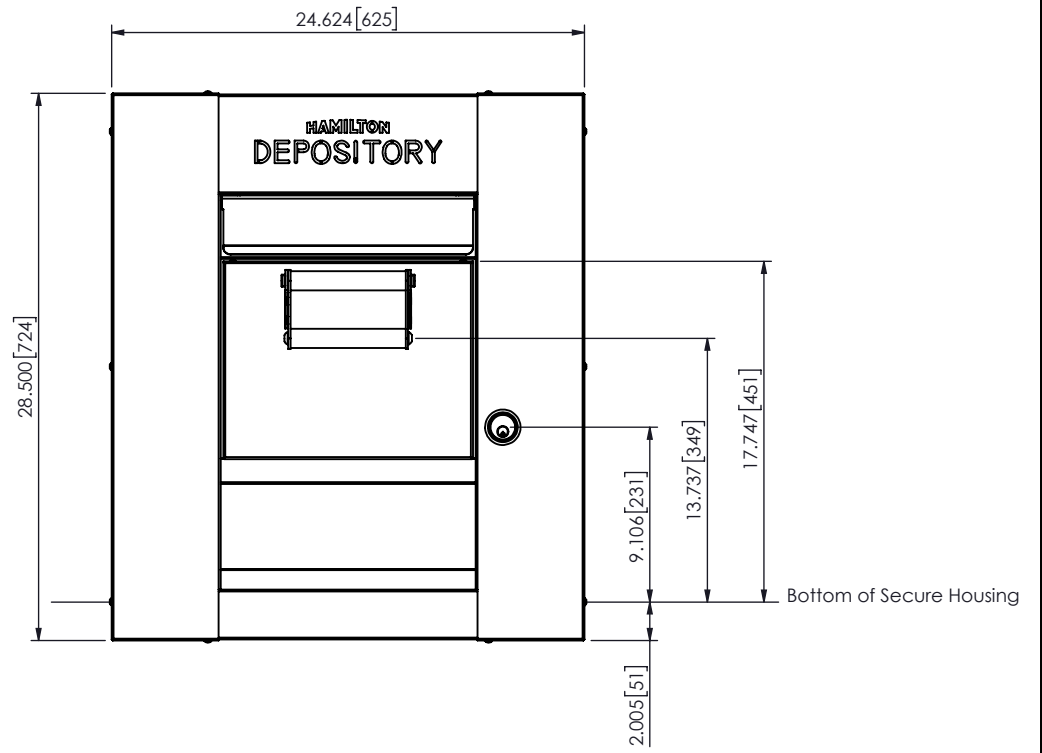
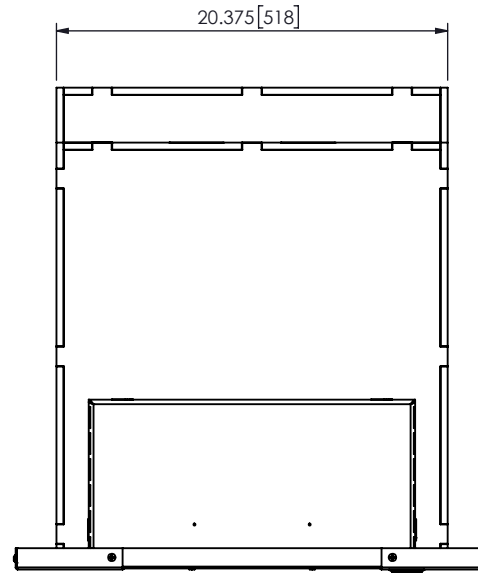
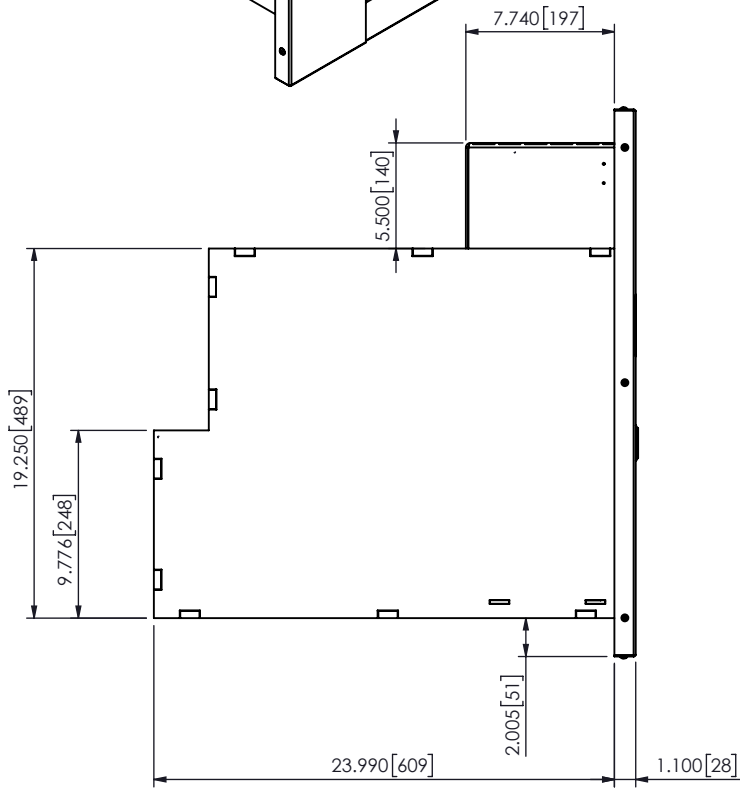
OAK-80 Night Depository shown with B2590-STD Housing



est. 1967 HAMILTON CUSTOM MADE SECURITY	PROPRIETARY AND CONFIDENTIAL THESE DRAWINGS ARE THE PROPERTY OF HAMILTON SAFE CO. AND SHALL NOT BE REPRODUCED, COPIED, USED AS THE BASIS FOR MANUFACTURE OR SALE OF APPARATUS WITHOUT PERMISSION	TITLE Oakley Night Depository Head w/ Standard Housing
	PART NUMBER OAK-80 + B2590-STD	DRAWN BY BilDef
DATE 1/5/2023	CHECKED BY	DATE
REVISION	REVISION	REVISION



OAK-80 Night Depository shown with B2590-SECURE Housing



est. 1967 HAMILTON CUSTOM MADE SECURITY	PROPRIETARY AND CONFIDENTIAL THESE DRAWINGS ARE THE PROPERTY OF HAMILTON SAFE CO. AND SHALL NOT BE REPRODUCED, COPIED, USED AS THE BASIS FOR MANUFACTURE OR SALE OF APPARATUS WITHOUT PERMISSION		TITLE Oakley Night Depository Head w/ Secure Housing		
			PART NUMBER OAK-80 + B2590-SECURE		
	DRAWN BY BilDef	DATE 1/5/2023	CHECKED BY	DATE	REVISION