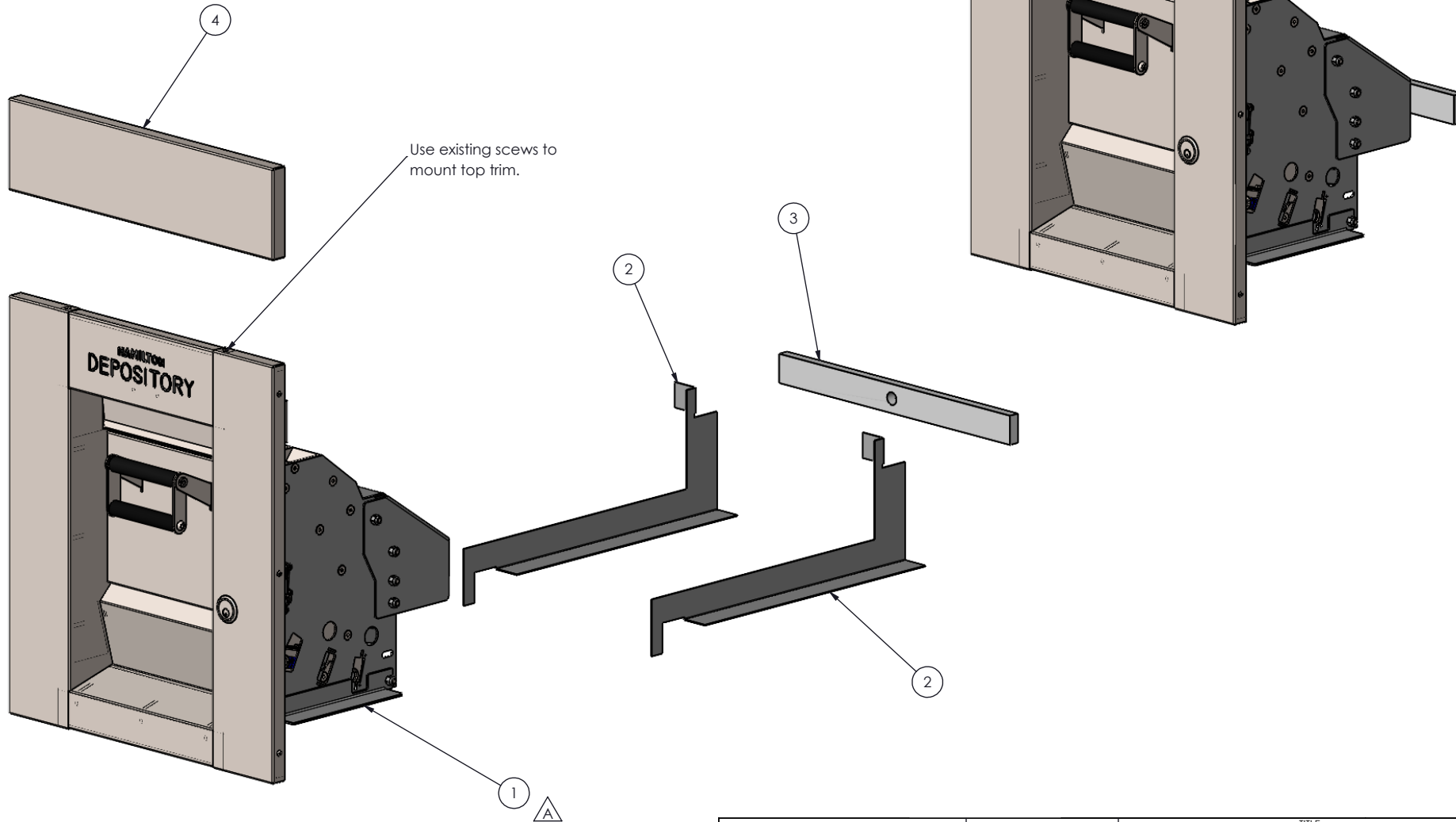


ITEM NO.	PartNo	DESCRIPTION	QTY.
1	OAK-80	Night Depository Head	1
2	80UCTEMP	Template, 80UC & OAK-80 Anchor Bar Location	2
3	B3830	Anchor Bar, 21.5" for 80-UC & OAK-80	1
4	ND21-6001	Top Trim Extension 6.25", OAK-80	1



Revision Table		
REV.	DESCRIPTION	DATE
A	Made new drawing for Oakley series night depositories	9/14/2023

est. 1967 HAMILTON CUSTOM MADE SECURITY	PROPRIETARY AND CONFIDENTIAL THESE DRAWINGS ARE THE PROPERTY OF HAMILTON SAFE CO. AND SHALL NOT BE REPRODUCED, COPIED, USED AS THE BASIS FOR MANUFACTURE OR SALE OF APPARATUS WITHOUT PERMISSION		TITLE Replacement Kit, Diebold - Cashgard	
	PART NUMBER B6883		DRAWN BY BilDef	DATE 9/14/2023
		DATE 	REVISION A	