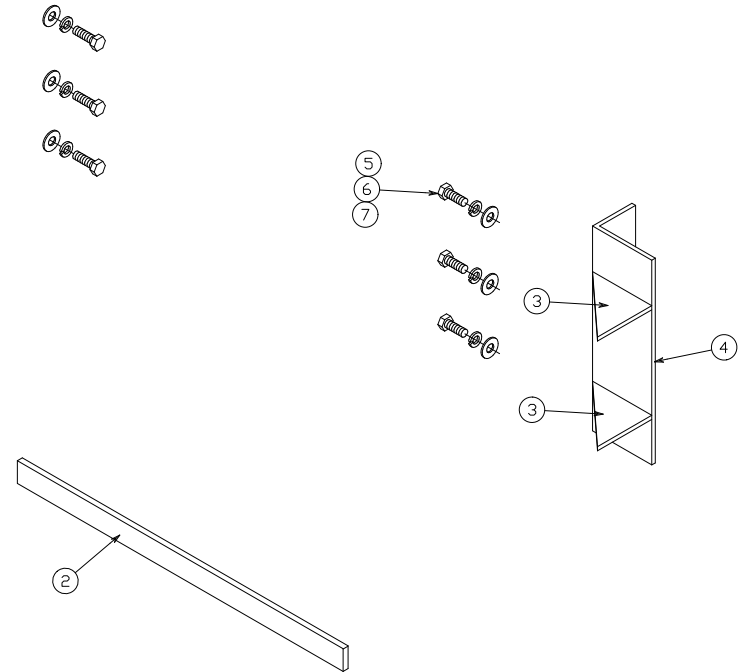


NOTE: TO MOUNT TRIM, USE PRE-EXISTING BOLTS ON SIDES OF HEAD (6 PLCS.)

NOTE: THIS SIDE BOLTS INTO PRE-EXISTING MOUNTS



7	H0293	3/8 FLAT WASHER	6
6	H0294	3/8 SPLIT LOCK WASHER	6
5	H0504	3/8-16 X 1 SOCKET CAP (PL)	6
4	B6361	ANCHOR ANGLE	1
3	B6362	ANCHOR ANGLE GUSSET	2
2	B6384	SUPPORT BRACKET	1
1	B6356-1	6" TRIM COLLAR SS COVER	1
REF.#	P/N	DESCRIPTION	QTY.

HAMILTON SAFE

SCALE:	MATERIAL:	DRAWN BY: B.DETHERAGE
SCALE FACTOR:		BEND ALLOWANCE:

TITLE: **□AK-98/98RH to LeFebure 612**

TOLERANCES UNLESS OTHERWISE NOTED:	DATE:	DRAWING NUMBER:	REVISION:
FRACTIONS: ± 1/64"	11/2/98	B6357	C
DECIMALS: ± .005			
ANGLES: ± 1/2°			