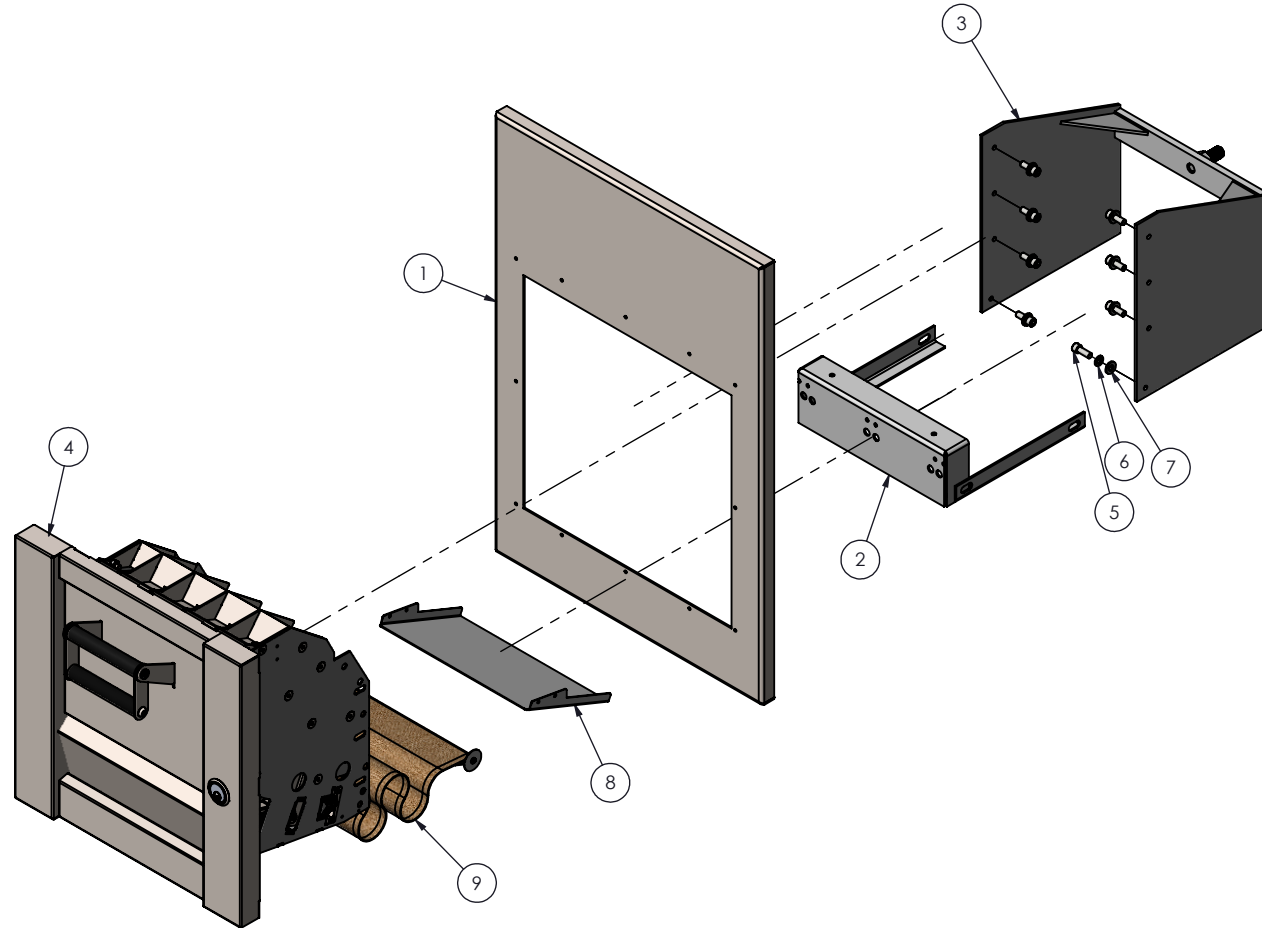


	Part Number	Description	QTY.
1	OAK-ARK-001	American 85, ADNAC Fascia	1
2	OAK-ARK-010	Ramp Angle Welded Assembly	1
3	OAK-ARK-009	OAK-ARK Mounting WSA	1
4	OAK20	Oakley Night Depository Head, 20" Flat Face	1
5	H0504	.375"-16 X 1 SHCS	8
6	H0294	.375" SPLIT LOCKWASHER	8
7	H0293	3/8 Flat Washer	8
8	OAK-ARK-003	Ramp	1
9	OAK-FLEX-29	29" Long Extended Flex Chute Kit	1



<b>HAMILTON</b> BY <b>GUNNEBO</b>	PROPRIETARY AND CONFIDENTIAL THESE DRAWINGS ARE THE PROPERTY OF HAMILTON AND SHALL NOT BE REPRODUCED, COPIED, USED AS THE BASIS FOR MANUFACTURE OR SALE OF APPARATUS WITHOUT PERMISSION		TITLE OAK20 American 85 - ADNAC Kit	
	All Weld Notes Comply With AWS A2.4-98 Standards		PART NUMBER 96-963_OAK20 American 85-ADANAC Kit	FINISH
	DRAWN BY TerStr	DATE 3/18/2024	CHECKED BY DATE	REVISION