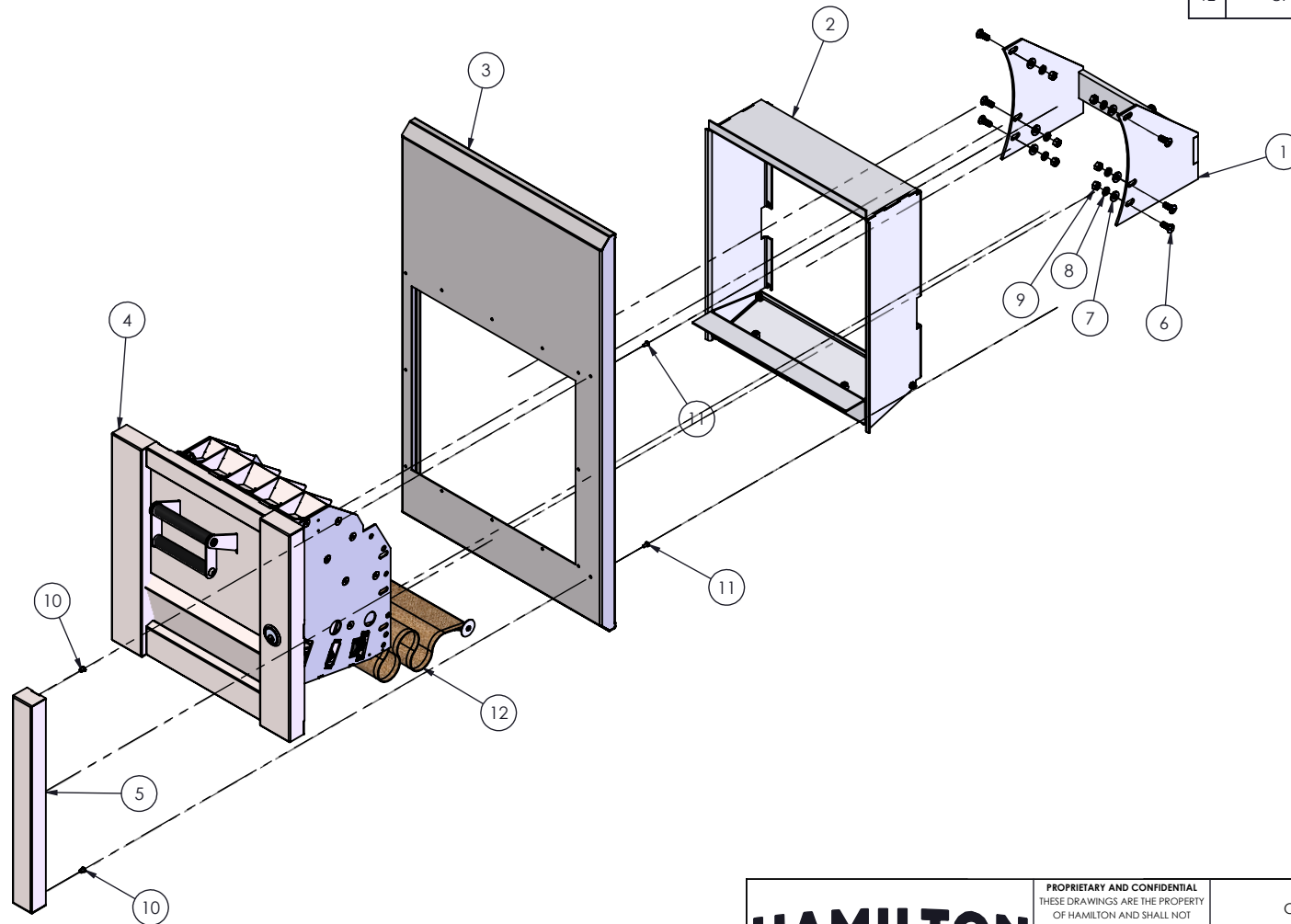


	Part Number	Description	QTY.
1	OAK-PSS-11	OAK Polaris Mounting Bracket	1
2	OAK-PSS-10	Spacer Frame	1
3	OAK-PLL-01	OAK PLL Fascia	1
4	OAK-20	Oakley Night Depository Head, 20" Flat Face	1
5	OAK-POU-03	Polaris Over Under Side Trim	1
6	90911A624 PLOW BOLT	3/8-16 x 1	6
7	H0293	3/8 Flat Washer	6
8	H0294	.375" SPLIT LOCKWASHER	6
9	H0305	3/8-16 Hex Nut	6
10		Zinc-Plated Steel Heavy-Duty Rivet Nut	2
11		10-32 x 3/8 Phillips Pan (Zinc)	2
12	OAK-FLEX-29	29" Long Extended Flex Chute Kit	1



	<small>PROPRIETARY AND CONFIDENTIAL THESE DRAWINGS ARE THE PROPERTY OF HAMILTON AND SHALL NOT BE REPRODUCED, COPIED, USED AS THE BASIS FOR MANUFACTURE OR SALE OF APPARATUS WITHOUT PERMISSION</small>		<small>TITLE</small> <b>OAK Polaris Over Under With Clearing Safe Kit</b>	
			<small>PART NUMBER</small> <b>96-956</b>	<small>FINISH</small>
	<small>DRAWN BY</small>	<small>DATE</small>	<small>CHECKED BY</small>	<small>DATE</small>

All Weld Notes Comply With AWS A2.4-98 Standards