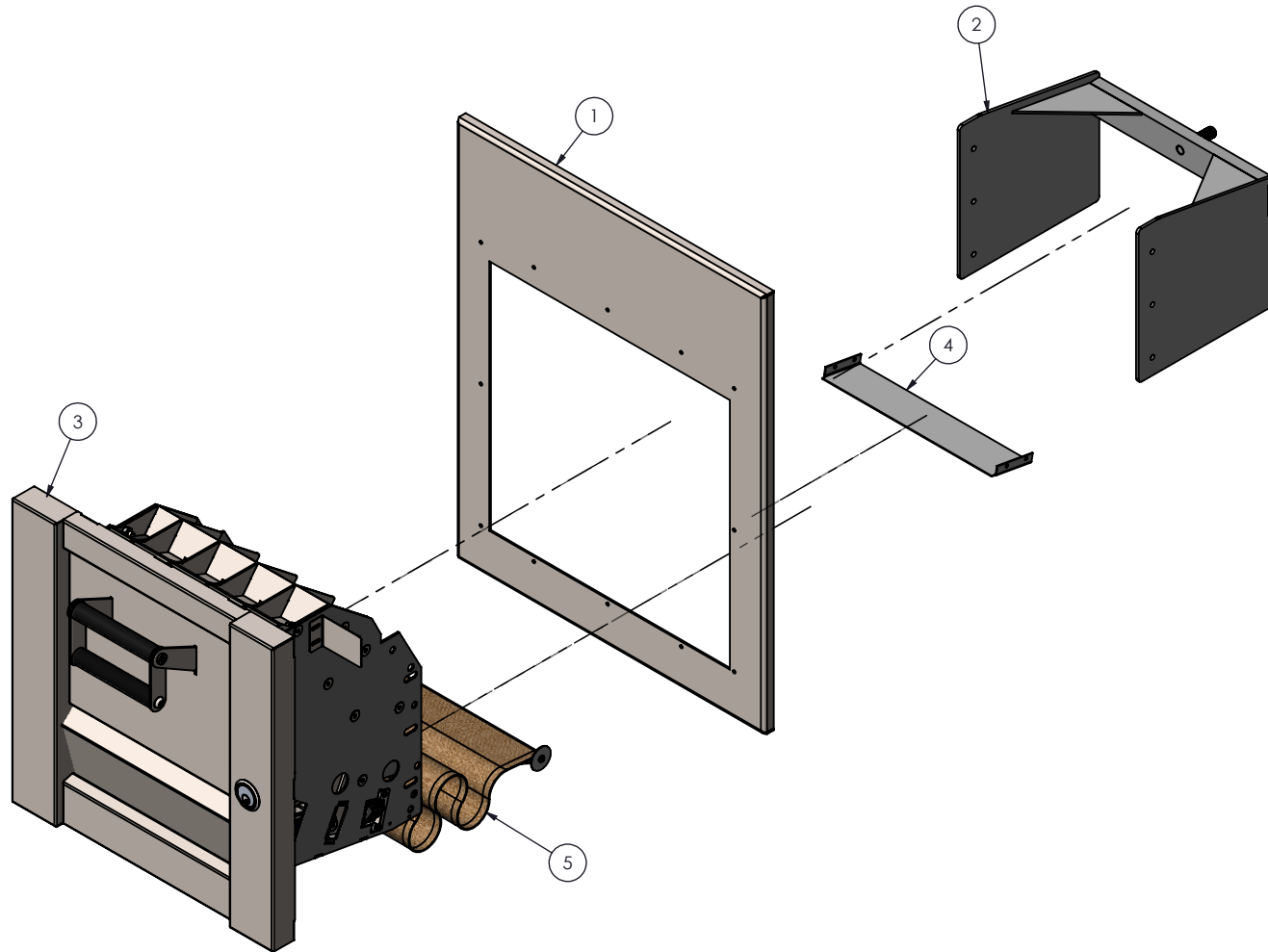


| | Part Number | Description | QTY. |
|---|-------------|---|------|
| 1 | OAK-Q-07 | SS Fascia | 1 |
| 2 | OAK-Q-08 | Q Mounting WSA | 1 |
| 3 | OAK20 | Oakley Night Depository Head, 20" Flat Face | 1 |
| 4 | OAK-Q-05 | Ramp | 1 |
| 5 | OAK-FLEX-29 | 29" Long Extended Flex Chute Kit | 1 |



| | | | | |
|---|--|-----------------------------------|----------------------------------|---------------------------|
| <p>HAMILTON BY GUNNEBO</p> | <small>PROPRIETARY AND CONFIDENTIAL THESE DRAWINGS ARE THE PROPERTY OF HAMILTON AND SHALL NOT BE REPRODUCED, COPIED, USED AS THE BASIS FOR MANUFACTURE OR SALE OF APPARATUS WITHOUT PERMISSION</small> | | <small>TITLE</small> | |
| | <small>96-862_OAK20 Chubb Q-Head Without Brass Trim</small> | | <small>PART NUMBER</small> | |
| | <small>DATE</small> | | <small>FINISH</small> | |
| <small>All Weld Notes Comply With AWS A2.4-98 Standards</small> | | <small>DRAWN BY</small> TerStr | <small>DATE</small> 3/18/2024 | <small>CHECKED BY</small> |
| | | | | <small>REVISION</small> |