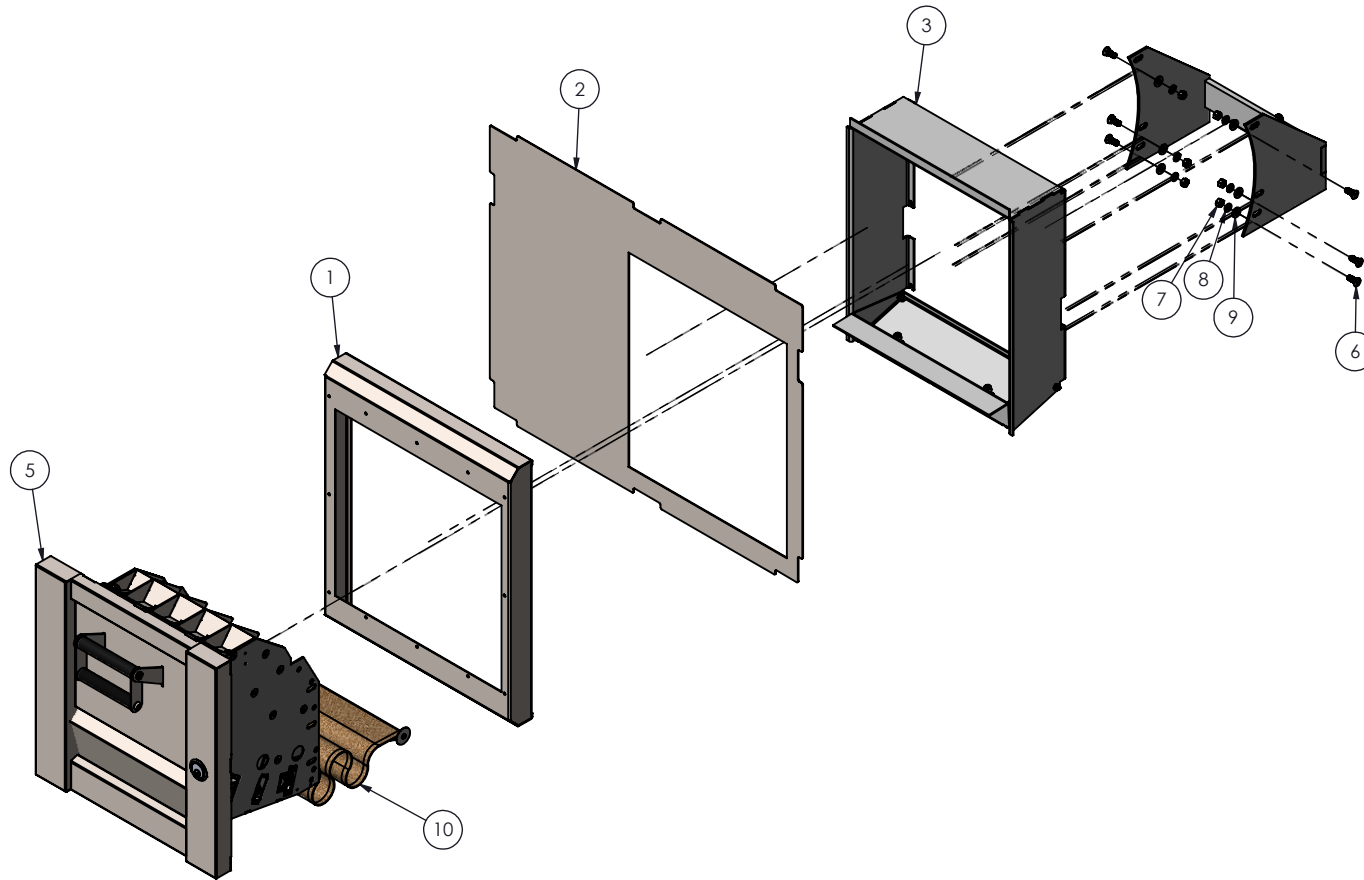


Part Number	Description	QTY.	
1	OAK-PSS-01	OAK PSS Fascia	1
2	OAK-PSS-02	OAK PSS Cover Plate	1
3	OAK-PSS-10	Spacer Frame	1
4	OAK-PSS-11	OAK Polaris Mounting Bracket	1
5	OAK20	Oakley Night Depository Head, 20" Flat Face	1
6	90911A624 FLOW BOLT	3/8-16 x 1	6
7	H0305	3/8-16 Hex Nut	6
8	H0294	.375" SPLIT LOCKWASHER	6
9	H0293	3/8 Flat Washer	6
10	OAK-FLEX-29	29" Long Extended Flex Chute Kit	1



<p><b>HAMILTON</b> BY <b>GUNNEBO</b></p> <p>PROPRIETARY AND CONFIDENTIAL THESE DRAWINGS ARE THE PROPERTY OF HAMILTON AND SHALL NOT BE REPRODUCED, COPIED, USED AS THE BASIS FOR MANUFACTURE OR SALE OF APPARATUS WITHOUT PERMISSION</p> <p>All Weld Notes Comply With AWS A2.4-98 Standards</p>	TITLE	
	PART NUMBER	FINISH
	96-802_OAK-Polaris Side By Side	
DRAWN BY	DATE	CHECKED BY
TerStr	3/18/2024	
	REVISION	