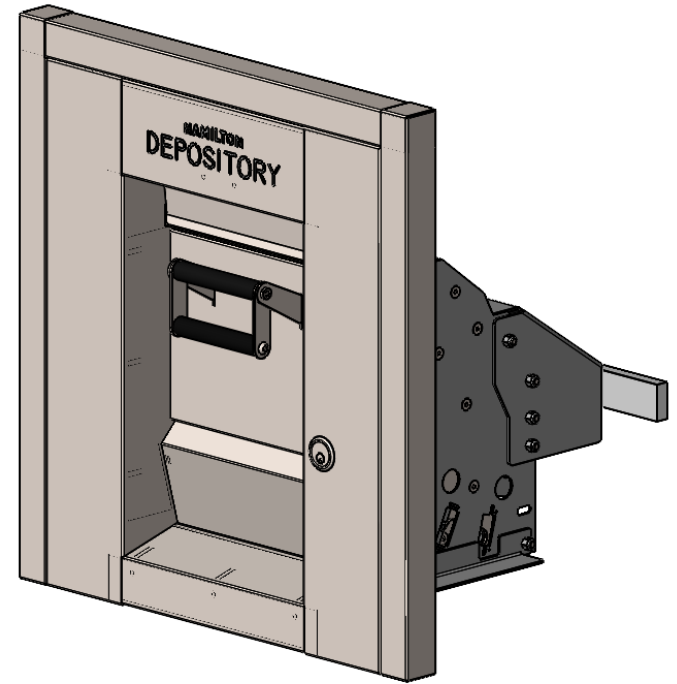
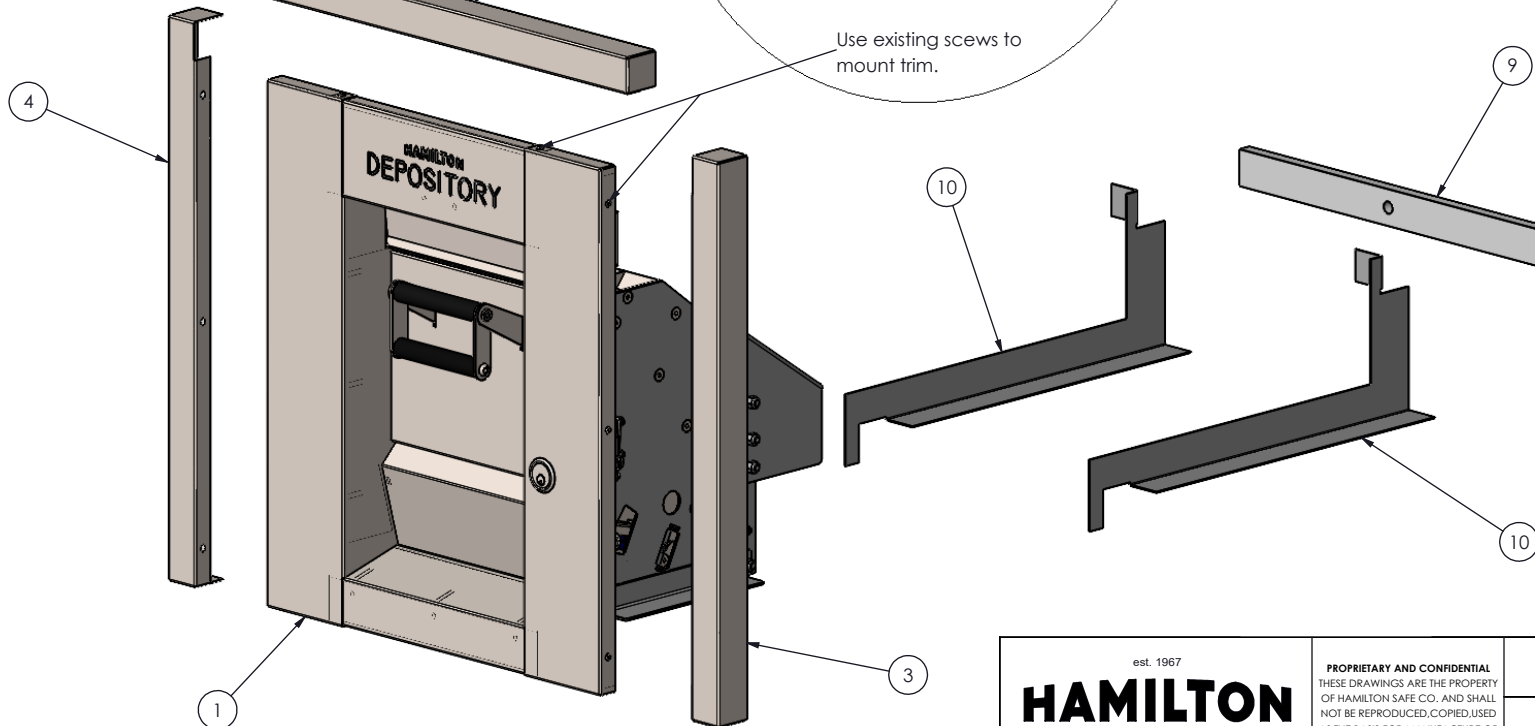
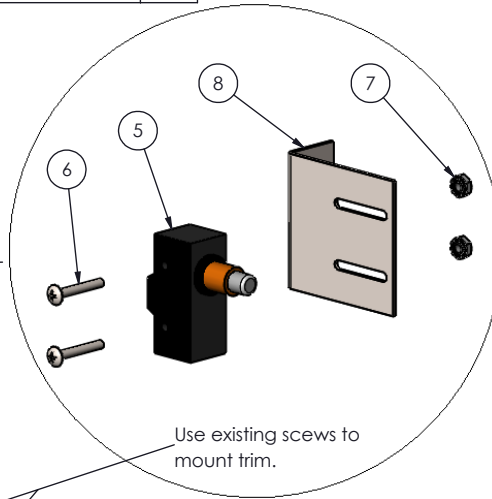
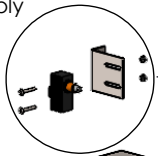


ITEM NO.	PartNo	DESCRIPTION	QTY.
1	OAK-80	Night Depository Head	1
2	ND21-6003	2" Top Trim Extension, OAK-80 (Used with 2" Side Trim)	1
3	ND21-6004	2" Right Side Trim, OAK-80 (Use with 2" Top Trim)	1
4	ND21-6005	2" Left Side Trim, OAK-80 (Use with 2" Top Trim)	1
5	E6001	PLUNGER SWITCH (Z15GQ-B7-K)	1
6	MXT6C100/Z	6-32 x 1 Phillips Truss MS (Zinc)	2
7	NKE6C/Z	6-32 Hex KEPS Nut (Zinc)	2
8	B6370	Nighthead Switch Bracket, Replacement Kits	1
9	B3830 - 1	Anchor Bar, 22" for 80-UC & OAK-80	1
10	80UCTEMP	Template, 80UC & OAK-80 Anchor Bar Location	2



Switch Assembly



est. 1967 HAMILTON CUSTOM MADE SECURITY	PROPRIETARY AND CONFIDENTIAL THESE DRAWINGS ARE THE PROPERTY OF HAMILTON SAFE CO. AND SHALL NOT BE REPRODUCED, COPIED, USED AS THE BASIS FOR MANUFACTURE OR SALE OF APPARATUS WITHOUT PERMISSION		TITLE Replacement Kit, Mosler Magna Dual	
	PART NUMBER 96-450		DRAWN BY	DATE
		CHECKED BY	DATE	REVISION