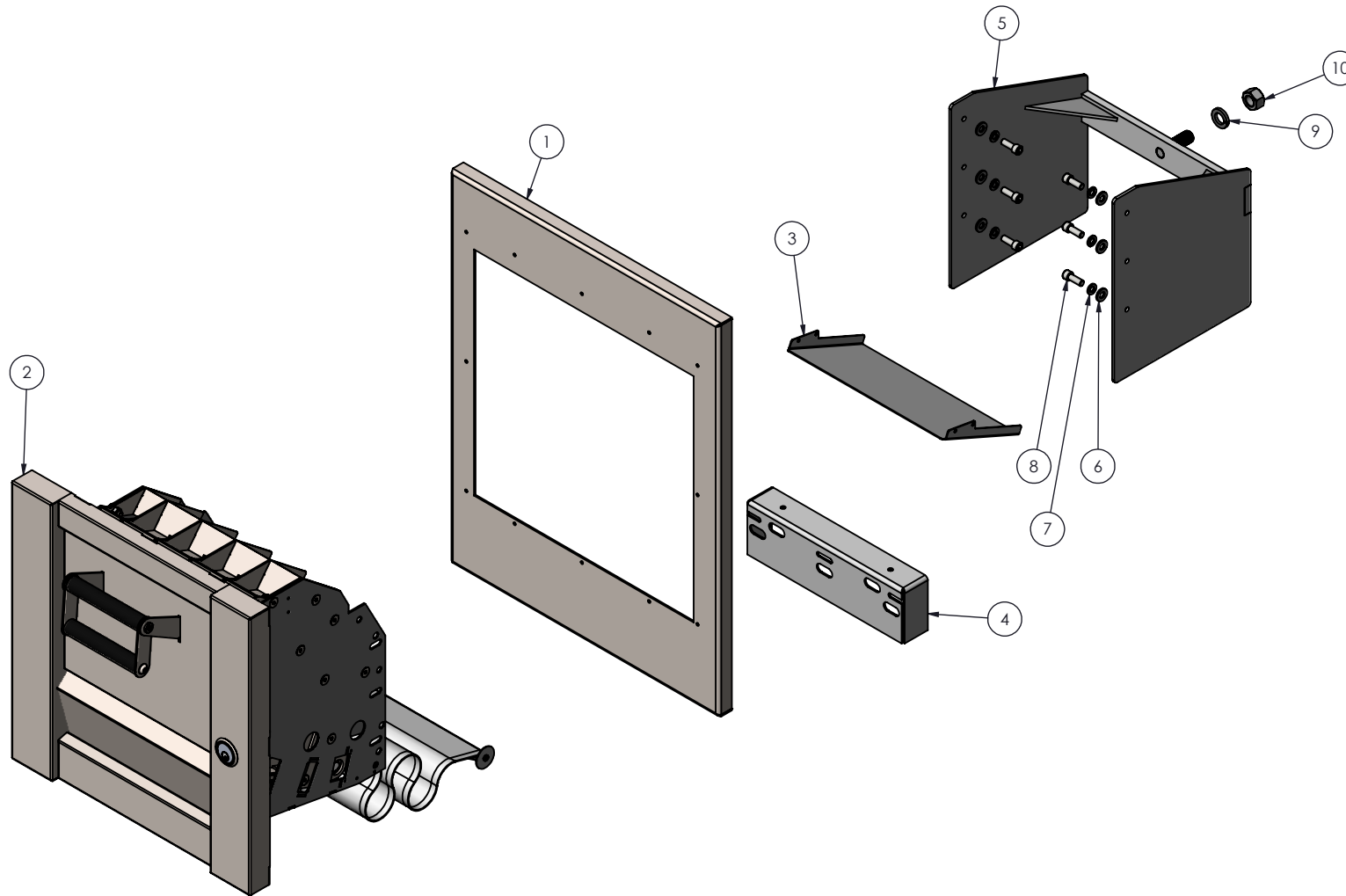


	Part Number	Description	QTY.
1	OAK-EN80-01	Early Narrow 80UC	1
2	OAK20	Night Depository Head	1
3	OAK-EN80-02	Ramp	1
4	OAK-EN80-03	Stand	1
5	OAK-EN80-06	Mounting Bracket	1
6	H0293	3/8 Flat Washer	6
7	H0294	.375" SPLIT LOCKWASHER	6
8	H0504	3/8-16 x 1 SHCS	6
9	H0387	3/4 Hex Nut	1
10	H0390	3/4 Lock Washer	1



<p>HAMILTON BY GUNNEBO</p>	<small>PROPRIETARY AND CONFIDENTIAL THESE DRAWINGS ARE THE PROPERTY OF HAMILTON AND SHALL NOT BE REPRODUCED, COPIED, USED AS THE BASIS FOR MANUFACTURE OR SALE OF APPARATUS WITHOUT PERMISSION</small>		<small>TITLE</small>	
	<small>DRAWN BY</small> TerStr		<small>PART NUMBER</small> 24-111_OAK20_Early Narrow 80UC	<small>FINISH</small>
	<small>All Weld Notes Comply With AWS A2.4-98 Standards</small>	<small>DATE</small> 5/8/2024	<small>CHECKED BY</small>	<small>DATE</small>