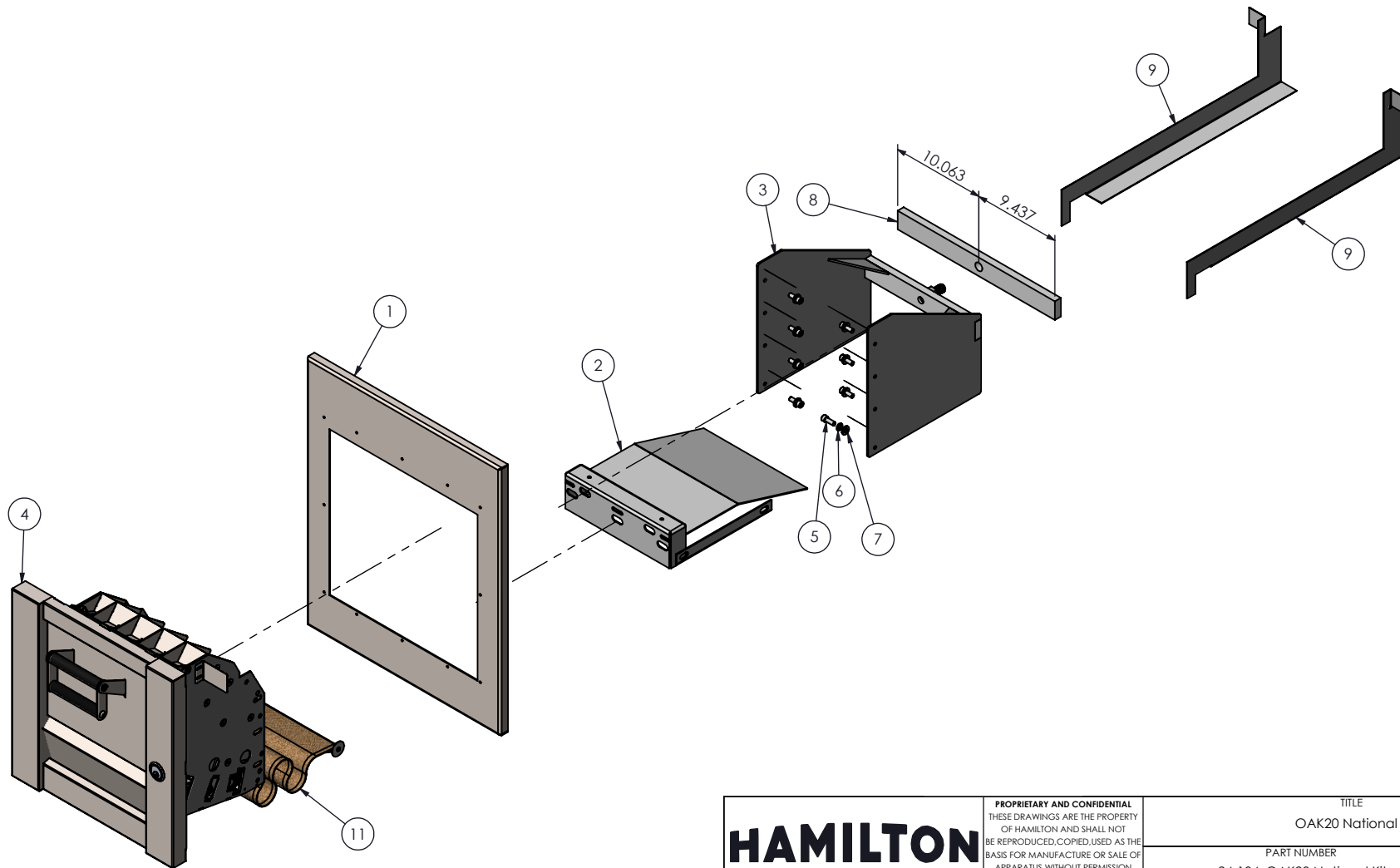


	Part Number	Description	QTY.
1	OAK-NAT-01	OAK National Fascia	1
2	OAK-NAT-09	OAK National Ramp WSA	1
3	OAK-NAT-10	OAK National Mounting WSA	1
4	OAK20	Oakley Night Depository Head, 20" Flat Face	1
5	H0504	.375-16 x 1 SHCS	8
6	H0294	.375" SPLIT LOCKWASHER	8
7	H0293	3/8 Flat Washer	8
8	OAK-NAT-08	19.5"	1
9	OAK-NAT-11	Template, National Head Anchor Bar Location	2
11	OAK-FLEX-29	29" Long Extended Flex Chute Kit	1



<p>HAMILTON BY GUNNEBO</p>	<p>PROPRIETARY AND CONFIDENTIAL THESE DRAWINGS ARE THE PROPERTY OF HAMILTON AND SHALL NOT BE REPRODUCED, COPIED, USED AS THE BASIS FOR MANUFACTURE OR SALE OF APPARATUS WITHOUT PERMISSION</p>		<p>TITLE OAK20 National Kit</p>	
	<p>All Weld Notes Comply With AWS A2.4-98 Standards</p>		<p>PART NUMBER 24-104_OAK20 National Kit</p>	<p>FINISH</p>
	<p>DRAWN BY TerStr</p>	<p>DATE 3/14/2024</p>	<p>CHECKED BY</p>	<p>DATE</p>