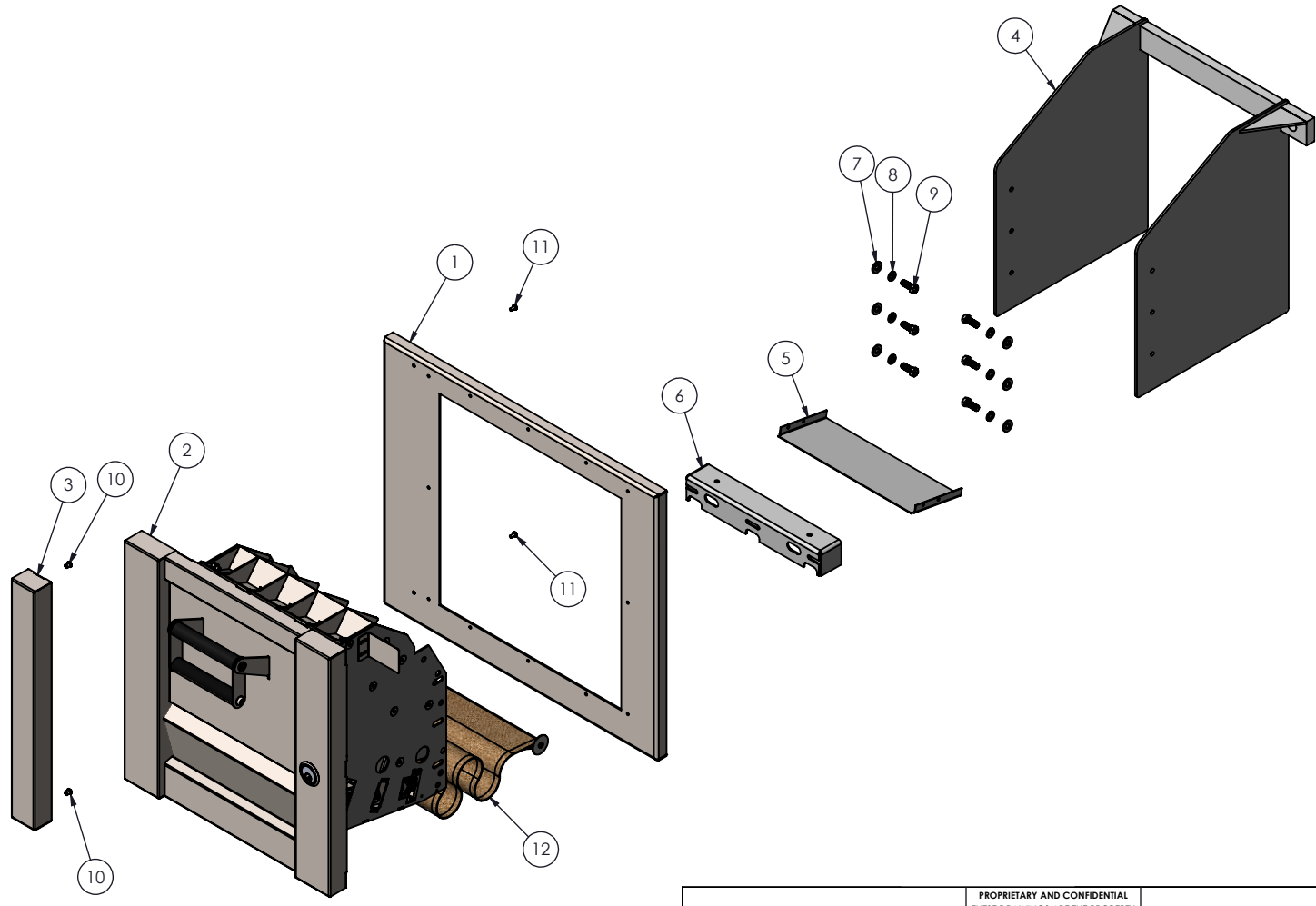


Part Number	Description	QTY.
1 OAK-MGM-001	Fascia	1
2 OAK20	Oakley Night Depository Head, 20" Flat Face	1
3 OAK-MGM-007	Side Trim	1
4 OAK-MGM-010	OAK-MGM-010 Mounting Assembly	1
5 OAK-MGM-004	Ramp	1
6 OAK-MGM-006	Stand	1
7 H0293	.375" FLAT WASHER	6
8 H0294	.375" SPLIT LOCKWASHER	6
9 H0504	3-8-16X1 HEX BOLT	6
10	Zinc-Plated Steel Heavy-Duty Rivet Nut	2
11	10-32 x 3/8 Phillips Pan (Zinc)	2
12 OAK-FLEX-29	29" Long Extended Flex Chute Kit	1



est. 1967 <b>HAMILTON</b> CUSTOM MADE SECURITY	<b>PROPRIETARY AND CONFIDENTIAL</b> THESE DRAWINGS ARE THE PROPERTY OF HAMILTON SAFE CO. AND SHALL NOT BE REPRODUCED, COPIED, USED AS THE BASIS FOR MANUFACTURE OR SALE OF APPARATUS WITHOUT PERMISSION	TITLE PART NUMBER 14-010_OAK20-MGM ND-88-H KIT	
	All Weld Notes Comply With AWS A2.4-98 Standards	DRAWN BY TerStr	DATE CHECKED BY 3/14/2024