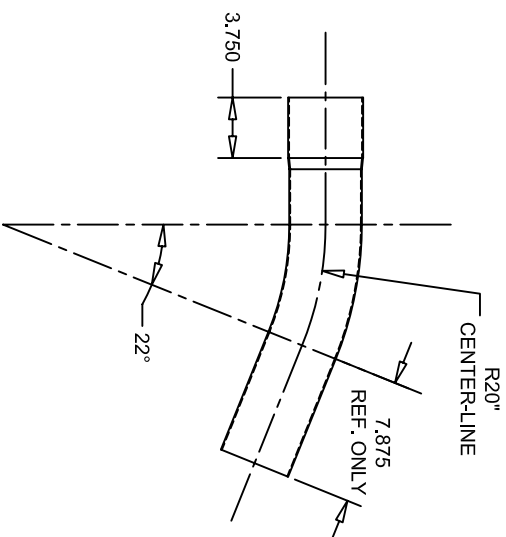
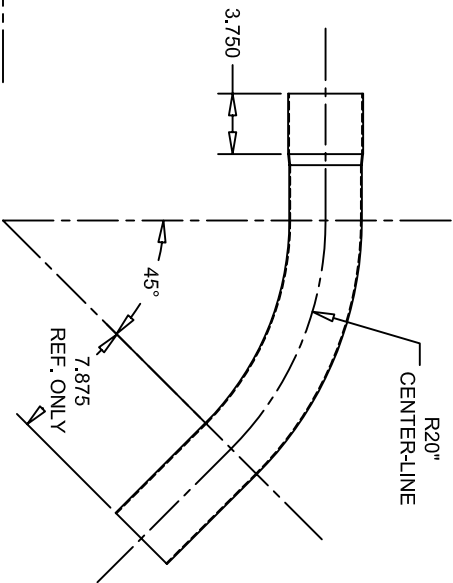
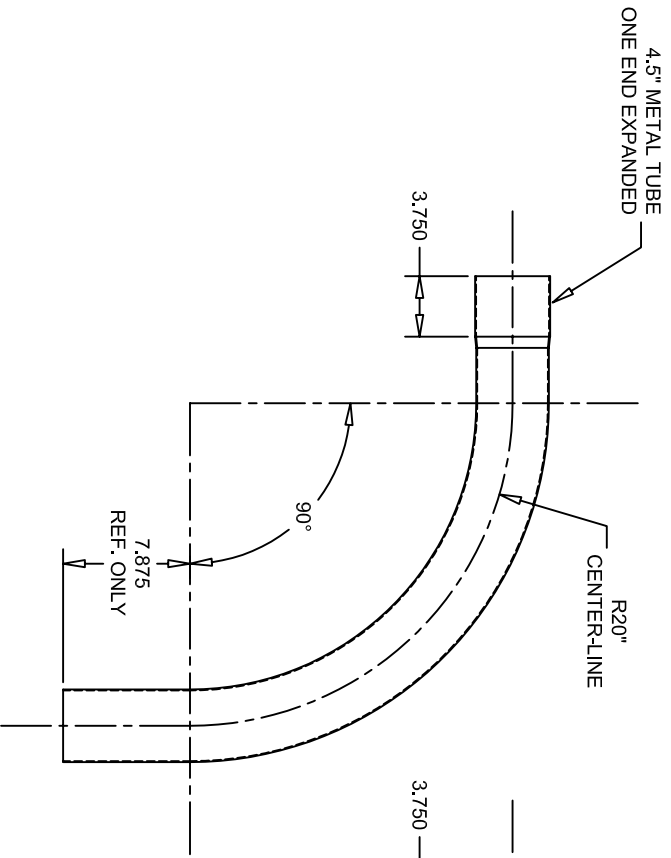


PART #T9108

PART #T9111

PART #T9113



THESE DRAWINGS ARE THE  
 PROPERTY OF HAMILTON AIR CO.  
 AND SHALL NOT BE REPRODUCED  
 OR COPIED OR USED AS THE BASIS  
 FOR MANUFACTURE OR SALE OF  
 APPARATUS WITHOUT PERMISSION

REV-1	DATE:	
REV-2	DATE:	
REV-3	DATE:	

HAMILTON AIR

METAL TUBE BEND DETAIL  
FOR REFERENCE ONLY

Drawing Number : T9108-T9111-T9113

Date : 11/05/02