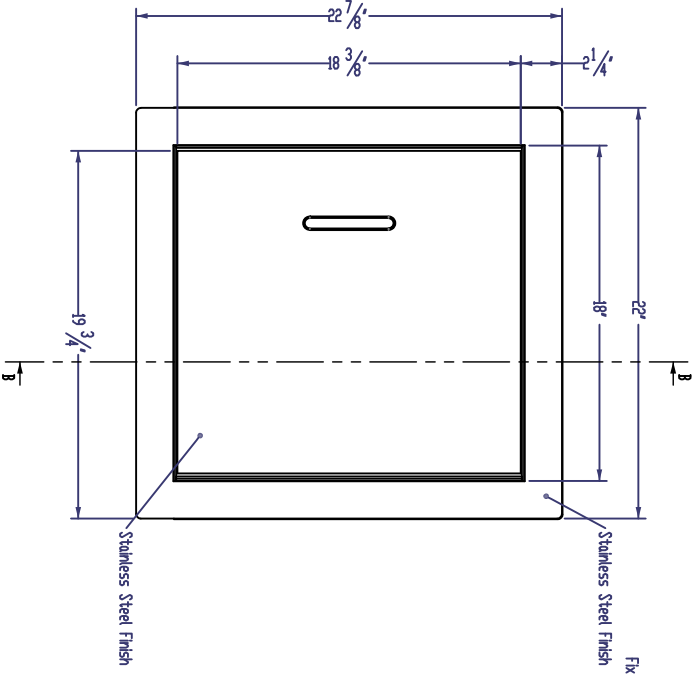
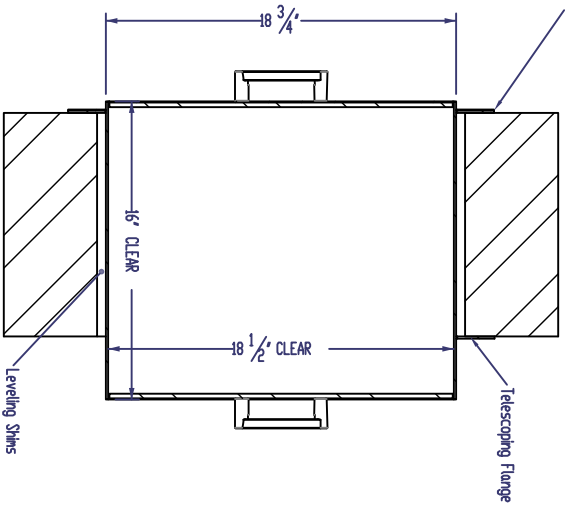


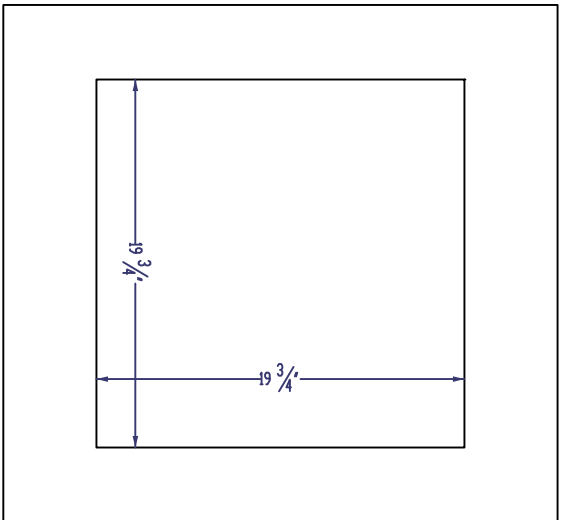
Plan View



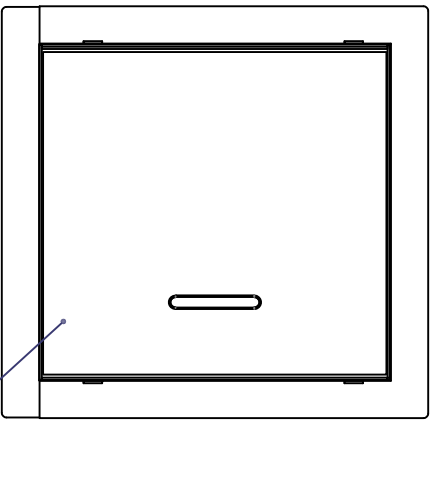
Exterior View



Section View (B)



Masonry Opening



Interior View

STD PRS-1 (12' x 12' x 16' Package Passer
 Color: Black w/Stainless Steel Exterior Door and Trim
 Standard Package Passer does not come with a lock
 Standard Interlock prevents both doors being
 opened simultaneously

HAMILTON
 By **GUNNISON**

PROPRIETARY AND CONFIDENTIAL
 THESE DRAWINGS ARE THE PROPERTY
 OF HAMILTON SAFE CO. AND SHALL
 NOT BE REPRODUCED, COPIED, OR
 SAID OF ANY PARTS FOR MANUFACTURE OR
 REPRODUCTION WITHOUT
 PERMISSION

Customer:	P.O. Number:
Dealer:	Quote Number:
Date:	PRS-2
Drawn By:	Sales Order Number: