

Model LPS-39-2

41 5/8"H x 32 5/8"W x 24"D

Paint Charcoal Grey

2 - Key Locking Dial Combination Lock

2 - Chest Handle

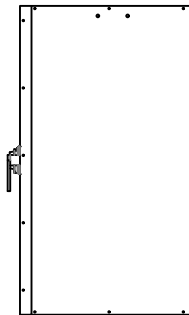
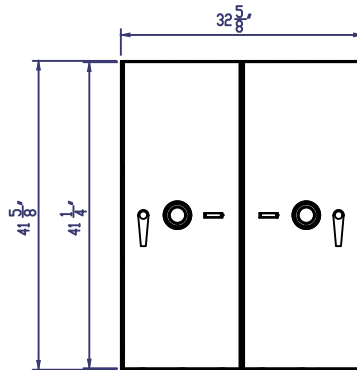
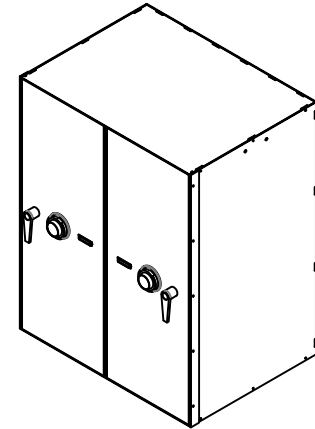
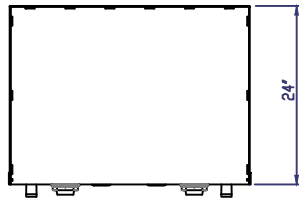
2 - Decorative Number Plates

2 - Adjustable Shelves (1 Per Opening)

2 - Boltwork

When Utilizing Adjustable  
Shelf Weight Limit Should Not  
Exceed 60 LBS

Est. Weight: 350 LBS



**HAMILTON**  
BY GUNNEBO

PROPRIETARY AND CONFIDENTIAL  
THESE DRAWINGS ARE THE PROPERTY  
OF HAMILTON SAFE CO. AND SHALL  
NOT BE REPRODUCED, COPIED, USED  
AS THE BASIS FOR MANUFACTURE OR  
SALE OF APPARATUS WITHOUT  
PERMISSION

DESCRIPTION

Painted Steel Lockers  
2 - 40" x 16" Openings

DRAWING/MODEL NUMBER  
Model LSP-39-2

DATE

7/18/2023