

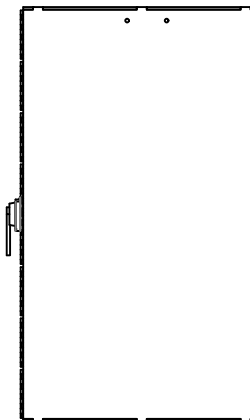
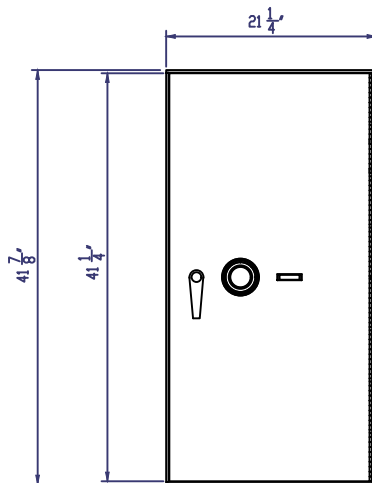
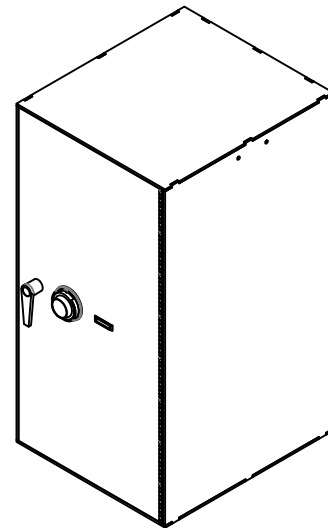
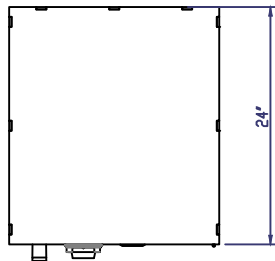
Model LPS-39-1
 41 7/8"H x 21 1/4"W x 24"D

Paint Charcoal Grey

- 1 - Key Locking Dial Combination Lock
- 1 - Chest Handle
- 1 - Decorative Number Plates
- 1 - Adjustable Shelf
- 1 - Boltwork

When Utilizing Adjustable
 Shelf Weight Limit Should Not
 Exceed 60 LBS

Est. Weight: 225 LBS



HAMILTON
 BY **GUINIBO**

PROPRIETARY AND CONFIDENTIAL
 THESE DRAWINGS ARE THE PROPERTY
 OF HAMILTON SAFE CO. AND SHALL
 NOT BE REPRODUCED, COPIED, USED
 AS THE BASIS FOR MANUFACTURE OR
 SALE OF APPARATUS WITHOUT
 PERMISSION

DESCRIPTION

Painted Steel Lockers
 1 - 40" x 20" Openings

DRAWING/MODEL NUMBER
 Model LSP-39-1

DATE

7/18/2023