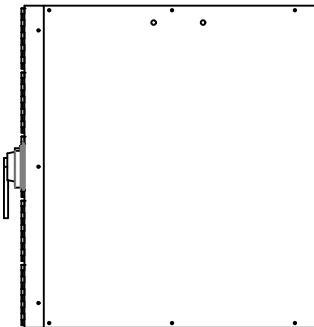
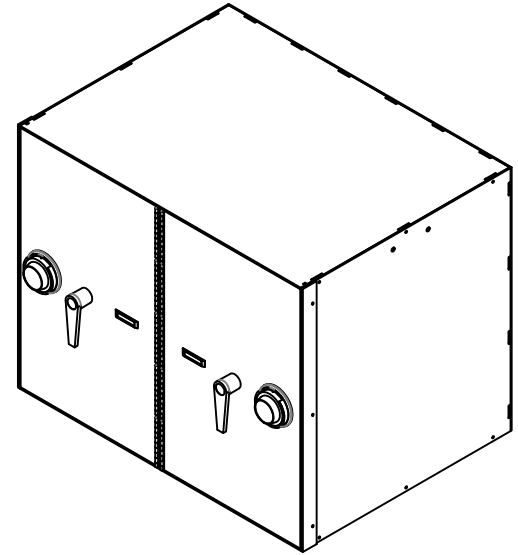
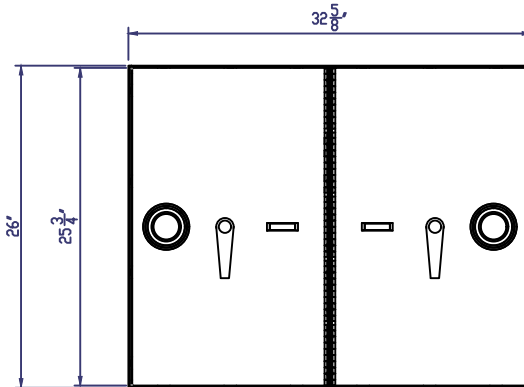
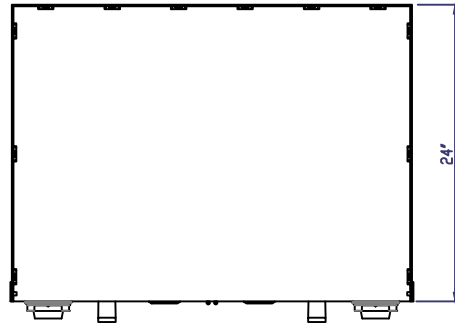


Model LPS-26-2  
 26"H x 32 5/8"W x 24"D  
 Paint Charcoal Grey  
 2 - KLD Combination Locks  
 2 - Dummy Handle  
 2 - Decorative Number Plates  
 2 - Adjustable Shelves (1 Per Opening)

When Utilizing Adjustable Shelf Weight  
 Limit Should Not Exceed 60 LBS

Est. Weight: 210 LBS



**HAMILTON**  
 BY GUNNEBO®

PROPRIETARY AND CONFIDENTIAL  
 THESE DRAWINGS ARE THE PROPERTY  
 OF HAMILTON SAFE CO. AND SHALL  
 NOT BE REPRODUCED, COPIED, USED  
 AS THE BASIS FOR MANUFACTURE OR  
 SALE OF APPARATUS WITHOUT  
 PERMISSION

DESCRIPTION

Painted Steel Lockers  
 2 - 26" x 16" Openings

DRAWING/MODEL NUMBER

Model LSP-26-2

DATE

7/18/2023