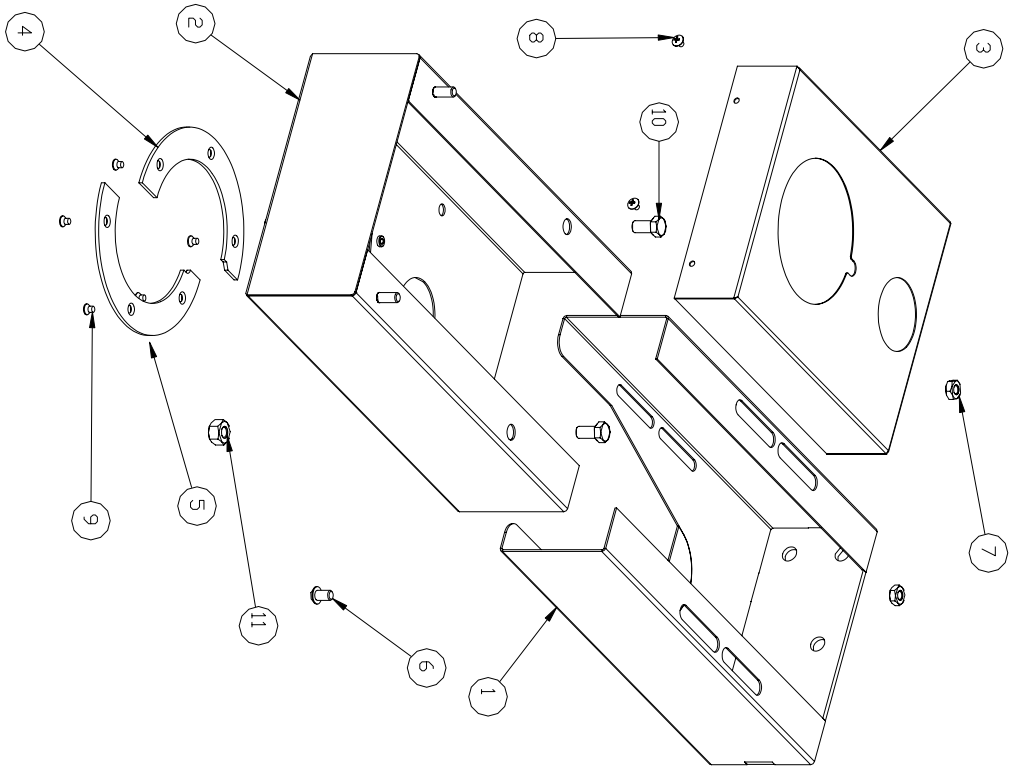
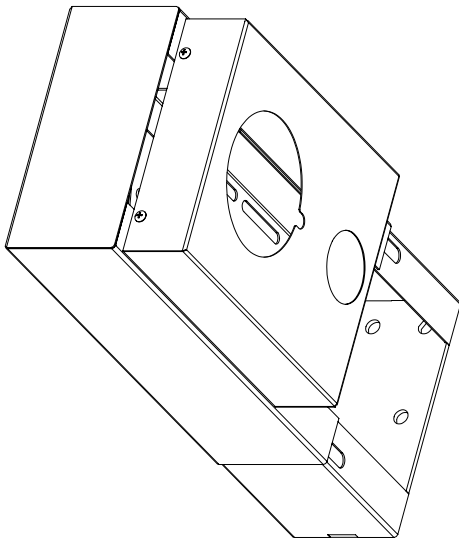


## Model B6945



ITEM NO.	PART NUMBER	DESCRIPTION	QTY.
1	LLWM-006	Main Wall Support Welded Subassy	1
2	LLWM-002	Teller Support Channel	1
3	LLWM-003	Teller Clamp Cover Pan	1
4	LLWM-004-L	Lower Left Tube Trim	2
5	LLWM-004-R	Lower Right Tube Trim	
6	Purchase Local	5/16-18 x 1/2 SBHCS (Zinc)	2
7	Purchase Local	5/16-18 Flanged Hex Nut (Zinc)	2
8	Purchase Local	8-32 x 1/4 THMS (SS)	2
9	Purchase Local	10-32 x 1/4 FHMS (Zinc)	6
10	Purchase Local	3/8-16 x 3/4 Hex Bolt (Zinc)	2
11	Purchase Local	3/8-16 Hex Nut (Zinc)	2

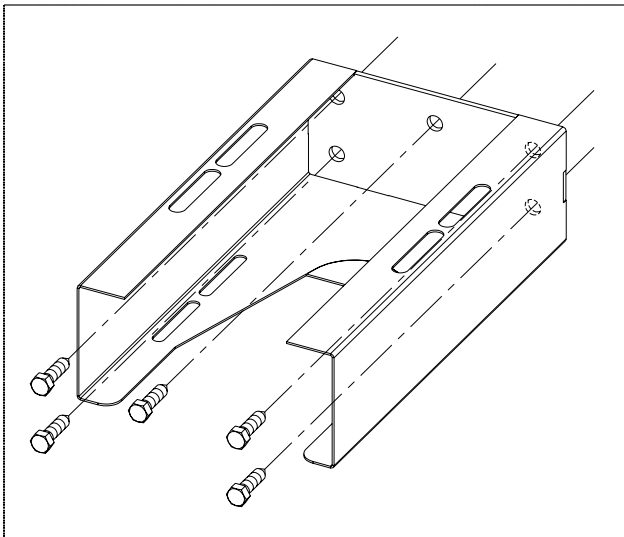


Revision "A" 10/10/08 (Added 3/8-16 Hardware)

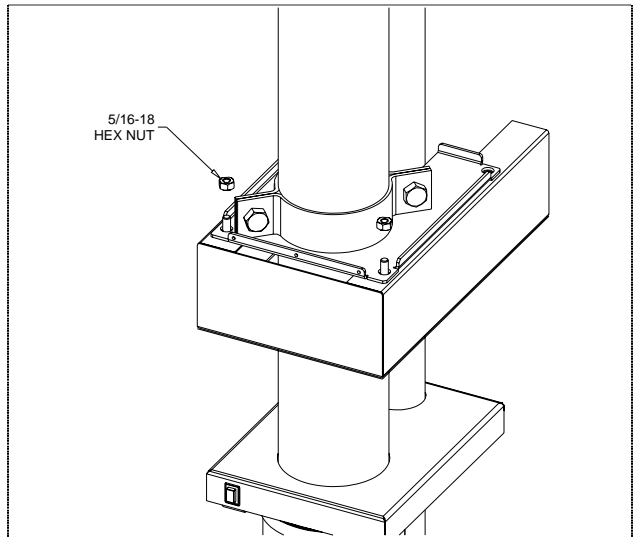
THESE DRAWINGS ARE THE PROPERTY OF HAMILTON AIR. ALL RIGHTS ARE RESERVED. NO PARTS OR MATERIALS ARE TO BE USED AS THE BASIS FOR REPRODUCTION OR REVISION WITHOUT PERMISSION.

TOLERANCES UNLESS OTHERWISE NOTED:  
 FRACTIONS: ± 1/64"  
 DECIMALS: ± .005  
 ANGLES: ± 1/2°

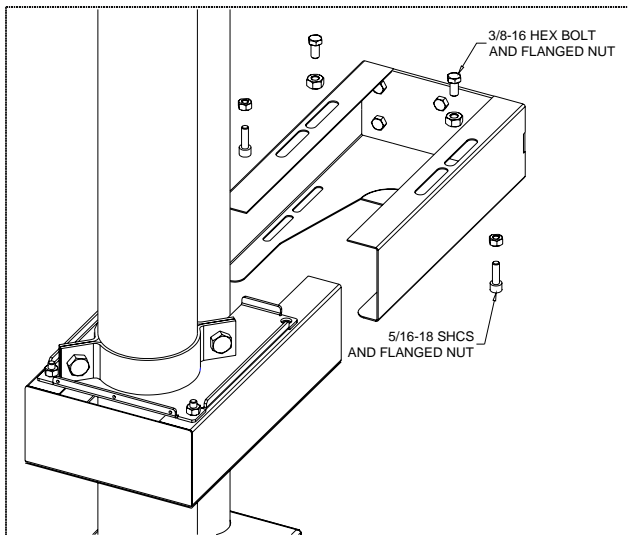
<p>TITLE:</p> <h3>HAMILTON</h3> <p>SHEET 1 OF 1</p>		
<p>Low Level Teller                  Wall Mount Bracket                  Part number B6945</p>		
DATE:	DRAWING NUMBER:	REVISION:
9/30/08	99-1019	A



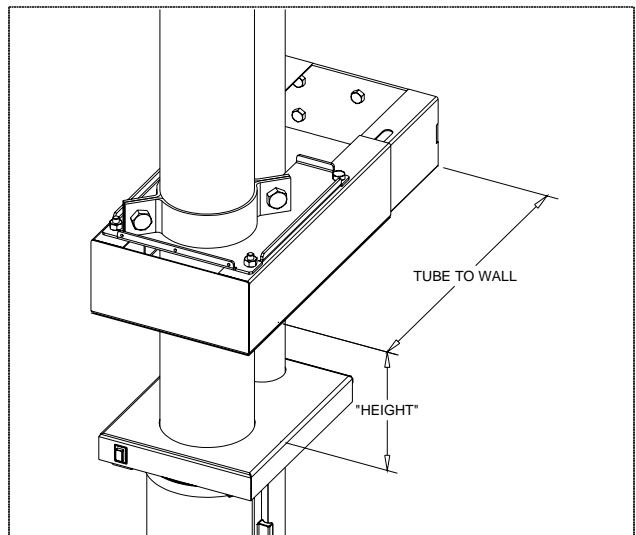
**Step#1** Using Lag Bolts or Anchors, attach Main Support Channel to Wall in Desired Location.



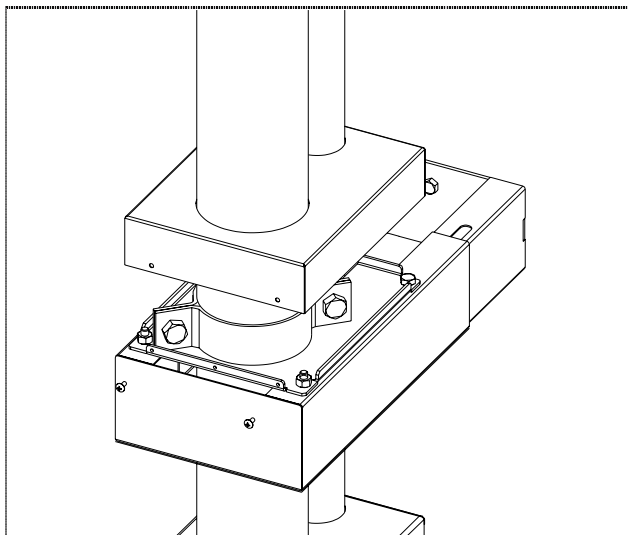
**Step#2** Bolt Teller Clamp Assembly to the Teller Support Channel with Two Supplied 5/16-18 Hex Nuts.



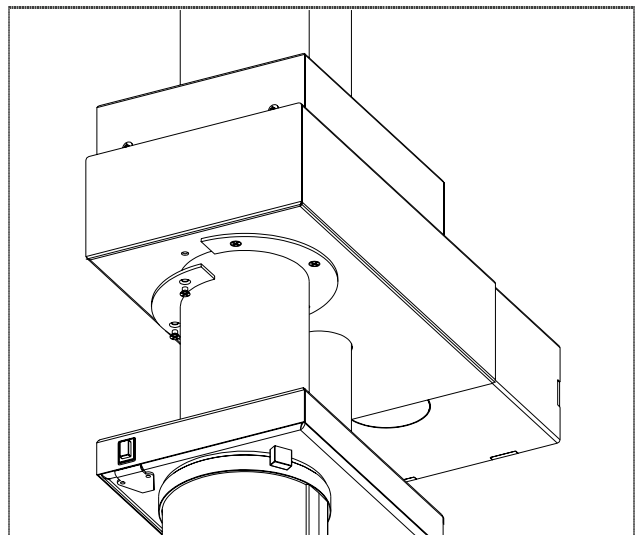
**Step#3** Attach Teller Support Channel to Main Support Channel with supplied 3/8 and 5/16 hardware.



**Step#4** Adjust Distance from Wall and Height of Teller. Tighten all bolts on Bracket and Tube Clamp.



**Step#5** Install Teller Clamp Cover Pan with 8-32 Truss Head Screws Provided.



**Step#6** Attach Lower Tube Trim with Six 8-32 Flat Heads.