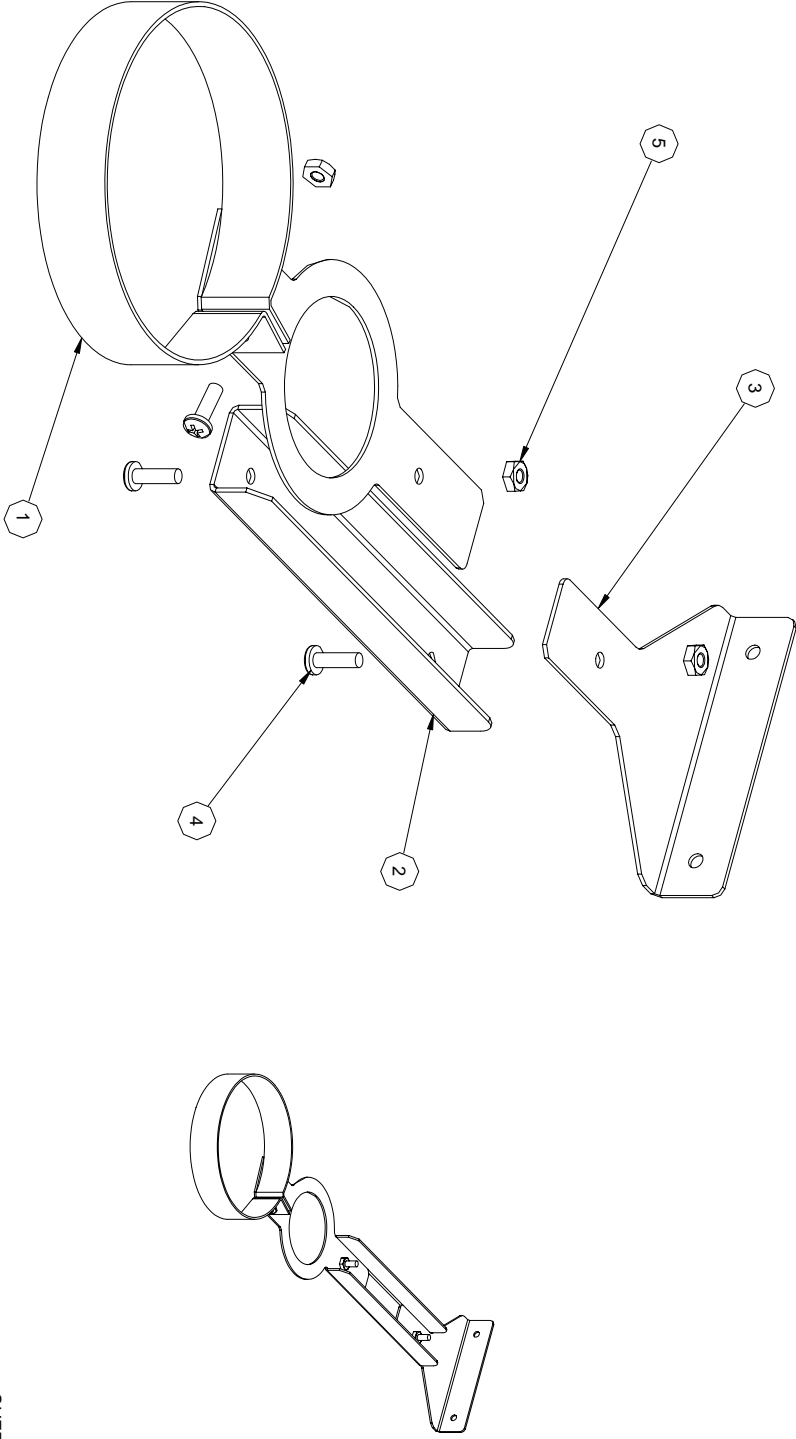


Model B6944

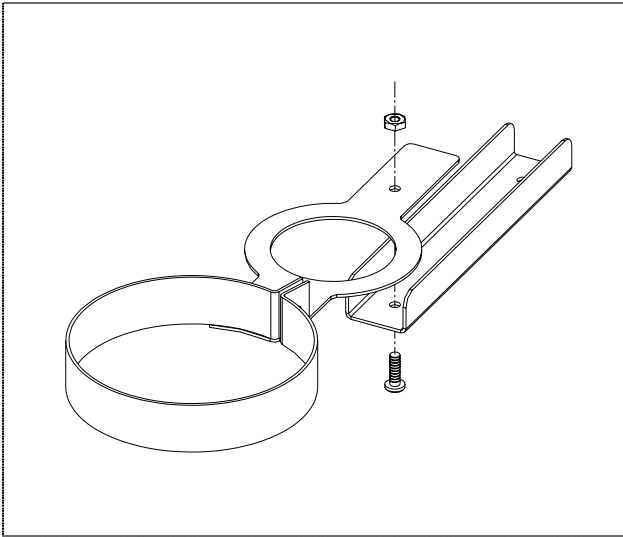
ITEM NO.	PART NUMBER	DESCRIPTION	QTY.
1	WSB-005	Teller Tube Stabilizer Welded Assy	1
2	WSB-002	Attaching Channel	1
3	WSB-003	Wall Mount Bracket	1
4	Purchase Local	10-32 x 5/8 PHMS (Zinc)	3
5	Purchase Local	10-32 Hex Nut (Zinc)	3



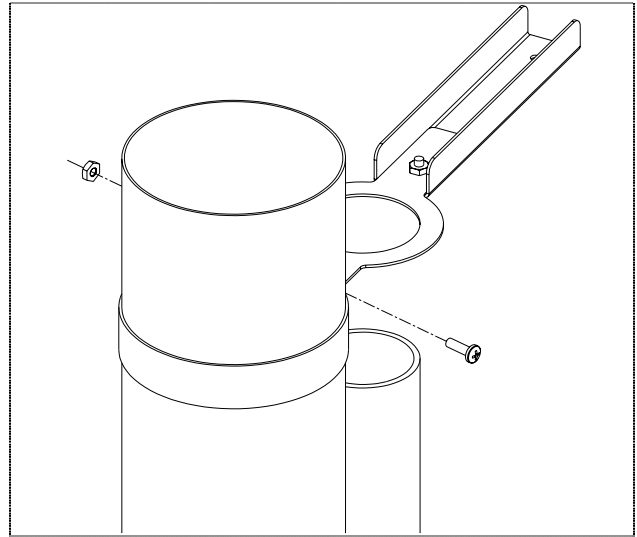
THESE DRAWINGS ARE THE PROPERTY OF HAMILTON SAFE CO. AND SHALL NOT BE REPRODUCED OR COPIED OR USED AS THE BASIS FOR ANY OTHER SAFETY APPARATUS WITHOUT PERMISSION.

TOLERANCES UNLESS OTHERWISE NOTED:
 FRACTIONS: \pm .004
 DECIMALS: \pm .005
 ANGLES: \pm 1/2°

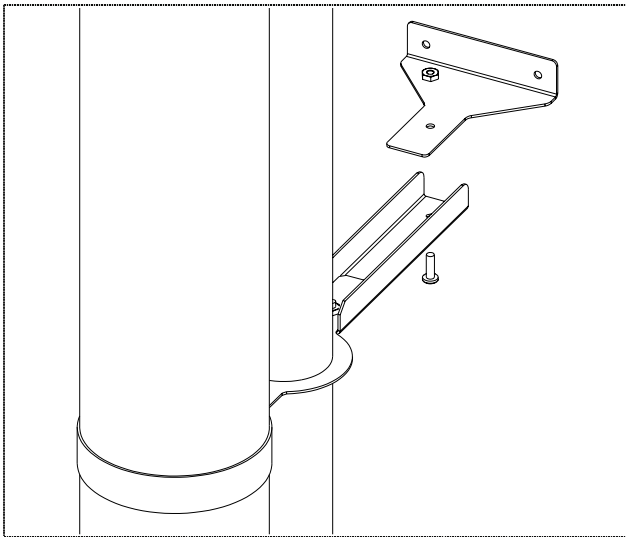
HAMILTON		
SHEET 1 OF 1		
TITLE:	Teller Stabilizer Wall Bracket	
	Part Number B6944	
DATE:	9/30/08	DRAWING NUMBER:
		99-1020
		REVISION:



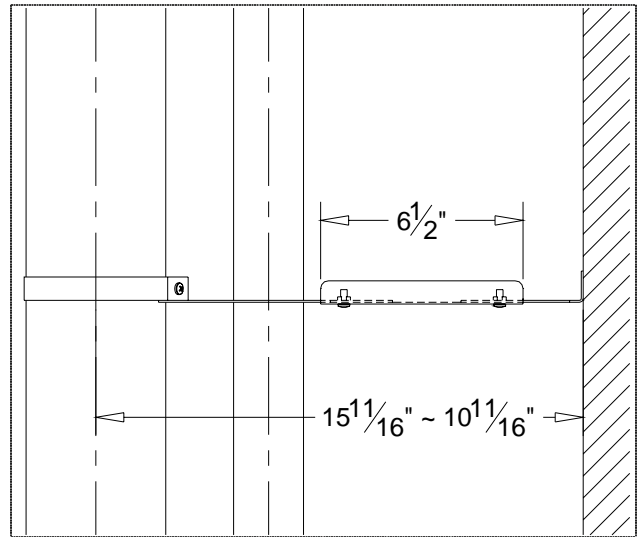
Step#1 Connect the Teller Stabilizer Welded Assembly to the wall Attaching Channel with hardware provided.



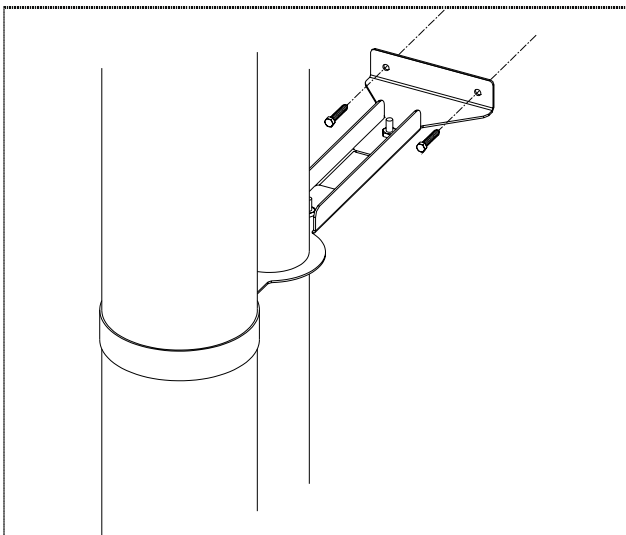
Step#2 Attach Assembly from Step #1 to Teller Tube as shown.



Step#3 Connect the Wall Mount Bracket to the assembly as shown.



Step#4 Attaching Channel can be cut shorter to allow the teller to be mounted closer to the wall.



Step#5 Attach the Wall Bracket to the wall with Lag screws or anchors.