

HAMILTON AIR®

3143 Production Drive • Fairfield, Ohio 45014 • 513-874-3733

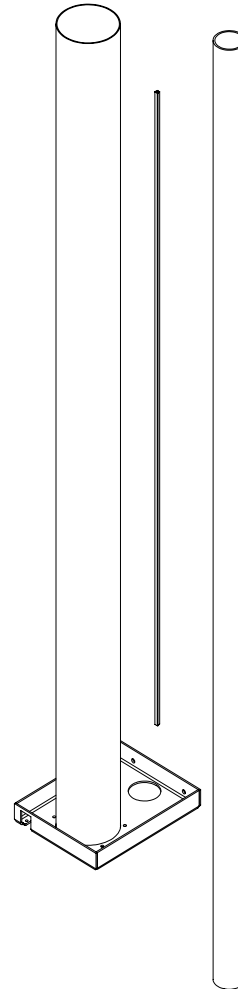
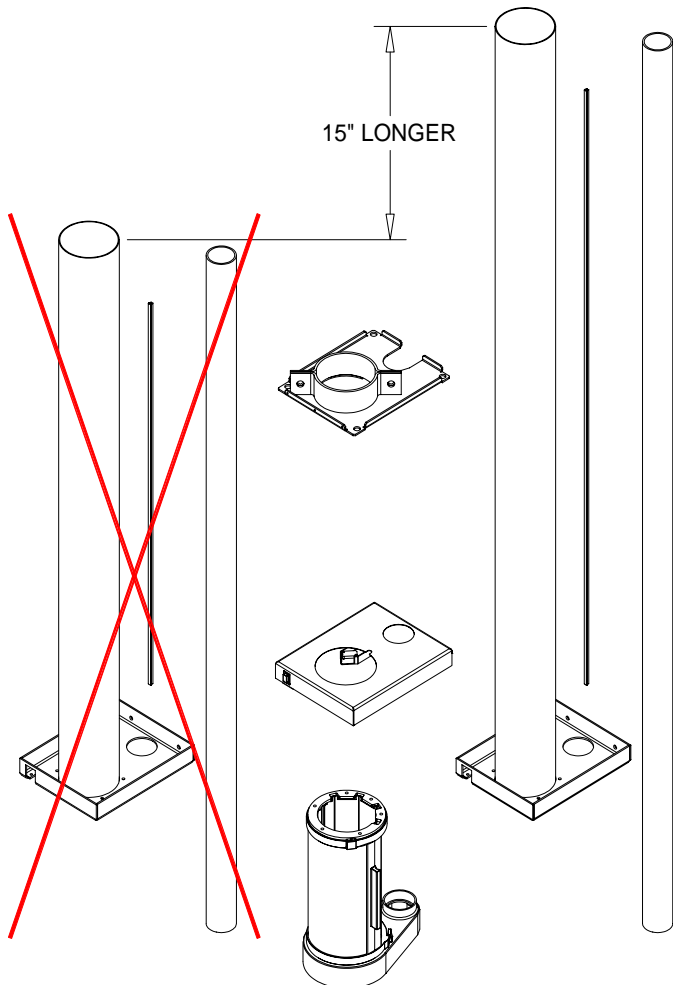
B6692-15 Over Head Teller Tube Assembly

Hamilton offers the standard 99-914 over head teller units with a main tube assembly that is long enough to mount with 9ft ceiling heights. When your ceiling height is higher than 9ft, we offer an optional tube assembly to increase the teller height by 15". There are two ways to order this option shown below. Reference drawings 99-914 and 99-990.

Ordering with a system or teller unit.

Part number: **B6692-15-U**

This is an upgrade to a 99-914 standard over head teller unit. Use this part number when ordering a teller unit 99-914 or a system that includes this teller unit. Ordering this part number will replace the standard B6692 teller tube assembly, 2-1/4" acrylic exhaust tube, and wire mold with the teller tube assembly, 2-1/4" acrylic exhaust tube, and wire mold made 15" longer than standard.



Ordering the tube assembly separately.

Part number: **B6692-15**

This part number is for the 15" longer teller tube assembly, 2-1/4" acrylic exhaust tube, and wire mold only. Use this part to order the tube assembly separate so it can be used on a teller unit you already have in stock.