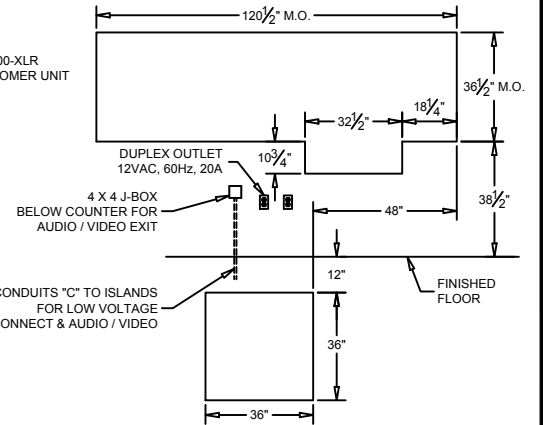
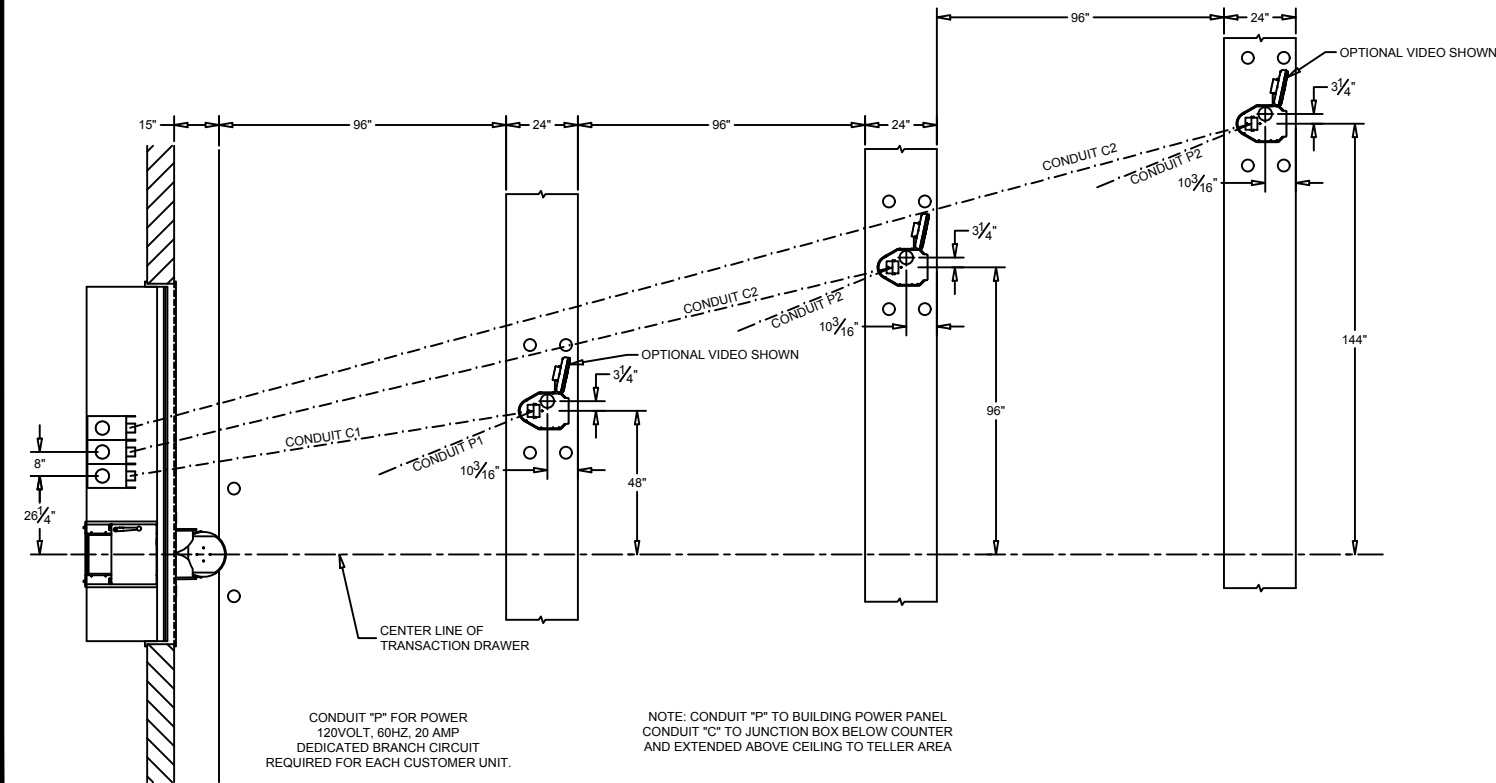


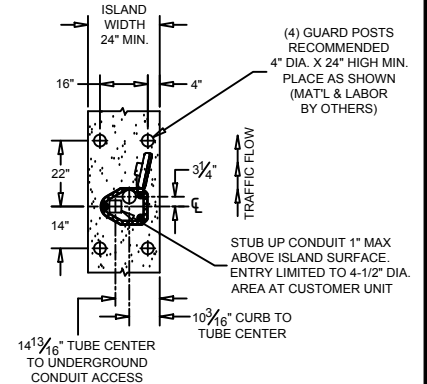
SECTION



MASONRY DETAIL
(FOR MODEL 310D U.L. WINDOW)



PLAN



ISLAND DETAIL

ADDITIONAL DRAWINGS TO REFERENCE:
95-696, 99-349, & 99-1160

CONDUIT "P" FOR POWER
120VOLT, 60HZ, 20 AMP
DEDICATED BRANCH CIRCUIT
REQUIRED FOR EACH CUSTOMER UNIT.

NOTE: CONDUIT "P" TO BUILDING POWER PANEL
CONDUIT "C" TO JUNCTION BOX BELOW COUNTER
AND EXTENDED ABOVE CEILING TO TELLER AREA

THESE DRAWINGS ARE THE
PROPERTY OF HAMILTON SAFE CO.
AND SHALL NOT BE REPRODUCED
OR COPIED OR USED AS THE BASIS
FOR MANUFACTURE OR SALE OF
APPARATUS WITHOUT PERMISSION

HAMILTON AIR.		
PNEUMATIC TUBE SYSTEMS MODEL HA1000-XLRD		
"312" SYSTEM - UNDERGROUND TUBING		
DATE: 1/19/2016	DRAWING NUMBER: 99-1167	REVISION --