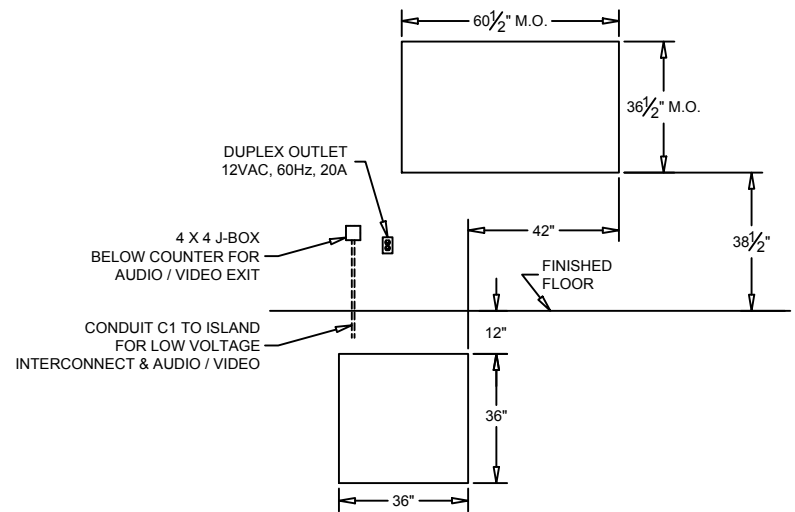
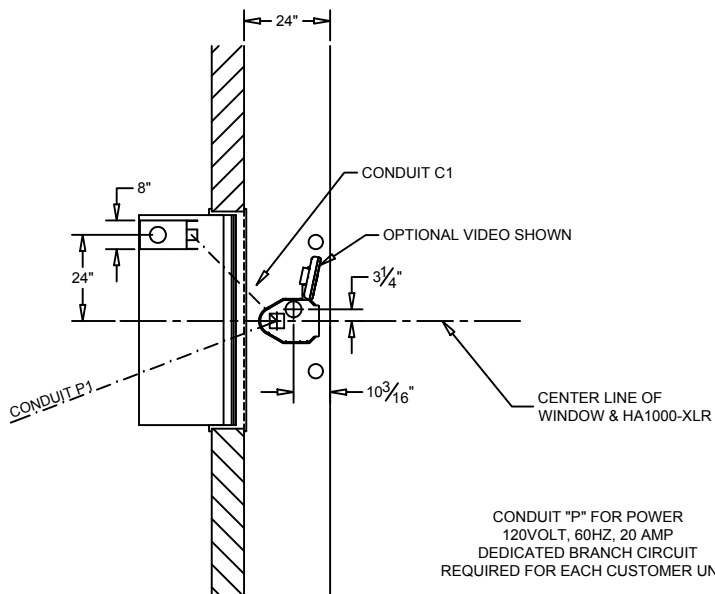


SECTION



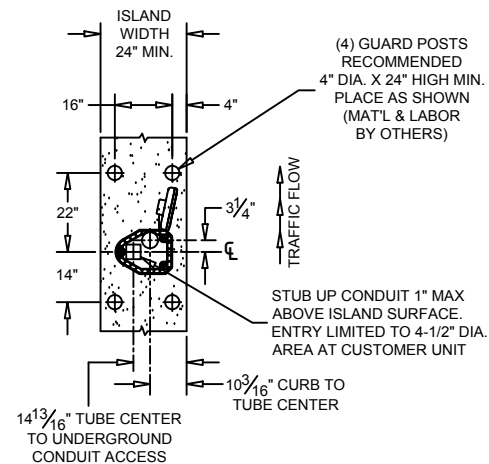
MASONRY DETAIL
(FOR MODEL 035V U.L. WINDOW)



PLAN

NOTE: CONDUIT "P" TO BUILDING POWER PANEL
CONDUIT "C" TO JUNCTION SAFE BOX BELOW COUNTER
AND EXTENDED ABOVE CEILING TO TELLER AREA

CONDUIT "P" FOR POWER
120VOLT, 60HZ, 20 AMP
DEDICATED BRANCH CIRCUIT
REQUIRED FOR EACH CUSTOMER UNIT.



ISLAND DETAIL

ADDITIONAL DRAWINGS TO REFERENCE:
95-699, 99-349, & 99-1160

HAMILTON AIR.		
PNEUMATIC TUBE SYSTEMS MODEL HA1000-XLRD		
"101" SYSTEM - UNDERGROUND TUBING		
DATE:	DRAWING NUMBER:	REVISION:
1/13/2016	99-1162	--

THESE DRAWINGS ARE THE
PROPERTY OF HAMILTON SAFE CO.
AND SHALL NOT BE REPRODUCED
OR COPIED OR USED AS THE BASIS
FOR MANUFACTURE OR SALE OF
APPARATUS WITHOUT PERMISSION