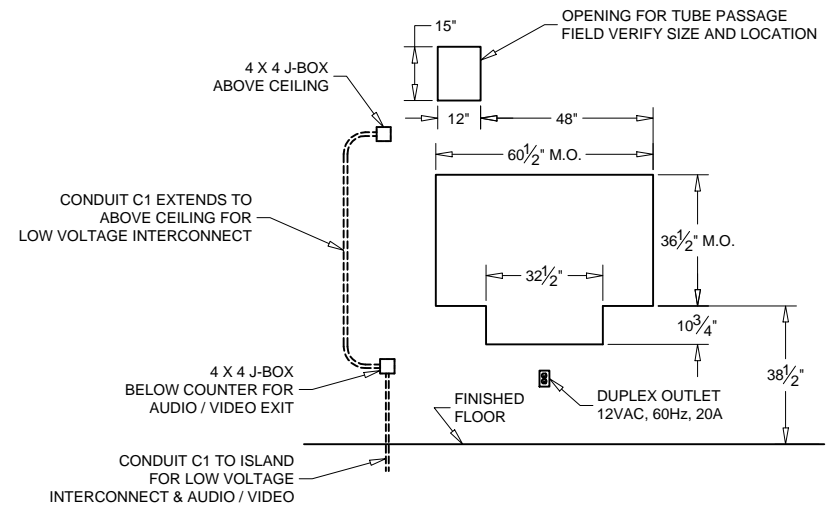
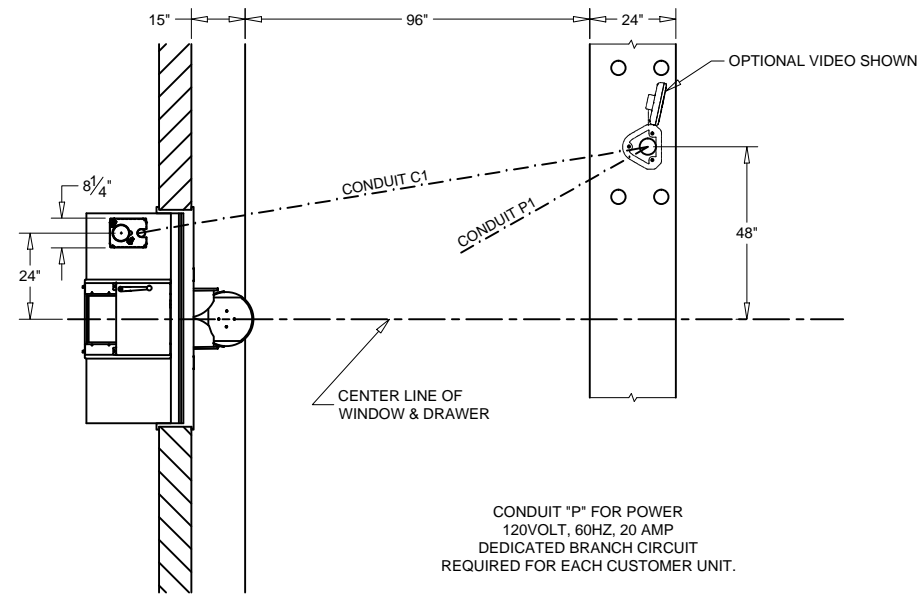


SECTION



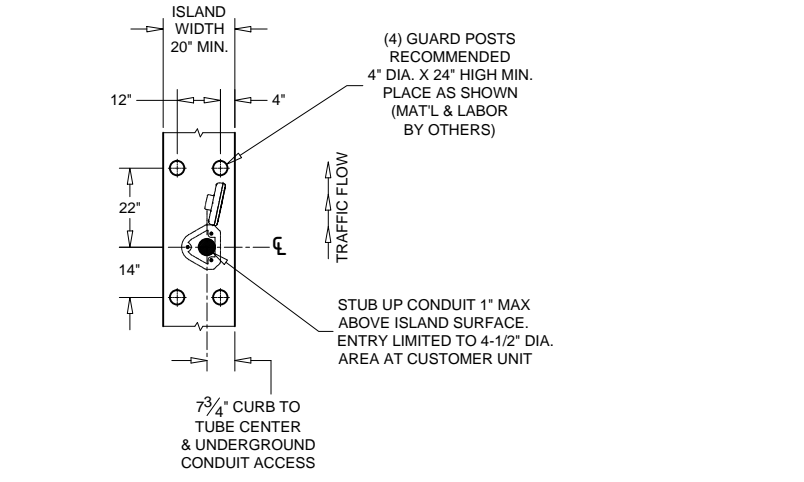
MASONRY DETAIL
(FOR MODEL 035D U.L. WINDOW)



PLAN

NOTE: CONDUIT "P" TO BUILDING POWER PANEL
CONDUIT "C" TO JUNCTION BOX BELOW COUNTER
AND EXTENDED ABOVE CEILING TO TELLER AREA

CONDUIT "P" FOR POWER
120VOLT, 60HZ, 20 AMP
DEDICATED BRANCH CIRCUIT
REQUIRED FOR EACH CUSTOMER UNIT.



ISLAND DETAIL

ADDITIONAL DRAWINGS TO REFERENCE:
95-261, 99-915, & 99-1140

HAMILTON AIR		
PNEUMATIC TUBE SYSTEMS MODEL HA1000-XLR "111" SYSTEM - OVERHEAD TUBING		
DATE: 2/12/2015	DRAWING NUMBER: 99-1146	REVISION: --

THESE DRAWINGS ARE THE
PROPERTY OF HAMILTON SAFE CO.
AND SHALL NOT BE REPRODUCED
OR COPIED OR USED AS THE BASIS
FOR MANUFACTURE OR SALE OF
APPARATUS WITHOUT PERMISSION