

PARTS LIST			
REF #	PN/SHEET	DESCRIPTION	QTY
1	SHEET 2	BUCKET ASSEMBLY	1
2	SHEET 3	DRIVE ASSEMBLY	1
3	SHEET 4	DRIVE LIMIT SWITCH ASSEMBLY	1
4	SHEET 5	SAFETY BAR ASSEMBLY	1
5	SHEET 6	MOTOR ASSEMBLY	1
6	SHEET 7	FRONT COVER	1
7	SHEET 8	TOP FITTINGS	1
8	B6879	FRAME ASSEMBLY	1
9	99-998	TURBINE	1
10	HA60-2500	CONTROL BOX	1
11	B6880	ISLAND TEMPLATE ASSEMBLY	1
12	B6895	TURBINE CLAMP	1
13	B4956	3" SPEAKER	1
14	B6923	SPUD AXLE	2
15	B6933	3" DIA. FLEX HOSE	1
16	H1074	3" HOSE CLAMP	2
17	B6913	TIMING BELT #585-5M-15	1
18	COMMON	1/4-20 HEX SERRATED FLANGE NUT	4
19	COMMON	6-32 x 1/2" FHCS	2
20	COMMON	6-32 NYLON LOCKNUT	2
21	COMMON	10-32 x 3/8" FHCS	6
22	COMMON	10-32 x 3/8" PHILLIPS TRUSS HEAD	2

THESE DRAWINGS ARE THE PROPERTY OF HAMILTON SAFE, CO. AND SHALL NOT BE REPRODUCED OR COPIED OR USED AS THE BASIS FOR MANUFACTURE OR SALE OF APPARATUS WITHOUT PERMISSION

HAMILTON SAFE

Hamilton Safe
7775 Cooper Rd.
Cincinnati, Ohio 45242
Phone: (513)874-3733
www.hamiltonsafe.com

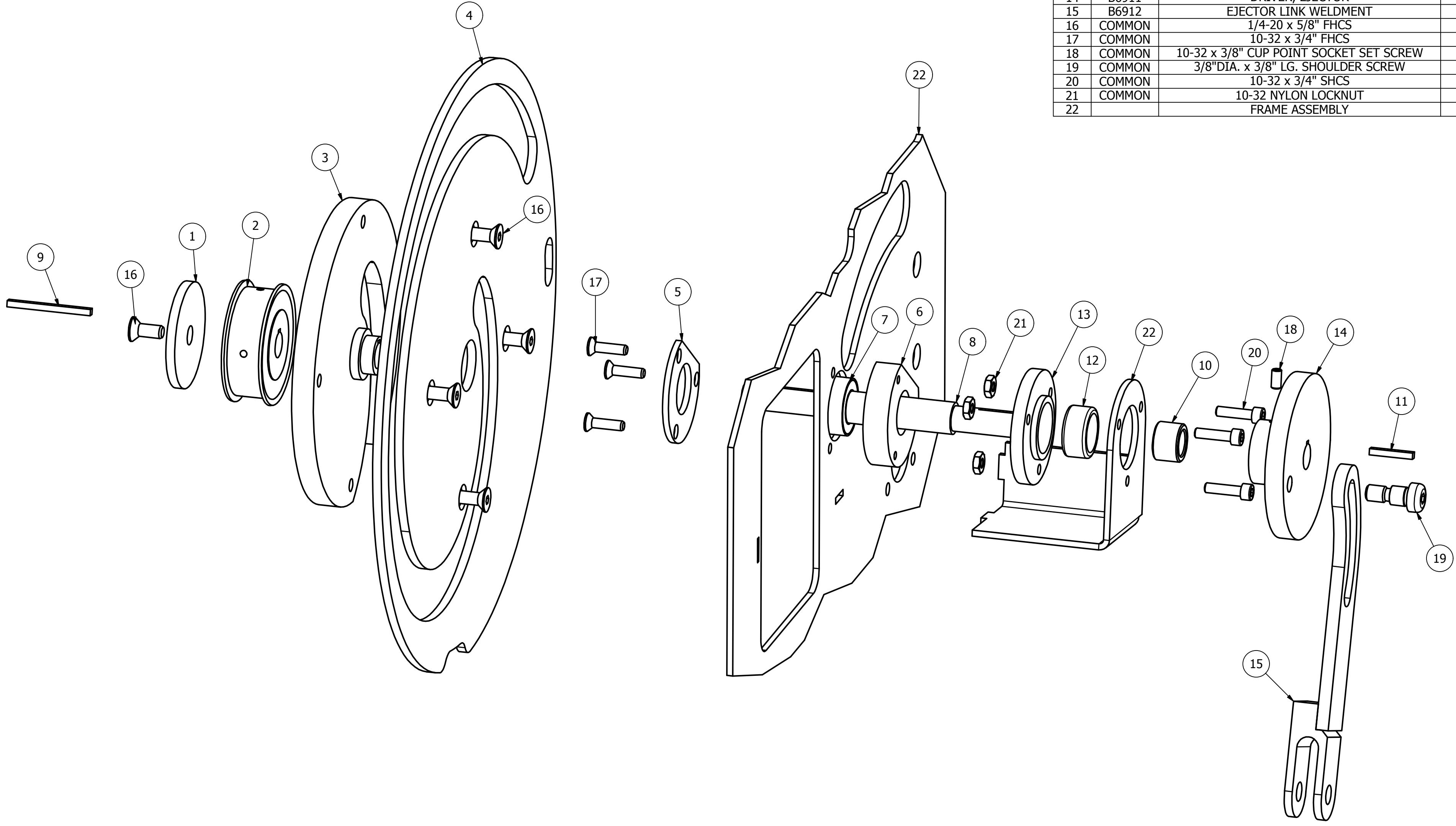
TITLE
HA47 Customer Full Assembly

DATE
6/19/2014

Dwg. No. 99-1137

SHEET 3 OF 8

PARTS LIST			
REF	P/N	DESCRIPTION	QTY
1	B6898	RETAINER, PULLEY ASSEMBLY	1
2	B6899	PULLEY, #34 M5-L015M, 1/2" BORE, 1/8" KEY	1
3	B6900	HUB, BUCKET DRIVER	1
4	B6901	CAM, BUCKET DRIVER	1
5	B6902	BEARING RETAINER	1
6	B6903	BEARING HOUSING, OPPOSITE EJECTOR END	1
7	B6904	BEARING (1616DC)	1
8	B6905	SHAFT, BUCKET DRIVER	1
9	B6906	KEY, BUCKET DRIVER	1
10	B6907	INNER RACE (IR-88)	1
11	B6908	KEY, EJECTOR DRIVER	1
12	B6909	BEARING (B-126)	1
13	B6910	BEARING HOUSING, EJECTOR END	1
14	B6911	DRIVER, EJECTOR	1
15	B6912	EJECTOR LINK WELDMENT	1
16	COMMON	1/4-20 x 5/8" FHCS	5
17	COMMON	10-32 x 3/4" FHCS	3
18	COMMON	10-32 x 3/8" CUP POINT SOCKET SET SCREW	1
19	COMMON	3/8"DIA. x 3/8" LG. SHOULDER SCREW	1
20	COMMON	10-32 x 3/4" SHCS	3
21	COMMON	10-32 NYLON LOCKNUT	3
22		FRAME ASSEMBLY	1



THESE DRAWINGS ARE THE PROPERTY OF HAMILTON SAFE, CO. AND SHALL NOT BE REPRODUCED OR COPIED OR USED AS THE BASIS FOR MANUFACTURE OR SALE OF APPARATUS WITHOUT PERMISSION

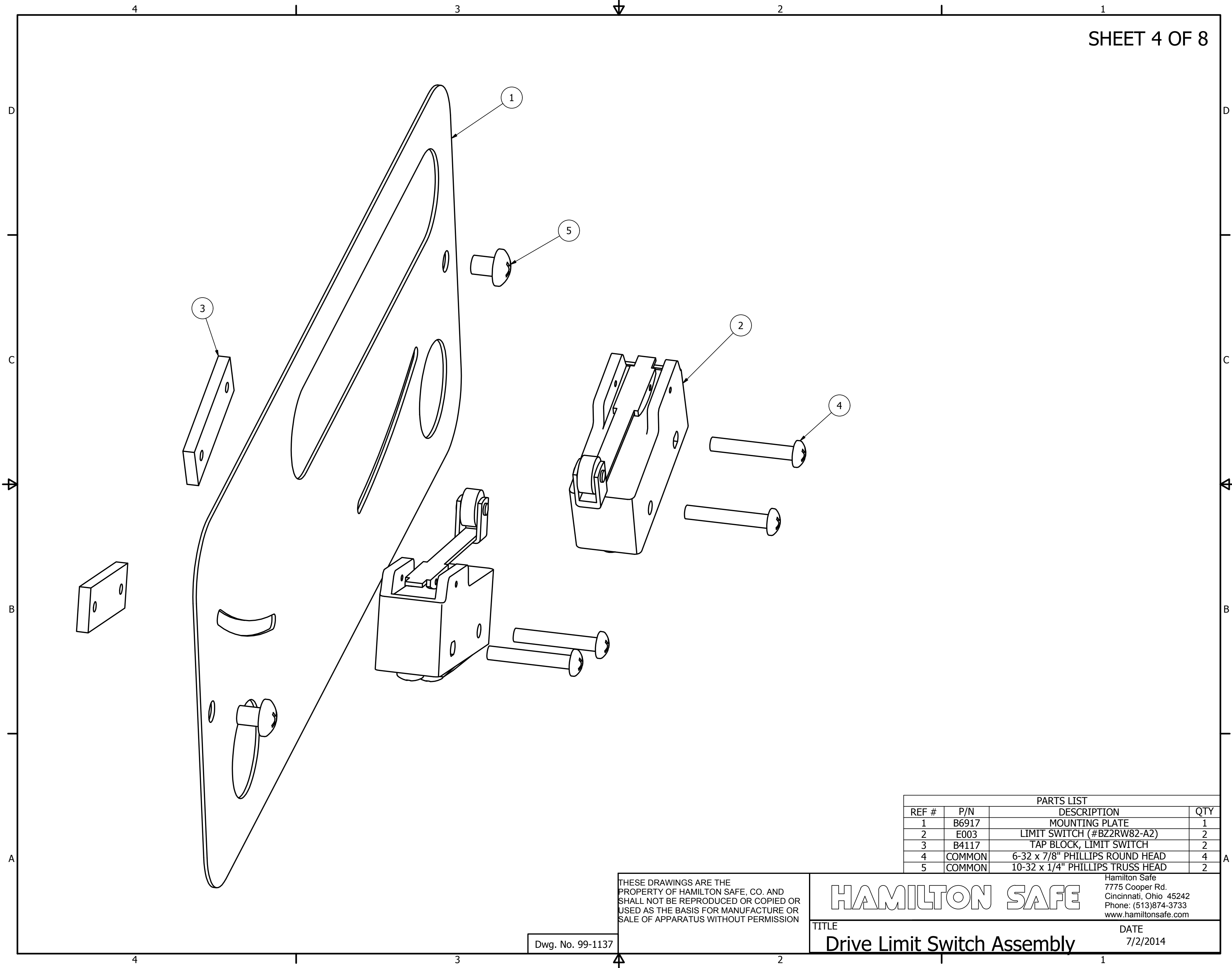
HAMILTON SAFE

Hamilton Safe
7775 Cooper Rd.
Cincinnati, Ohio 45242
Phone: (513)874-3733
www.hamiltonsafe.com

TITLE
Drive Assembly

DATE
7/2/2014

Dwg. No. 99-1137



PARTS LIST			
REF #	P/N	DESCRIPTION	QTY
1	B6917	MOUNTING PLATE	1
2	E003	LIMIT SWITCH (#BZ2RW82-A2)	2
3	B4117	TAP BLOCK, LIMIT SWITCH	2
4	COMMON	6-32 x 7/8" PHILLIPS ROUND HEAD	4
5	COMMON	10-32 x 1/4" PHILLIPS TRUSS HEAD	2

THESE DRAWINGS ARE THE PROPERTY OF HAMILTON SAFE, CO. AND SHALL NOT BE REPRODUCED OR COPIED OR USED AS THE BASIS FOR MANUFACTURE OR SALE OF APPARATUS WITHOUT PERMISSION

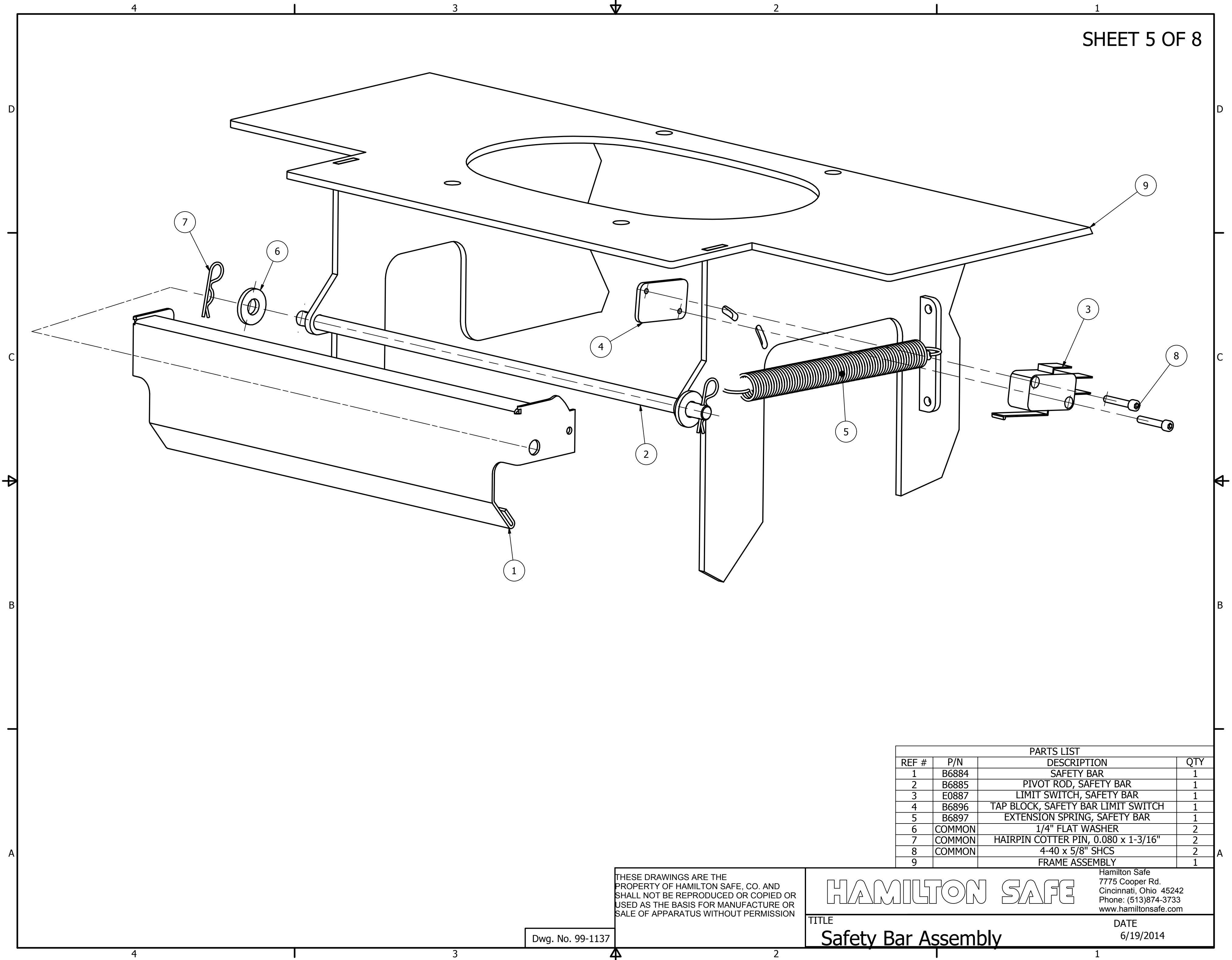
HAMILTON SAFE

Hamilton Safe
7775 Cooper Rd.
Cincinnati, Ohio 45242
Phone: (513)874-3733
www.hamiltonsafe.com

TITLE
Drive Limit Switch Assembly

DATE
7/2/2014

Dwg. No. 99-1137



PARTS LIST			
REF #	P/N	DESCRIPTION	QTY
1	B6884	SAFETY BAR	1
2	B6885	PIVOT ROD, SAFETY BAR	1
3	E0887	LIMIT SWITCH, SAFETY BAR	1
4	B6896	TAP BLOCK, SAFETY BAR LIMIT SWITCH	1
5	B6897	EXTENSION SPRING, SAFETY BAR	1
6	COMMON	1/4" FLAT WASHER	2
7	COMMON	HAIRPIN COTTER PIN, 0.080 x 1-3/16"	2
8	COMMON	4-40 x 5/8" SHCS	2
9		FRAME ASSEMBLY	1

THESE DRAWINGS ARE THE PROPERTY OF HAMILTON SAFE, CO. AND SHALL NOT BE REPRODUCED OR COPIED OR USED AS THE BASIS FOR MANUFACTURE OR SALE OF APPARATUS WITHOUT PERMISSION

HAMILTON SAFE

Hamilton Safe
7775 Cooper Rd.
Cincinnati, Ohio 45242
Phone: (513)874-3733
www.hamiltonsafe.com

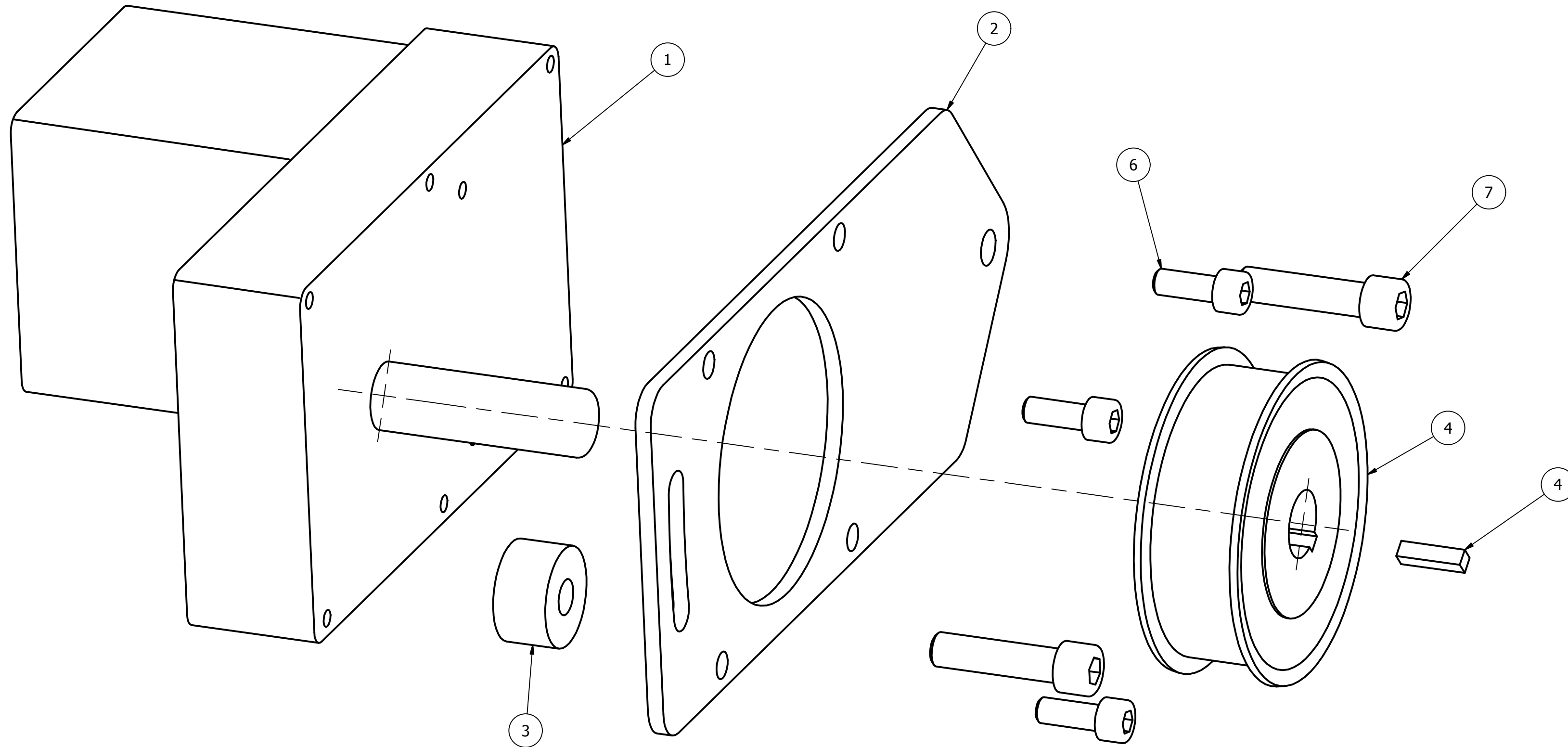
TITLE

Safety Bar Assembly

DATE

6/19/2014

Dwg. No. 99-1137



PARTS LIST			
REF #	P/N	DESCRIPTION	QTY
1	B6916	MOTOR, GFS14 3420 RCBNB	1
2	B6915	MOTOR MOUNTING PLATE WELDMENT	1
3		SPACER, MOUNTING PLATE	1
4	B6914	1/8" KEY, MOTOR	1
5	B6899	PULLEY, #34 M5-LO15M, 1/2" BORE, 1/8" KEY	1
6	COMMON	10-32 x 1/2" SHCS	4
7	COMMON	1/4-20 x 1" SHCS	2

THESE DRAWINGS ARE THE PROPERTY OF HAMILTON SAFE, CO. AND SHALL NOT BE REPRODUCED OR COPIED OR USED AS THE BASIS FOR MANUFACTURE OR SALE OF APPARATUS WITHOUT PERMISSION

HAMILTON SAFE

Hamilton Safe
7775 Cooper Rd.
Cincinnati, Ohio 45242
Phone: (513)874-3733
www.hamiltonsafe.com

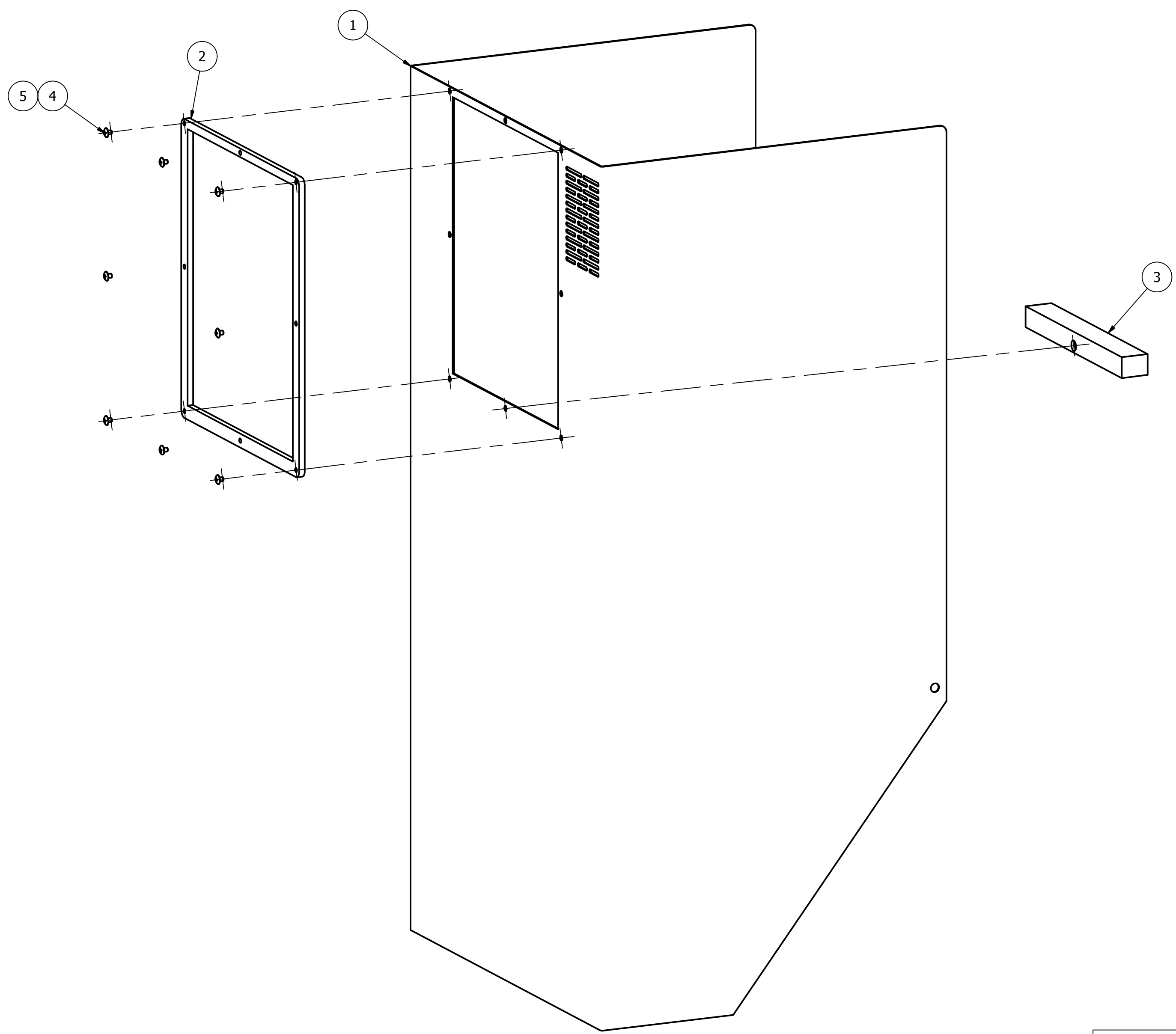
TITLE

Motor Assembly

DATE

8/14/2013

Dwg. No. 99-1137



PARTS LIST			
REF #	P/N	DESCRIPTION	QTY
1	B6881	FRONT COVER (STAINLESS)	1
2	B6882	TRIM FRAME, FRONT COVER	1
3	B6883	FILLER, BUCKET TRIM	1
4	COMMON	6-32 x 5/16" PHILLIPS TRUSS HEAD	8
5	COMMON	6-32 HEX NUT	8

THESE DRAWINGS ARE THE PROPERTY OF HAMILTON SAFE, CO. AND SHALL NOT BE REPRODUCED OR COPIED OR USED AS THE BASIS FOR MANUFACTURE OR SALE OF APPARATUS WITHOUT PERMISSION

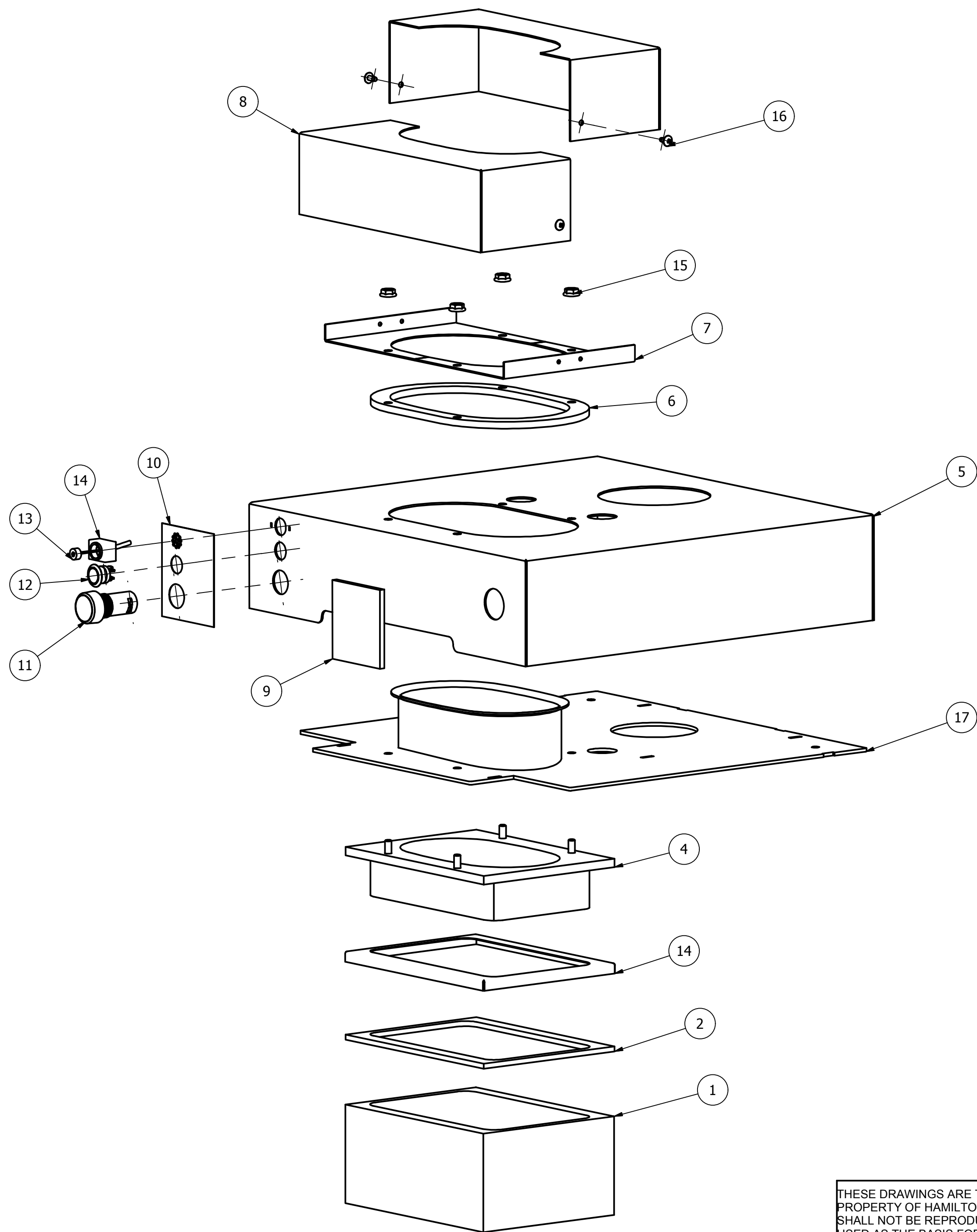
HAMILTON SAFE

Hamilton Safe
7775 Cooper Rd.
Cincinnati, Ohio 45242
Phone: (513)874-3733
www.hamiltonsafe.com

TITLE
Front Cover

DATE
7/3/2014

Dwg. No. 99-1137



PARTS LIST			
REF #	P/N	DESCRIPTION	QTY
1	B6886	SEAL BLOCK, BUCKET TOP	1
2	B6887	SPRING PAD, BUCKET SEAL BLOCK	1
3	B6888	RETAINER, BUCKET SEAL SPRING PAD	1
4	B6889	TOP FITTING, BUCKET SEAL	1
5	B6893	TOP CAP	1
6	B6890	SPACER, TOP FITTING	1
7	B6891	MOUNTING BRACKET, TRIM COVER	2
8	B6892	TOP CLAMP TRIM COVER	2
9	H0681	GLASS LENS, CAMERA PORT	1
10	H3554	NAMEPLATE LABEL	1
11	E0430	SEND PUSHBUTTON (KLOCKNER-MOELLER #RD-01)	1
12	E0011	CALL PUSHBUTTON (EDWARDS #621)	1
13	E0604	MICROPHONE (EM-80), 48" LEADS	1
14		MIC MOUNT	1
15	COMMON	1/4-20 HEX SERRATED FLANGE NUT	4
16	COMMON	8-32 x 3/8" PHILLIPS TRUSS HEAD	4
17		FRAME ASSEMBLY	1

THESE DRAWINGS ARE THE PROPERTY OF HAMILTON SAFE, CO. AND SHALL NOT BE REPRODUCED OR COPIED OR USED AS THE BASIS FOR MANUFACTURE OR SALE OF APPARATUS WITHOUT PERMISSION

HAMILTON SAFE

Hamilton Safe
7775 Cooper Rd.
Cincinnati, Ohio 45242
Phone: (513)874-3733
www.hamiltonsafe.com

TITLE
Top Fittings

DATE
6/19/2014

Dwg. No. 99-1137