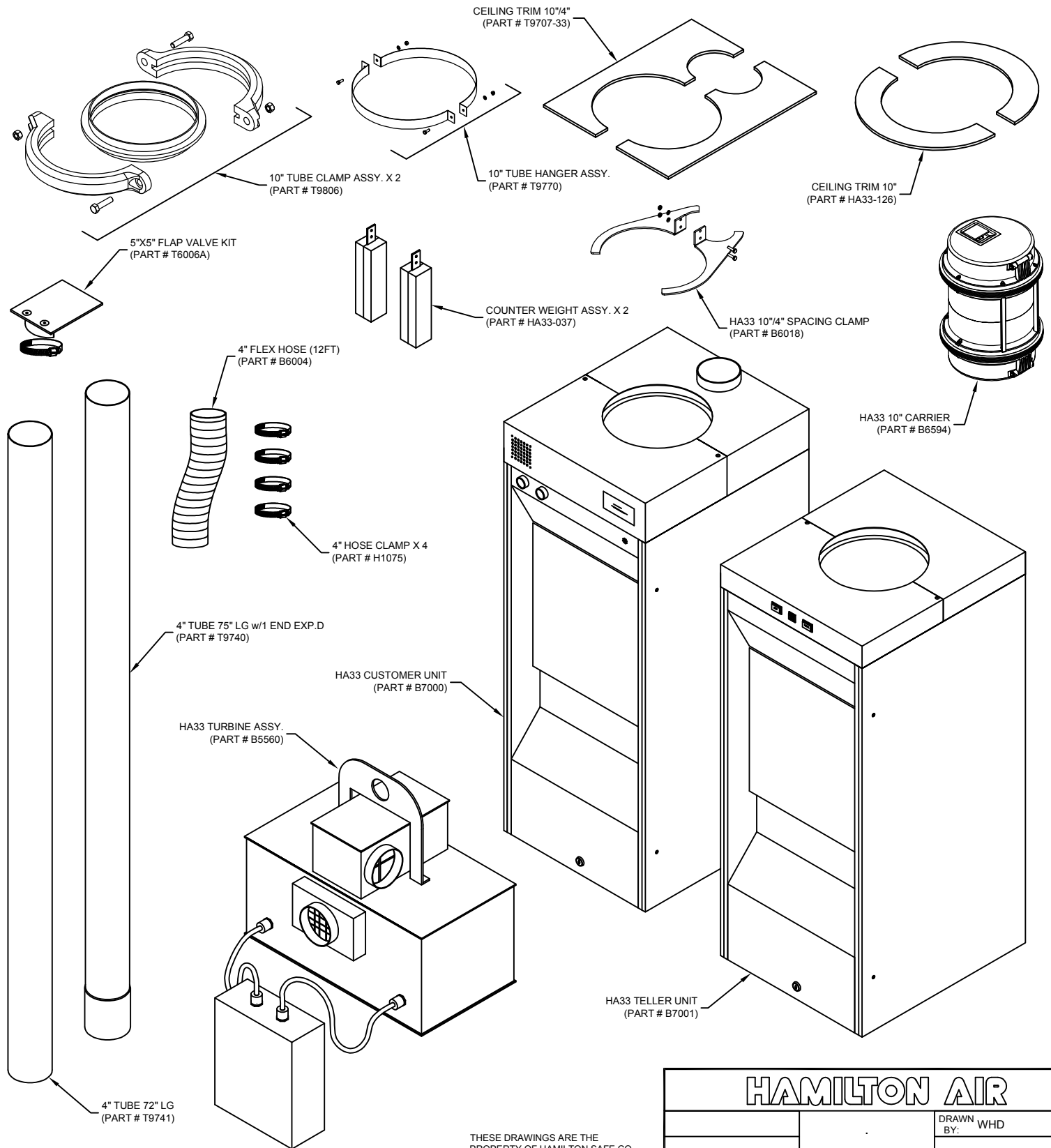


HA33 NOTICE:

CHECK CARTON CAREFULLY FOR ALL COMPONENTS SHOWN BELOW



NOTE: IF TUBING IS ORDERED WITH HA33 SYSTEM, ONE 4" TUBE 12'-6" LONG WILL SHIP WITH 10" TUBING IN PLACE OF THESE TWO SECTIONS 72" LONG

THESE DRAWINGS ARE THE PROPERTY OF HAMILTON SAFE CO. AND SHALL NOT BE REPRODUCED OR COPIED OR USED AS THE BASIS FOR MANUFACTURE OR SALE OF APPARATUS WITHOUT PERMISSION

TOLERANCES UNLESS OTHERWISE NOTED:
 FRACTIONS: + 1/64"
 DECIMALS: + .005
 ANGLES: + 1/2°

HAMILTON AIR		
		DRAWN BY: WHD
TITLE: SHIPPING CARTON DETAILS HA33 OVERHEAD SYSTEM		
DATE: 2/13/2012	DRAWING NUMBER: 99-1115	REVISION: --