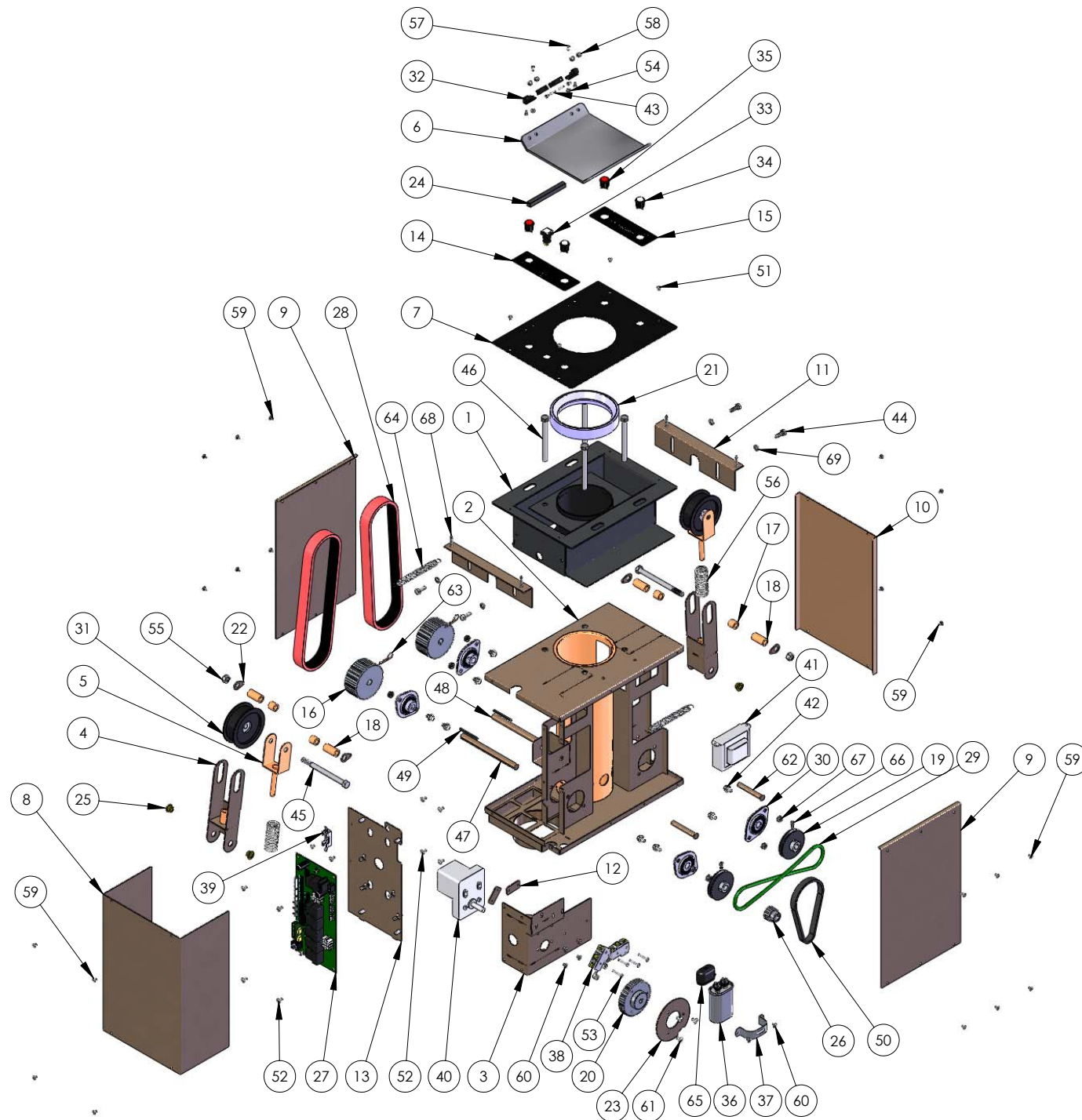
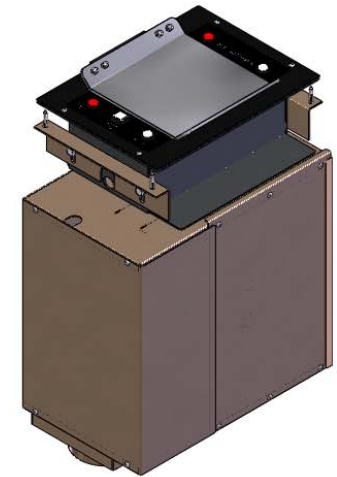


Rev - 1 -

Rev - 2 -



HAMILTON

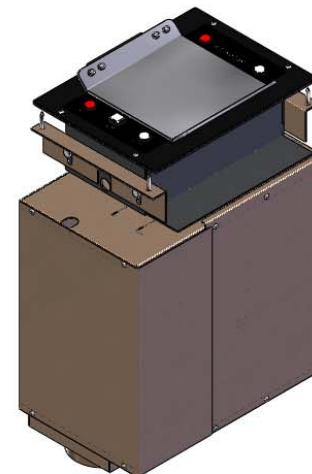
COUNTER TELLER 2G
EXPLODED VIEW DRAWING
PAGE 1 OF 2

Drawing Number: 99-1076 Date: 1-21-2010

COUNTER TELLER - 2G EXPLODED VIEW PARTS LIST

ITEM NO.	DRAWING NO.	PartNo	DESCRIPTION	QTY.
1	CT2G-028	B10310	TOP WELDED SUB-ASSEMBLY	1
2	CT2G-029	B10311	FRAME WELDED SUB-ASSEMBLY	1
3	CT2G-030	B10312	MOTOR MOUNT WELDED SUB-ASSEMBLY	1
4	CT-063	B6588	TENSIONER BODY WELDMENT	2
5	CT-064	B6589	IDLER PULLEY MOUNT WELDMENT	2
6	CT2G-001	B10313	DOOR	1
7	CT2G-002	B10314	TOP SWITCH COVER PLATE	1
8	CT2G-003	B10315	FRONT COVER	1
9	CT2G-004	B10316	SIDE PANEL	2
10	CT2G-005	B10317	BACK PANEL	1
11	CT2G-006	B10318	ANGLE MOUNTING BRACKET	2
12	CT2G-015	B10319	SWITCH ADJUSTMENT BRACKET	2
13	CT2G-023	B10320	I/O BOARD MOUNTING PANEL	1
14	CT2G-026	B10321	NIGHT LOCK LABEL	1
15	CT2G-027	B10322	SEND/RECAL LABEL	1
16	CT-001	B6566	TIMING PULLEY	2
17	CT-004	B6570	SPACER, IDLER PULLEY	4
18	CT-005	B6571	SPACER, IDLER PULLEY & TENSIONER	6
19	CT-006	B6572	DRIVE COMPANION PULLEY	2
20	CT-007	B6573	MOTOR DRIVE GEAR	1
21	CT-008	B6574	TOP ADAPTER RING	1
22	CT-021	B10323	IDLER PULLEY SPRING MOUNT	4
23	CT-040	B10324	SWITCH CAM PLATE	1
24	CT-058	B6593	DOOR BUMPER	1
25	*****	H0770	BRONZE FLANGE BEARING	4
26	*****	B6590	MOTOR GEAR	1
27	*****	E0873	I/O BOARD	1
28	*****	H0775	NG-MR BELT 0.330" THICK X 15/16" WIDE	2
29	*****	H0777	5MM GREEN POLYCORD BELT 23" O RING	1
30	*****	H0776	2 BOLT FLANGED BEARING	4
31	*****	H0778	IDLER PULLEY	2
32	*****	B6592	HINGE ASSEMBLY	2
33	*****	E10130	NKK NIGHTLOCK SWITCH	1
34	*****	E0931	NKK SWITCH - WHITE (SEND)	2
35	*****	E0930	NKK SWITCH - RED (RECALL)	2
36	*****	E0123	400DD CAPACITOR	1
37	*****	E0105	CAPACITOR BRACKET	1
38	*****	E0003	SWITCH M.S. ROLLER IBZ-2RW82-A)	2
39	*****	E0264	FUSE HOLDER CLAMP	1
40	*****	E0116	400DD MOTOR	1
41	*****	E0504	TRANSFORMER	1
42	*****	H10150	1/4-20 X 3/8" HEX FLANGE MS - SERRATED	8
43	*****	H10151	6-32 X3/4" SOCKET KNURLED CUP SET SCREW	2
44	*****	H0033	1/4-20 x 0.750 HHMS	4

ITEM NO.	DRAWING NO.	PartNo	DESCRIPTION	QTY.
45	*****	H0772	3/8-16 x5" HHMS - ZINC	2
46	*****	H0773	3/8-16 X 4" HHMS	4
47	CT2G-024	B10325	DRIVE SHAFT - MOTOR SIDE	1
48	CT2G-025	B10326	DRIVE SHAFT - NON MOTOR SIDE	1
49	CT-003	B6569	KEY, DRIVE SHAFT	2
50	*****	H0774	TIMING BELT	1
51	*****	H10152	6-32 X 1/4" THMS SS	4
52	*****	H0392	8-32 X 3/8" THMS SS - PHILLIPS	9
53	*****	H0148	6-32 X 1" THMS PHILLIPS - ZINC	4
54	*****	H0157	6-32 HEX NUT	2
55	*****	H0779	3/8-16 NYLON LOCK NUT	2
56	*****	H0768	COMPRESSION SPRING	2
57	*****	H0133	6-32 X 3/8" FHMS - PHILLIPS	6
58	*****	H0160	6-32 ACORN NUT - SS	4
59	*****	H0781	6-32 X 1/4" THMS - ZINC	21
60	*****	H0673	8-32 X 1/4" THMS - PHILLIPS	6
61	*****	H0571	# 10-32 X 3/8" PHILLIPS THMS (PLATED)	3
62	*****	H0771	3/8" X 3" CLEVIS PIN	2
63	*****	H10153	COTTER PIN 3/8 DIA X 1-9/16 LONG - 0.080 WIRE	2
64	*****	H0769	EXTENSION SPRING	2
65	*****	E01010	CAPACITOR BOOT	1
66	*****	H10154	10-24 X 3/8 SHCS	2
67	*****	H0104	1/4-20 EXT TOOTH HEX LOCK NUT - ZINC	8
68	*****	H10155	10- 1-1/4 WOOD SCREW	4
69	*****	H0011	1/4" FLAT WASHER ZINC	4
ITEMS NOT SHOWN				
**	CT2G-031	E10131	SEND/CALL WIRING HARNESS	1
**	CT2G-032	E10132	ROLLER SWITCH WIRING HARNESS	1



HAMILTON

COUNTER TELLER 2G
EXPLODED VIEW DRAWING
PAGE 2 OF 2