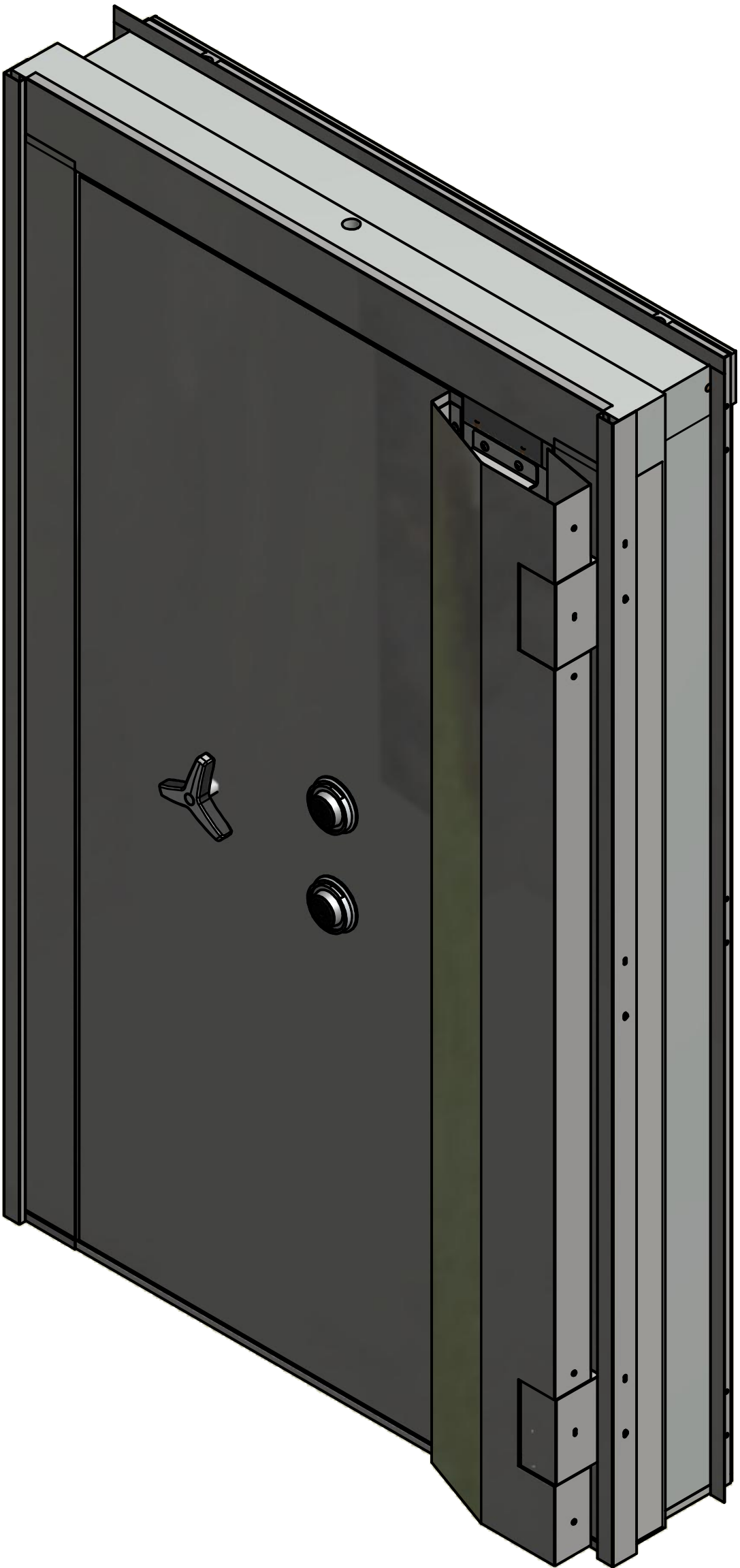


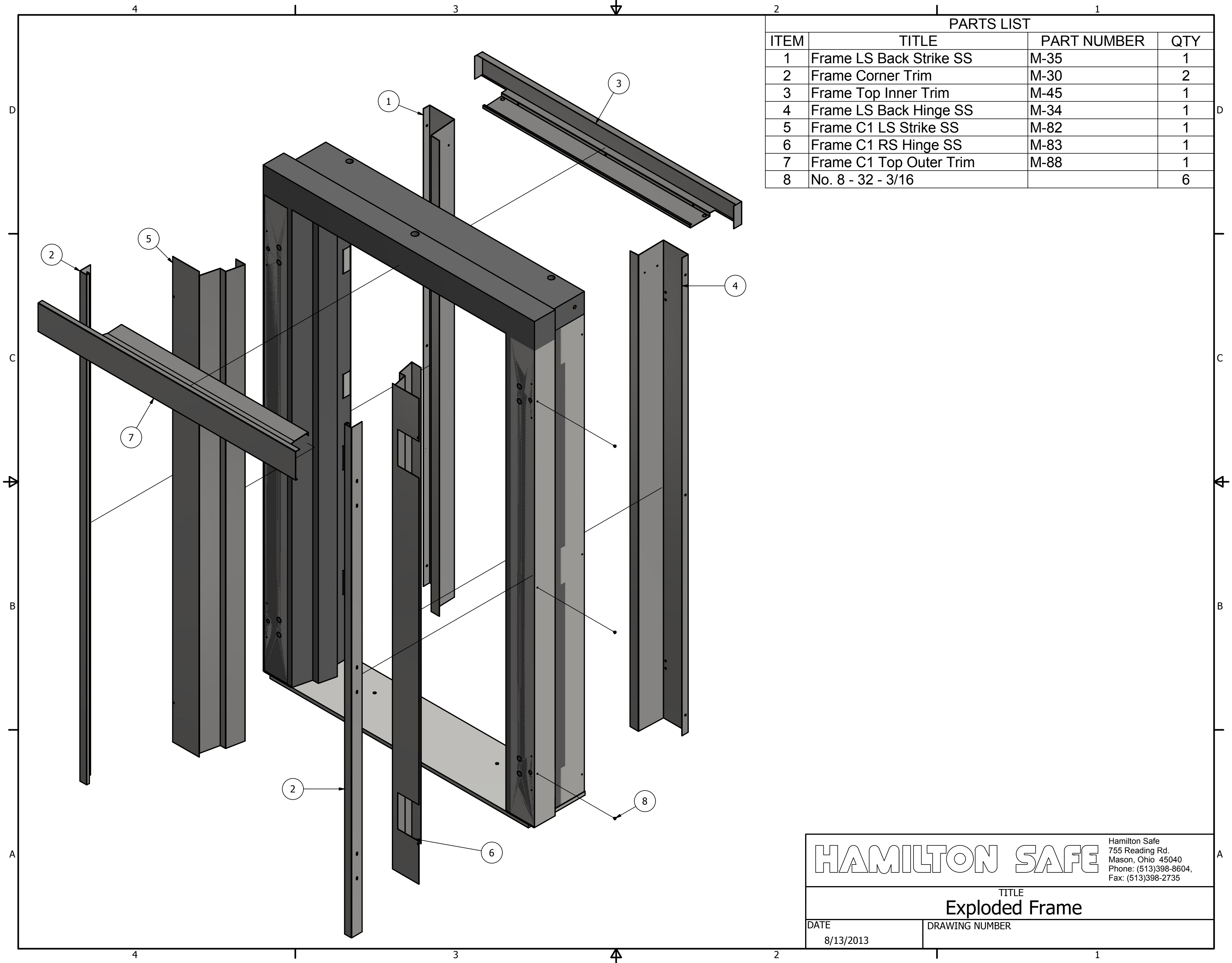
Class 1 Montgomery Door

- Pg.1 Frame
- Pg.2 Front Of Door
- Pg.3 Back Of Door
- Pg.4 Vault Lock
- Pg.5 Chest Lock (Option)
- Pg.6 Trident Handle
- Pg.7 Round Handle Kit (Option)
- Pg.8 Hear Sensor Door Contact
- Pg.9 Interior Trim Kit (Option)
- Pg.10 Glass Relocker (Option)
- Pg.11 Wall Mounted Ventilator(Option)
- Pg.12 Door Closer (Option)
- Pg.13 Electric Strike (Option)



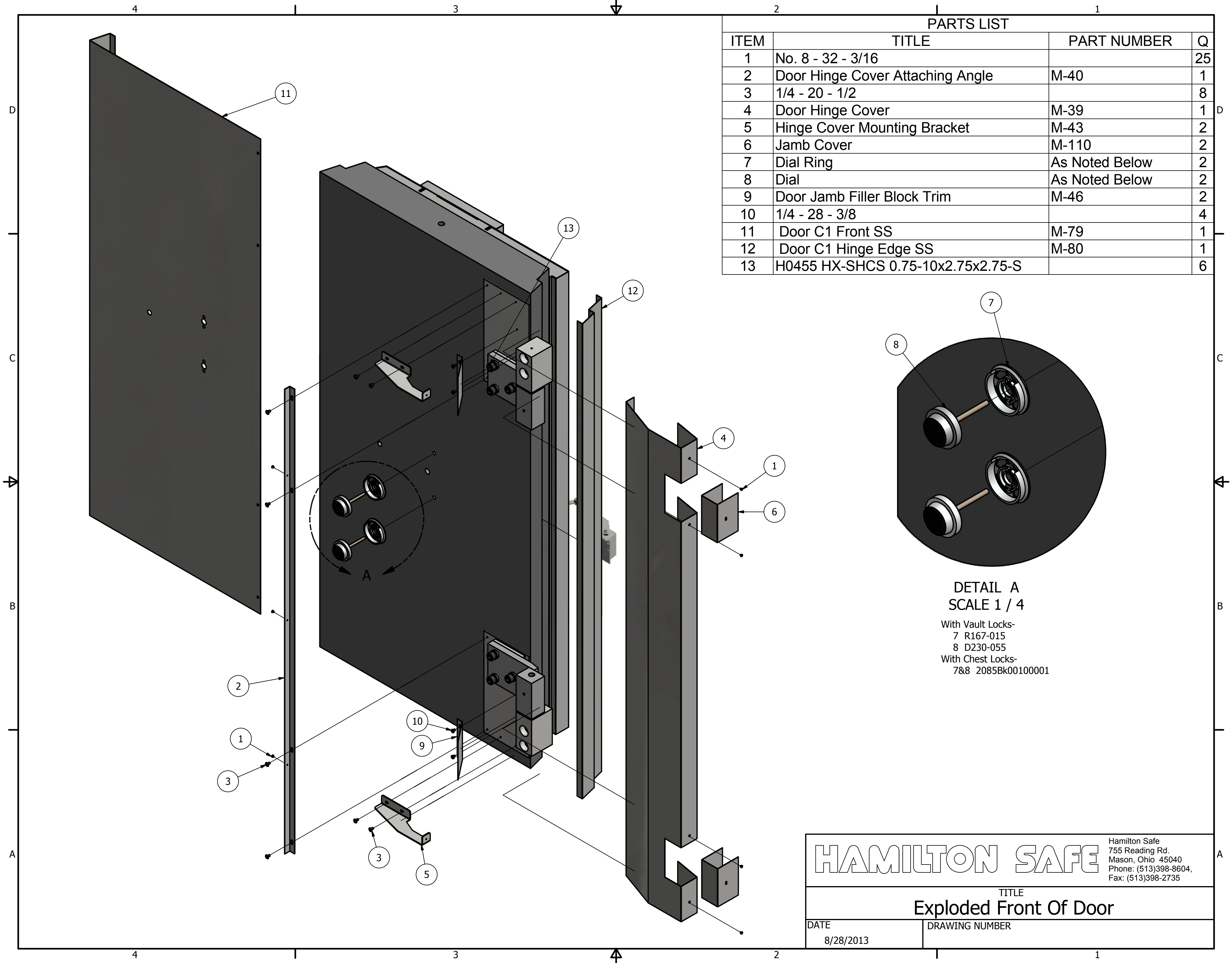
Right Swing Shown (Left Swing is an Option)

		Hamilton Safe 755 Reading Rd. Mason, Ohio 45040 Phone: (513)398-8604, Fax: (513)398-2735
TITLE Class 1 Montgomery Door		
DATE 8/28/2013	DRAWING NUMBER 96-931	

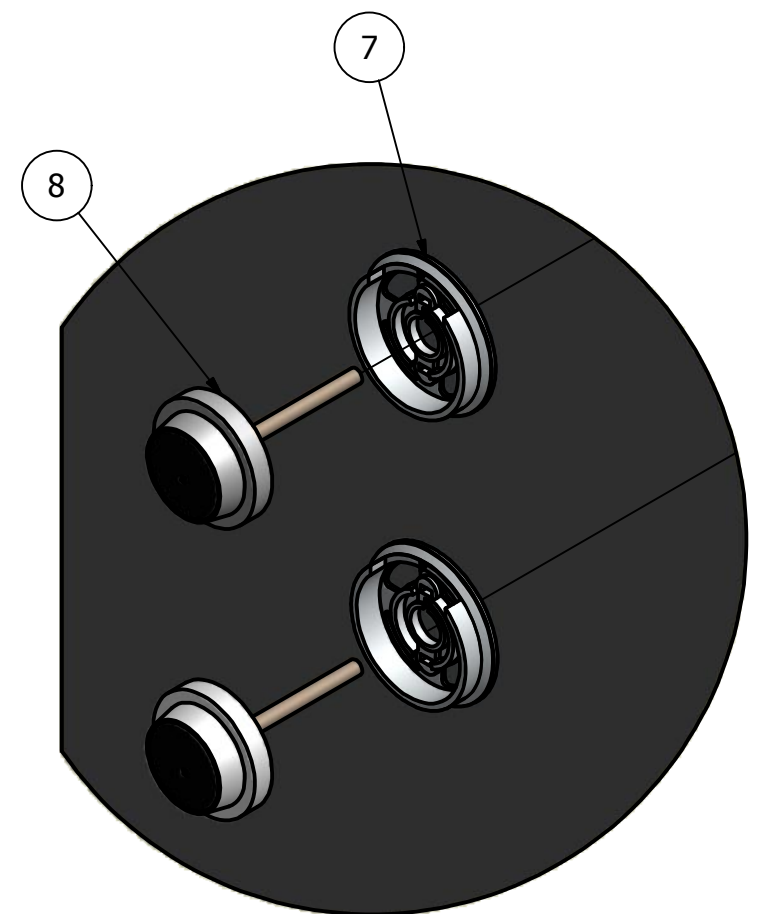


PARTS LIST			
ITEM	TITLE	PART NUMBER	QTY
1	Frame LS Back Strike SS	M-35	1
2	Frame Corner Trim	M-30	2
3	Frame Top Inner Trim	M-45	1
4	Frame LS Back Hinge SS	M-34	1
5	Frame C1 LS Strike SS	M-82	1
6	Frame C1 RS Hinge SS	M-83	1
7	Frame C1 Top Outer Trim	M-88	1
8	No. 8 - 32 - 3/16		6

<h1>HAMILTON SAFE</h1>		Hamilton Safe 755 Reading Rd. Mason, Ohio 45040 Phone: (513)398-8604, Fax: (513)398-2735	
		TITLE Exploded Frame	
DATE	DRAWING NUMBER		
8/13/2013			



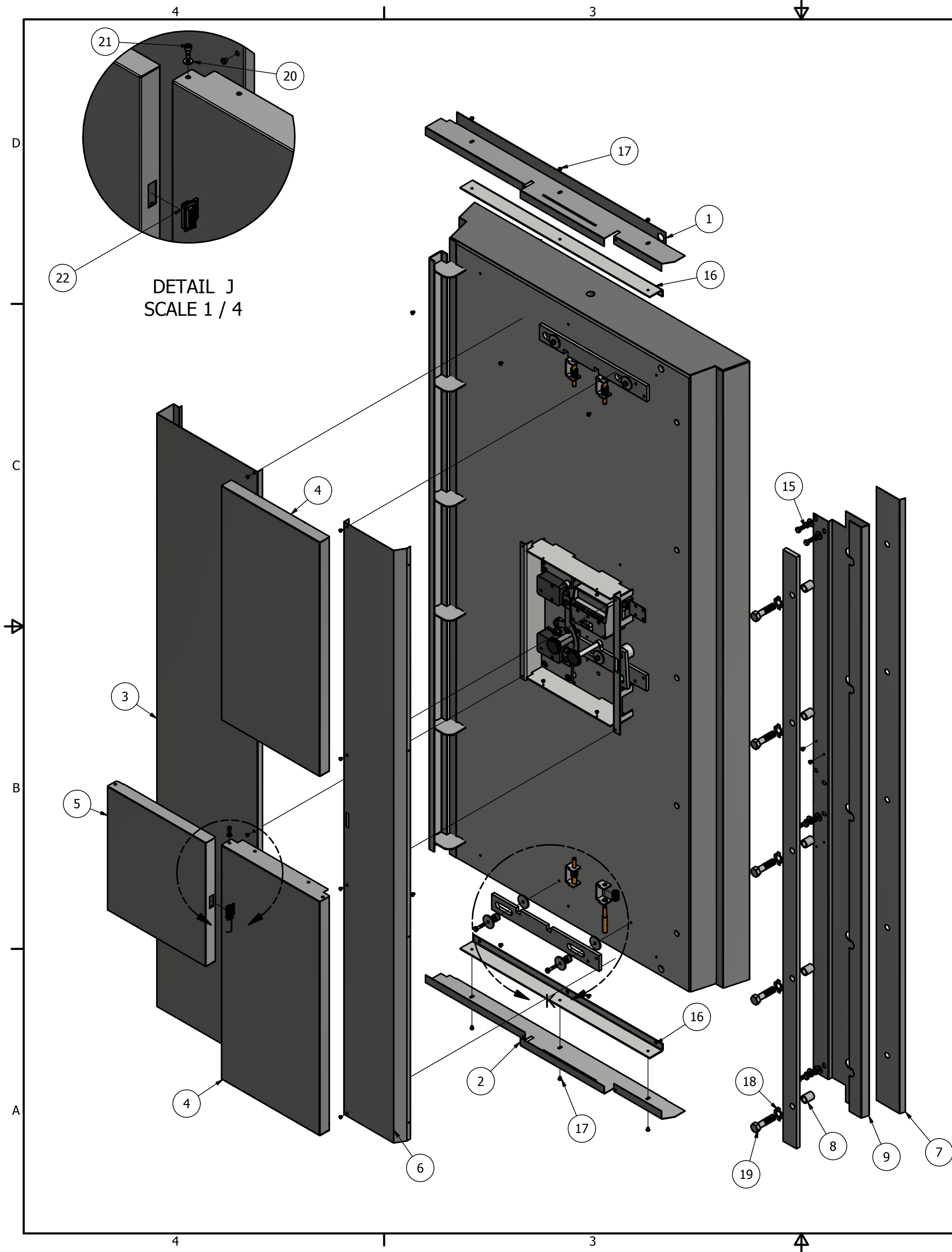
PARTS LIST			
ITEM	TITLE	PART NUMBER	Q
1	No. 8 - 32 - 3/16		25
2	Door Hinge Cover Attaching Angle	M-40	1
3	1/4 - 20 - 1/2		8
4	Door Hinge Cover	M-39	1
5	Hinge Cover Mounting Bracket	M-43	2
6	Jamb Cover	M-110	2
7	Dial Ring	As Noted Below	2
8	Dial	As Noted Below	2
9	Door Jamb Filler Block Trim	M-46	2
10	1/4 - 28 - 3/8		4
11	Door C1 Front SS	M-79	1
12	Door C1 Hinge Edge SS	M-80	1
13	H0455 HX-SHCS 0.75-10x2.75x2.75-S		6



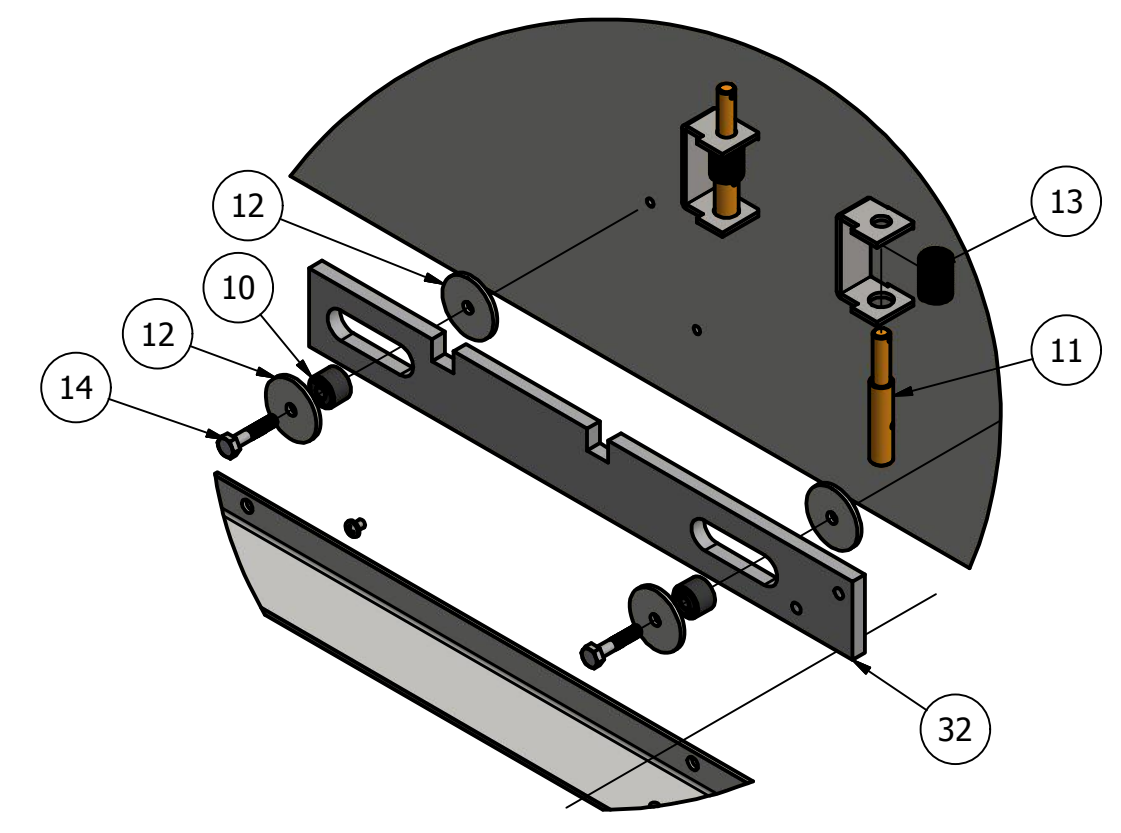
DETAIL A
SCALE 1 / 4

With Vault Locks-
7 R167-015
8 D230-055
With Chest Locks-
7&8 2085Bk00100001

HAMILTON SAFE		Hamilton Safe 755 Reading Rd. Mason, Ohio 45040 Phone: (513)398-8604, Fax: (513)398-2735
TITLE Exploded Front Of Door		
DATE 8/28/2013	DRAWING NUMBER	



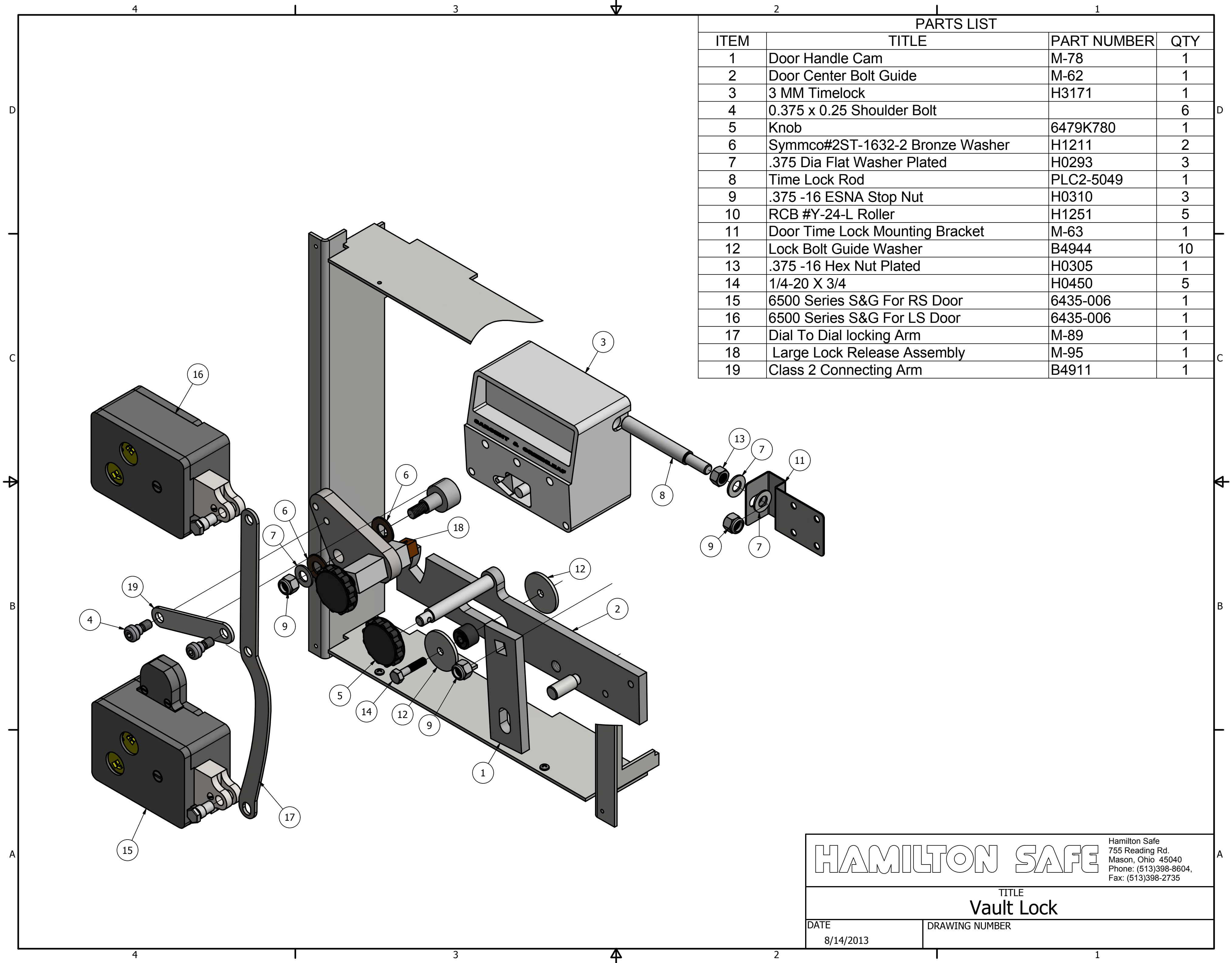
DETAIL J
SCALE 1 / 4



DETAIL K
SCALE 1 / 4

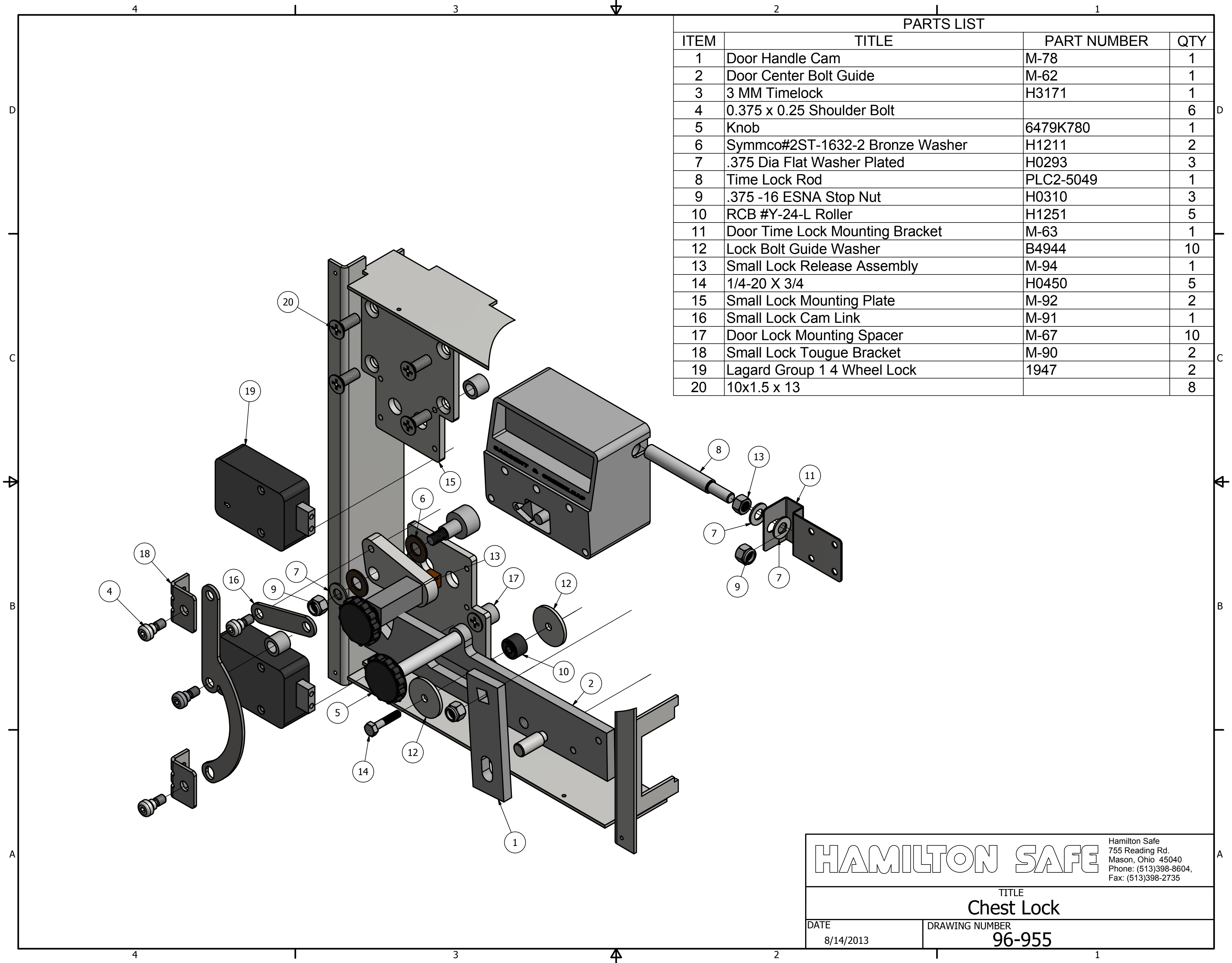
PARTS LIST			
ITEM	TITLE	PART NUMBER	QTY
1	Back Cover End Cap 1	M-48	1
2	Back Cover End Cap 2	M-49	1
3	Door Back Cover Hinge Side	M-50	1
4	Door Back Cover Center Panel	M-51	2
5	Door Back Cover Time Lock Door	M-52	1
6	Door Back Cover Strike Side	M-53	1
7	Door Edge Trim	M-47	1
8	Door Bolt Bar Spacer	M-65	6
9	Door Bolt Bar	M-54	1
10	RCB #Y-24-L Roller	H1251	5
11	Relocker Pin	B4781	4
12	Lock Bolt Guide Washer	B4944	10
13	Relocker Spring WB JONES #18	H 1040	4
14	1/4-20 X 3/4	H0450	5
15	Bolt And Washer		6
16	Door Back Cover Mounting Angle	M-57	2
17	No. 10 - 32 - 1/4		14
18	Lock Bolt Mouniting Washer	B4931	5
19	HBOLT 0.6250-11x2.5x1.5-S	H0370	5
20	Flat Washer		2
21	0.25x0.25-C		2
22	Door Latch	SW3dPS-80-202	1

		Hamilton Safe 755 Reading Rd. Mason, Ohio 45040 Phone: (513)398-8604, Fax: (513)398-2735	
		TITLE Exploded Back Of Door	
DATE	DRAWING NUMBER		
8/14/2013			



PARTS LIST			
ITEM	TITLE	PART NUMBER	QTY
1	Door Handle Cam	M-78	1
2	Door Center Bolt Guide	M-62	1
3	3 MM Timelock	H3171	1
4	0.375 x 0.25 Shoulder Bolt		6
5	Knob	6479K780	1
6	Symmco#2ST-1632-2 Bronze Washer	H1211	2
7	.375 Dia Flat Washer Plated	H0293	3
8	Time Lock Rod	PLC2-5049	1
9	.375 -16 ESNA Stop Nut	H0310	3
10	RCB #Y-24-L Roller	H1251	5
11	Door Time Lock Mounting Bracket	M-63	1
12	Lock Bolt Guide Washer	B4944	10
13	.375 -16 Hex Nut Plated	H0305	1
14	1/4-20 X 3/4	H0450	5
15	6500 Series S&G For RS Door	6435-006	1
16	6500 Series S&G For LS Door	6435-006	1
17	Dial To Dial locking Arm	M-89	1
18	Large Lock Release Assembly	M-95	1
19	Class 2 Connecting Arm	B4911	1

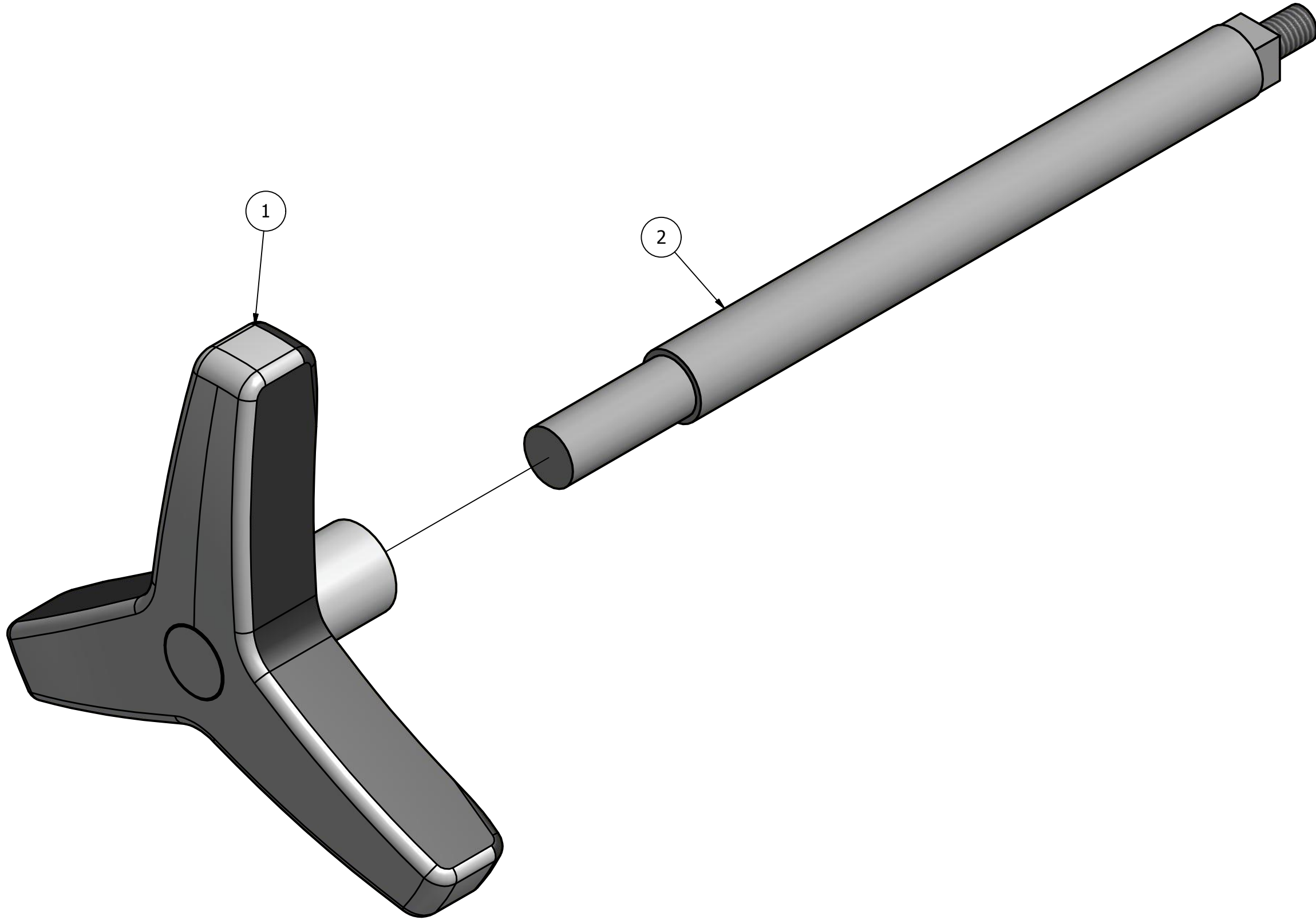
HAMILTON SAFE		Hamilton Safe 755 Reading Rd. Mason, Ohio 45040 Phone: (513)398-8604, Fax: (513)398-2735
TITLE Vault Lock		
DATE 8/14/2013	DRAWING NUMBER	



PARTS LIST			
ITEM	TITLE	PART NUMBER	QTY
1	Door Handle Cam	M-78	1
2	Door Center Bolt Guide	M-62	1
3	3 MM Timelock	H3171	1
4	0.375 x 0.25 Shoulder Bolt		6
5	Knob	6479K780	1
6	Symmco#2ST-1632-2 Bronze Washer	H1211	2
7	.375 Dia Flat Washer Plated	H0293	3
8	Time Lock Rod	PLC2-5049	1
9	.375 -16 ESNA Stop Nut	H0310	3
10	RCB #Y-24-L Roller	H1251	5
11	Door Time Lock Mounting Bracket	M-63	1
12	Lock Bolt Guide Washer	B4944	10
13	Small Lock Release Assembly	M-94	1
14	1/4-20 X 3/4	H0450	5
15	Small Lock Mounting Plate	M-92	2
16	Small Lock Cam Link	M-91	1
17	Door Lock Mounting Spacer	M-67	10
18	Small Lock Tougue Bracket	M-90	2
19	Lagard Group 1 4 Wheel Lock	1947	2
20	10x1.5 x 13		8

HAMILTON SAFE		Hamilton Safe 755 Reading Rd. Mason, Ohio 45040 Phone: (513)398-8604, Fax: (513)398-2735
TITLE Chest Lock		
DATE 8/14/2013	DRAWING NUMBER 96-955	

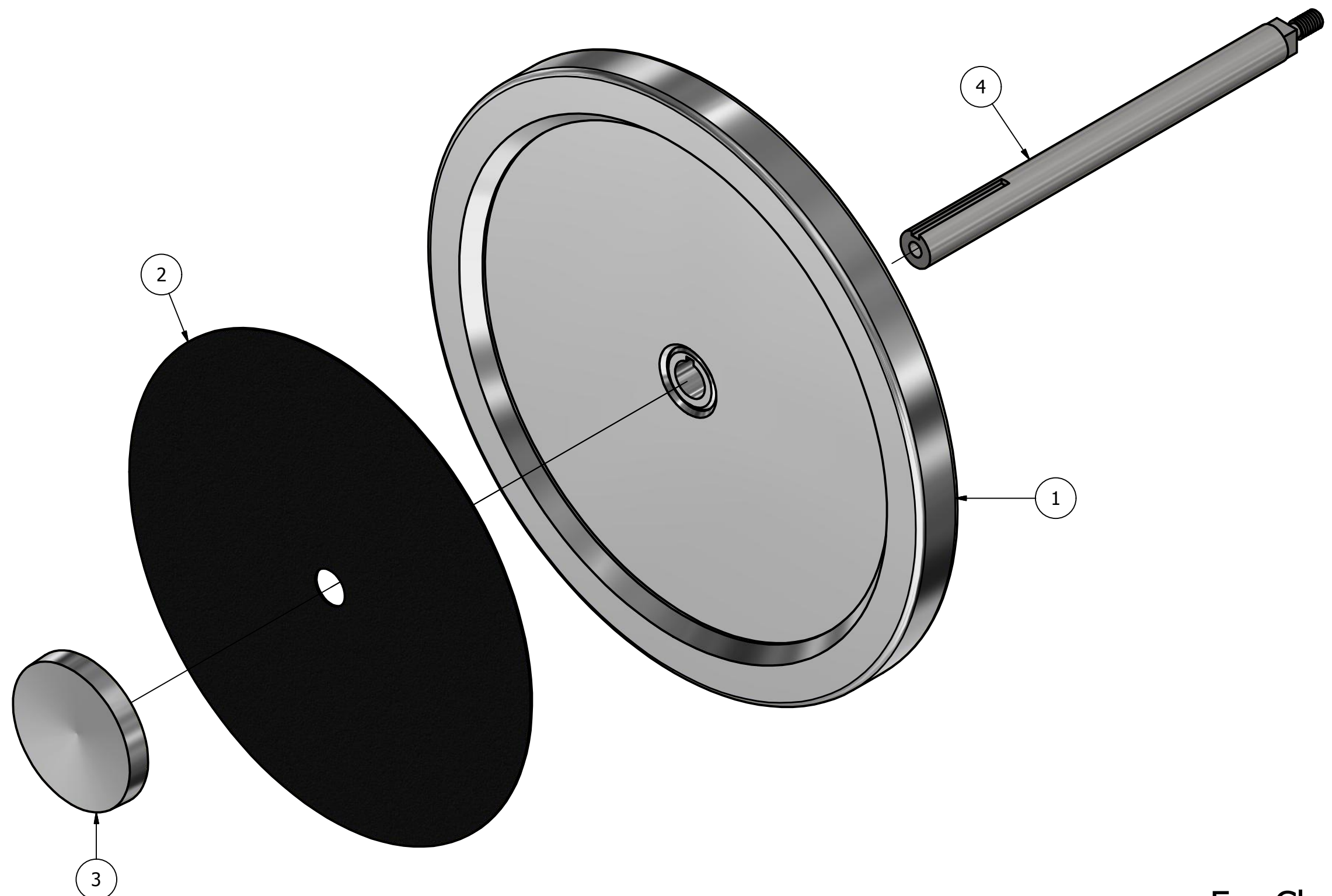
PARTS LIST			
ITEM	TITLE	PART NUMBER	QTY
1	Three Spoke Handle	EDC1001003200	1
2	Door Class 1 Handle Shaft	M-77	1
3	Set Screw (Not Shown)		1



For Class 2 Handle 96-951

HAMILTON SAFE		Hamilton Safe 755 Reading Rd. Mason, Ohio 45040 Phone: (513)398-8604, Fax: (513)398-2735
TITLE Trident Handle Kit		
DATE 10/29/2013	DRAWING NUMBER 96-950	

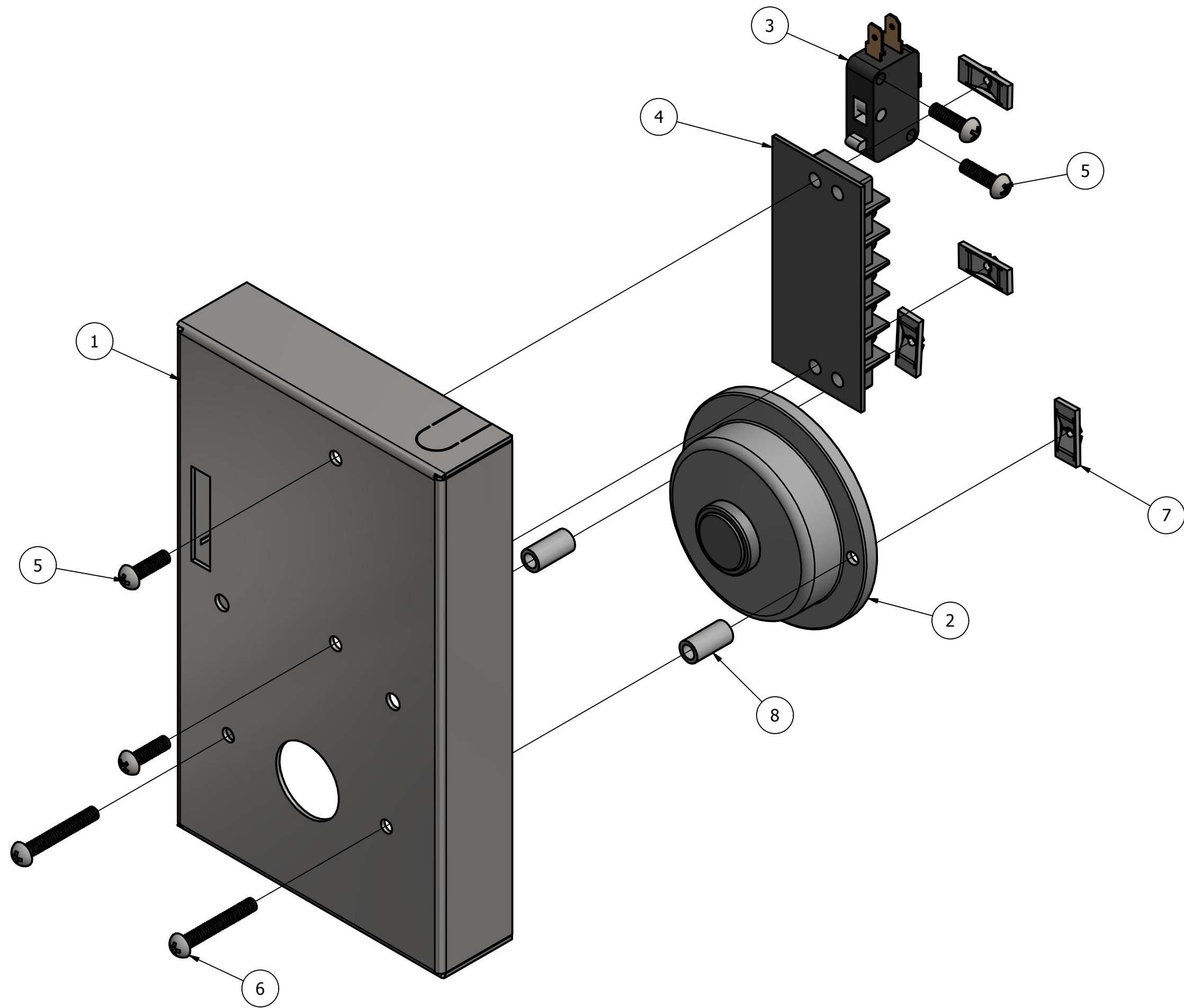
C1 Round Handle Kit (Optional Upgrade)			
ITEM	TITLE	PART NUMBER	QTY
1	ULVD Handle Welded Assembly	M-126	1
2	Decal	B4725	1
3	ULVD Handle Center Retaining Trim	M-123	1
4	C1 Handle Shaft	B4720-1	1
5	Key Stock (Not Shown)	B4719	1



For Class 2 Handle 96-929

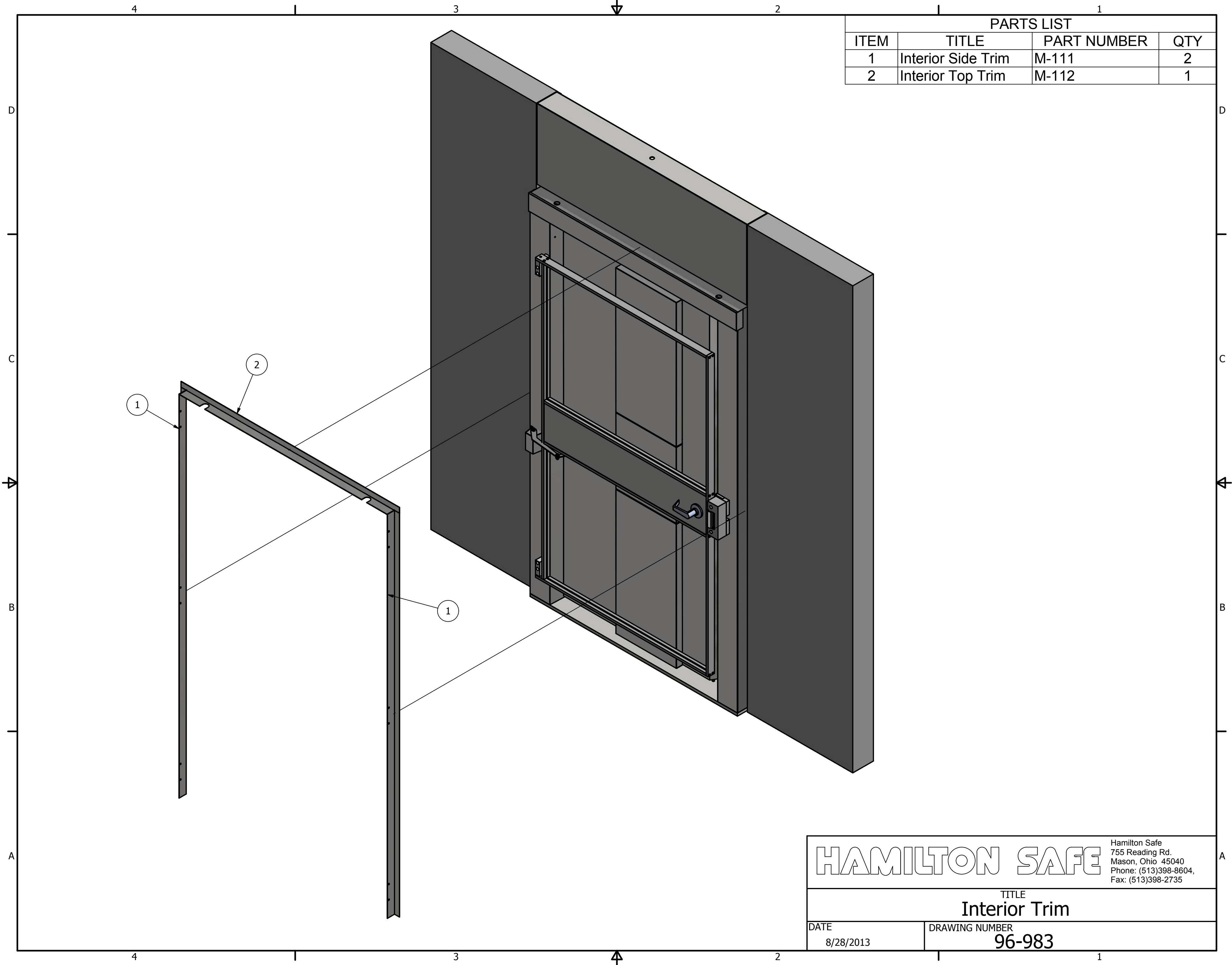
HAMILTON SAFE		Hamilton Safe 755 Reading Rd. Mason, Ohio 45040 Phone: (513)398-8604, Fax: (513)398-2735
TITLE Round Handle Kit		
DATE 8/29/2013	DRAWING NUMBER 96-930	

PARTS LIST			
ITEM	TITLE	PART NUMBER	QTY
1	HSDC Cover	M-85	1
2	Heat Sensor	503	1
3	Mini Lever Switch	V-10G4-1C24-K	1
4	Cinch terminal block - series 140	5-140	1
5	0.138-32x1x1-S		4
6	0.138-32x1x1-S		2
7	Spring Nut	2099	4
8	Tube Spacer	94639A107	2



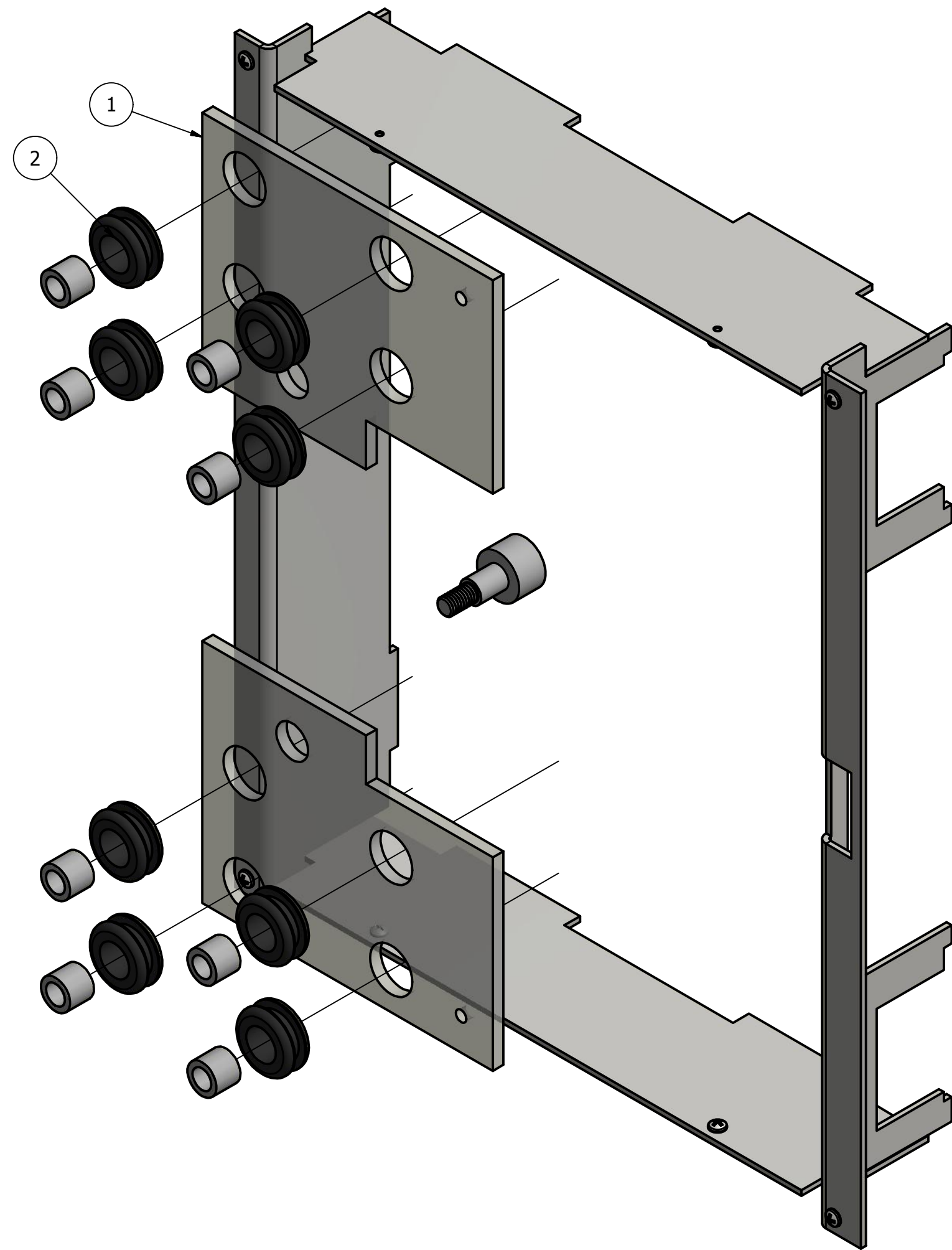
HAMILTON SAFE		Hamilton Safe 755 Reading Rd. Mason, Ohio 45040 Phone: (513)398-8604, Fax: (513)398-2735
TITLE Heat Sensor Door Contact		
DATE 9/6/2013	DRAWING NUMBER 96-949	

PARTS LIST			
ITEM	TITLE	PART NUMBER	QTY
1	Interior Side Trim	M-111	2
2	Interior Top Trim	M-112	1

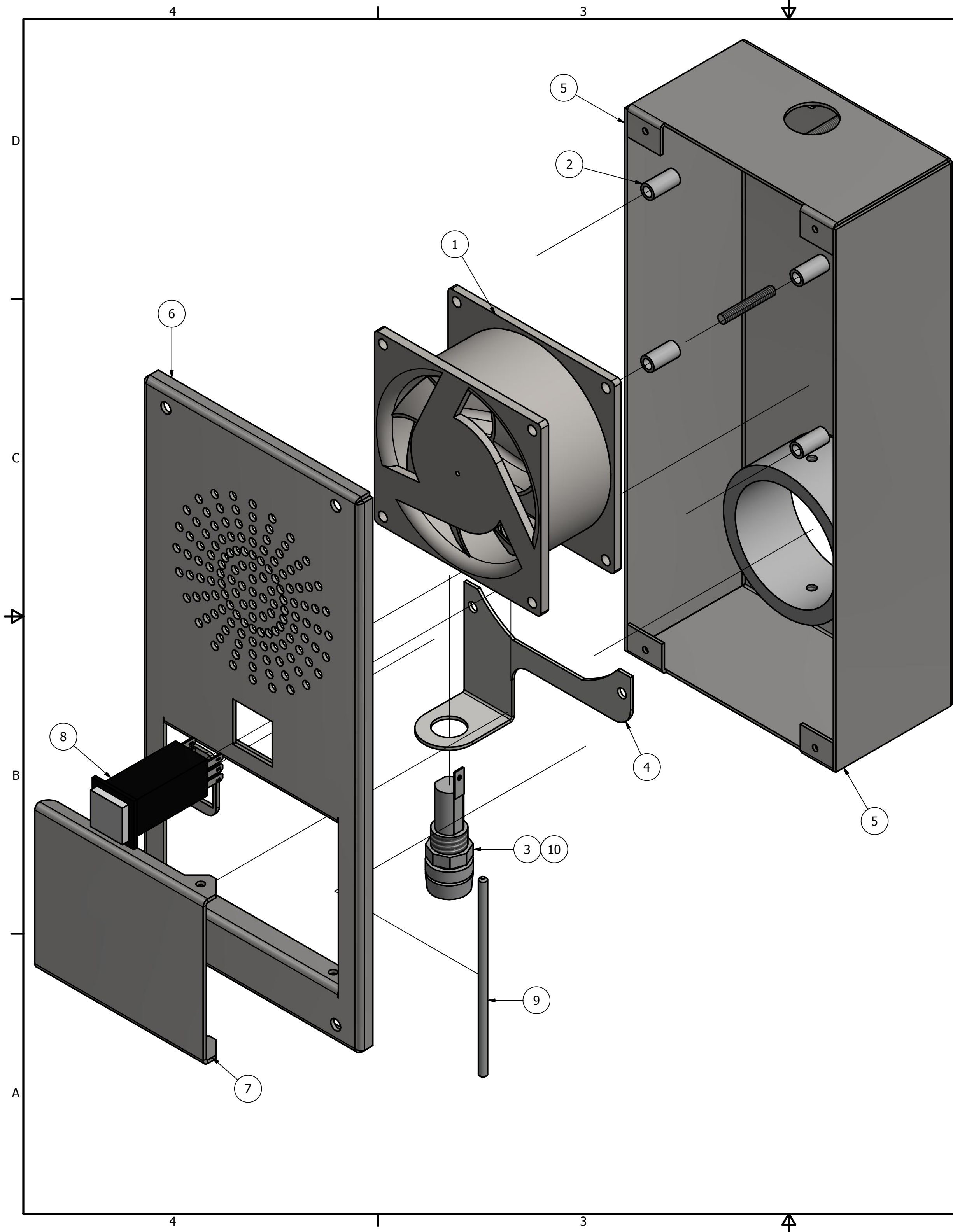


HAMILTON SAFE		Hamilton Safe 755 Reading Rd. Mason, Ohio 45040 Phone: (513)398-8604, Fax: (513)398-2735
TITLE Interior Trim		
DATE 8/28/2013	DRAWING NUMBER 96-983	

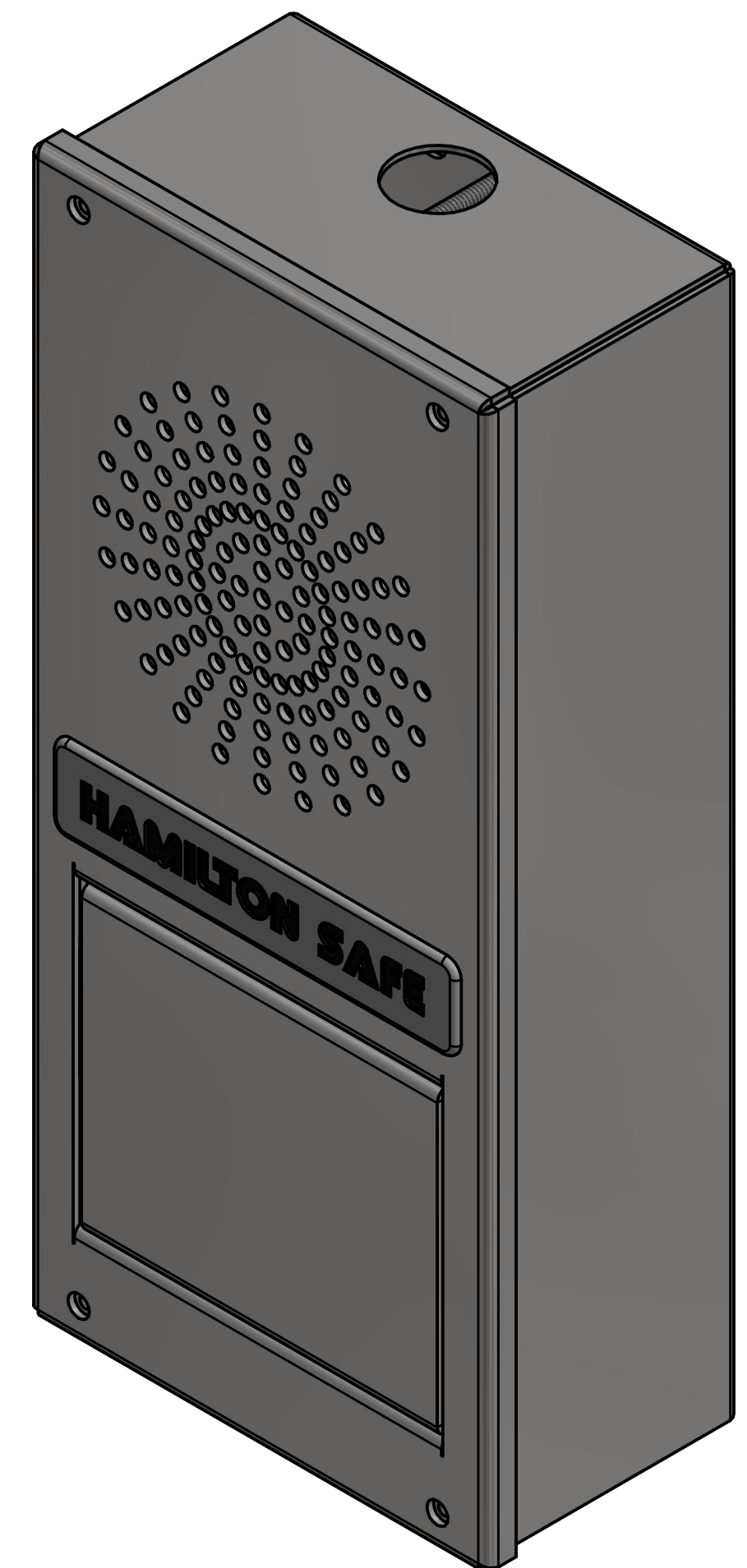
PARTS LIST			
ITEM	TITLE	PART NUMBER	QTY
1	Glass Relocker Plate	PLC2-5045	2
2	Grommet	9307K69	8



HAMILTON SAFE		Hamilton Safe 755 Reading Rd. Mason, Ohio 45040 Phone: (513)398-8604, Fax: (513)398-2735
TITLE Glass Relocker		
DATE 8/14/2013	DRAWING NUMBER	



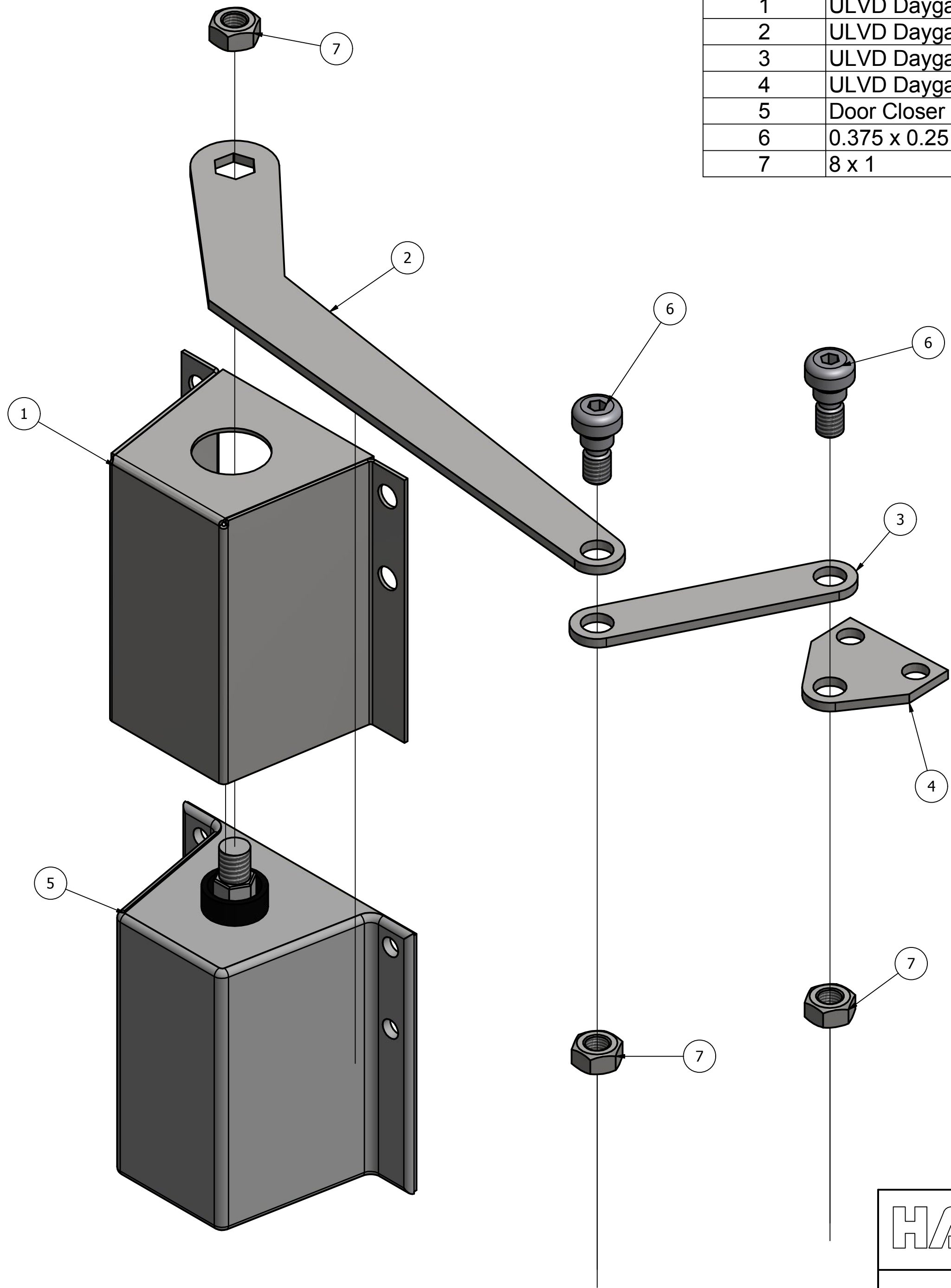
PARTS LIST			
ITEM	TITLE	PART NUMBER	QTY
1	Fan	4WT40	1
2	Spacers	M-107	4
3	Fuse Holder	E0645	1
4	Fuse Bracket	M-106	1
5	Ventilator Mounting Case	M-105	1
6	Cover	M-100	1
7	Access Cover	M-101	1
8	Switch	E0032	1
9	Door Hinge Pin	M-103	1
10	Fuse	E0084	1



Exterior Intake Box

		Hamilton Safe 755 Reading Rd. Mason, Ohio 45040 Phone: (513)398-8604, Fax: (513)398-2735	
		TITLE Wall Mounted Ventilator	
DATE	DRAWING NUMBER		
8/26/2013	96-952		

PARTS LIST			
ITEM	TITLE	PART NUMBER	QTY
1	ULVD Daygate Closer Cover	B6471	1
2	ULVD Daygate Closer Main Arm	B6472	1
3	ULVD Daygate Closer Small Arm	B6473	1
4	ULVD Daygate Closer Pivot Bracket	B6474	1
5	Door Closer	1252A12	1
6	0.375 x 0.25		2
7	8 x 1		3



HAMILTON SAFE		Hamilton Safe 755 Reading Rd. Mason, Ohio 45040 Phone: (513)398-8604, Fax: (513)398-2735
TITLE Door Closer		
DATE 11/12/2013	DRAWING NUMBER	

PARTS LIST			
ITEM	TITLE	PART NUMBER	QTY
1	Daygate Electric Striker Mounting Block	B6698	1
2	Daygate Electric Striker Mounting Bar	B6699-1	1
3	Hes 1006 Electric Strike	1006-630	1
4	Daygate Electric Striker Face Plate	B6697	1
5	3/8-16 x 1 1/2		2
6	3/8 - 16 UNC		2
7	12-24 UNC x 0.375		2

D

D

C

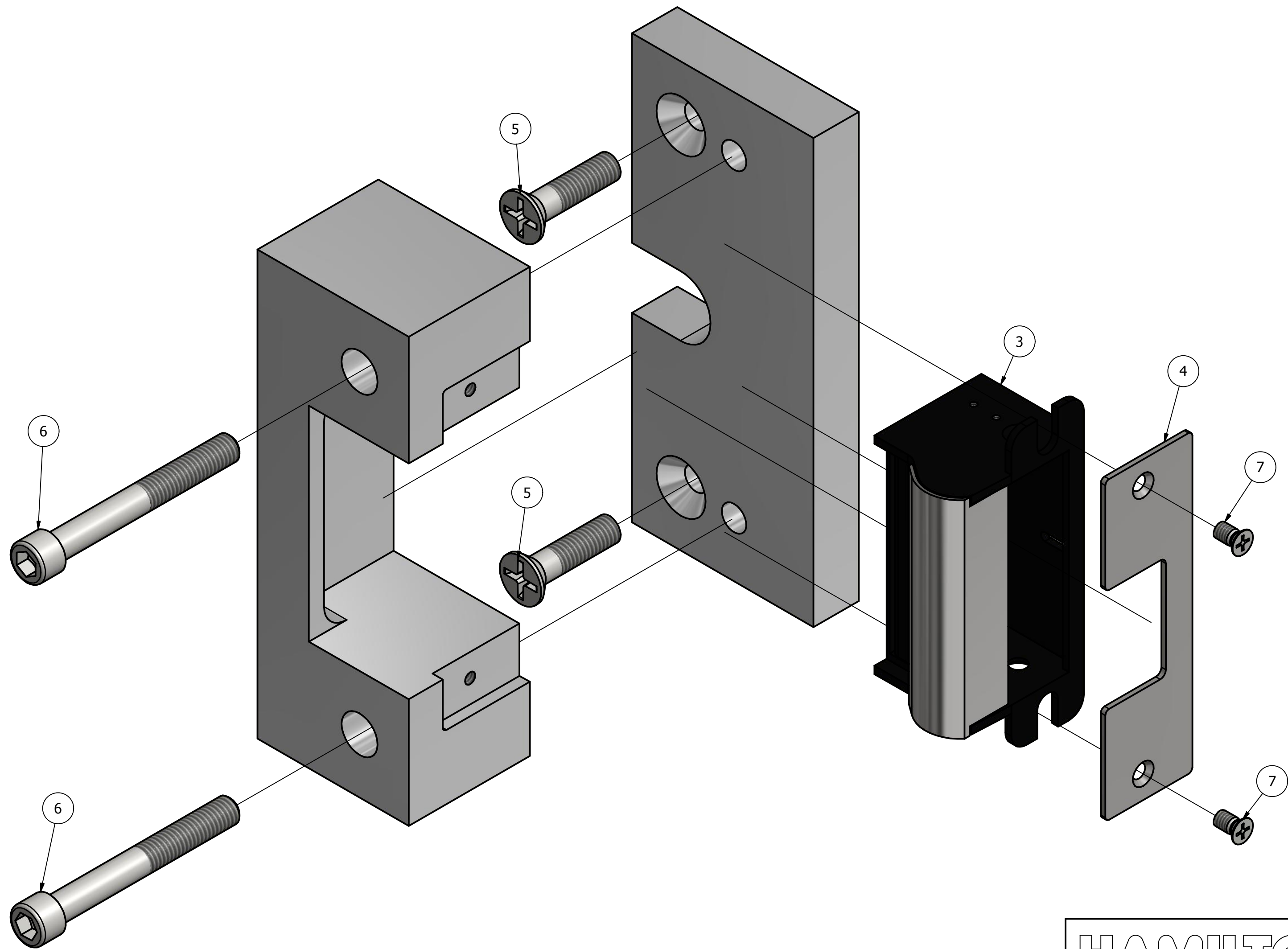
C

B

B

A

A



HAMILTON SAFE		Hamilton Safe 755 Reading Rd. Mason, Ohio 45040 Phone: (513)398-8604, Fax: (513)398-2735
TITLE Electric Strike		
DATE 11/12/2013	DRAWING NUMBER	

4

3

2

1