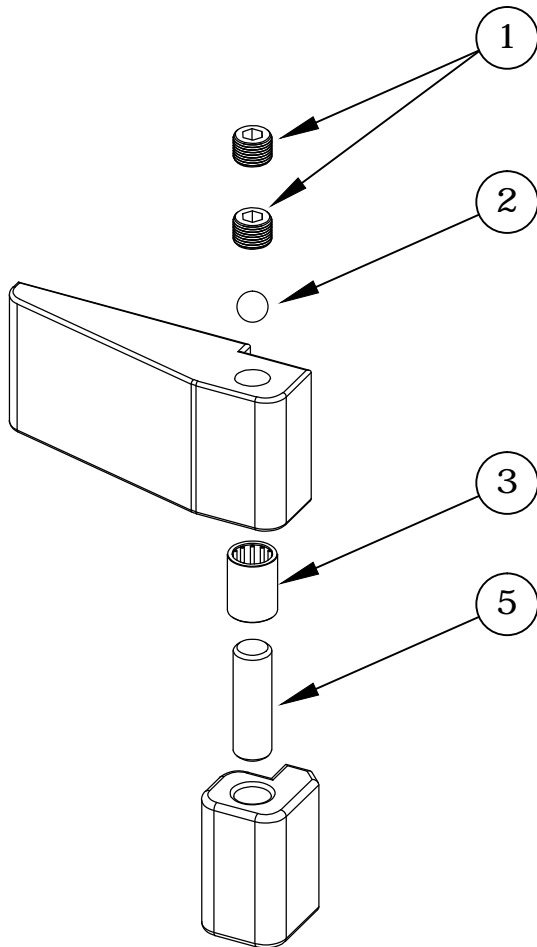
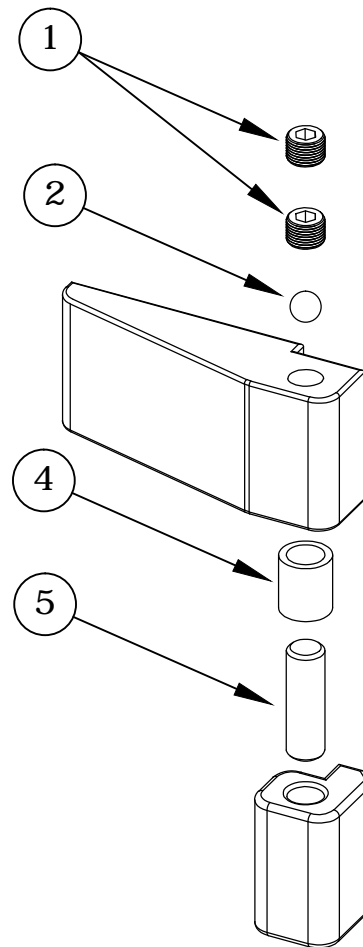


REF.#	P/N	DESCRIPTION	QTY.
1	H0371	5/8-18 X 1/2 SOC. SET CUP PT	2
2	H1152	1/2" DIA. CHROME BALL	1
3	BH1016	ROLLER BEARING	1
4	H1219	BRONZE BUSHING	1
5	H1170	5/8" DIA. X 2" HARDENED DOWEL PIN	1

NOTE: QUANTITIES ARE FOR ONE SINGLE HINGE



CHEST TOP HINGE SET
RIGHT SWING SHOWN



CHEST BOTTOM HINGE SET
RIGHT SWING SHOWN

CHEST WITH CENTER HINGE SET
WILL NOT HAVE A BEARING #3 OR BUSHING #4

THESE DRAWINGS ARE THE
PROPERTY OF HAMILTON SAFE CO.
AND SHALL NOT BE REPRODUCED
OR COPIED OR USED AS THE BASIS
FOR MANUFACTURE OR SALE OF
APPARATUS WITHOUT PERMISSION

HAMILTON SAFE
EXPLODED VIEW DRAWING
CHEST WELD ON HINGE
ASSEMBLY

DATE: 7/18/11	DRAWING NUMBER : 96-474	PAGE: 1 OF 1
------------------	----------------------------	-----------------