

Rev - 1	12-24-08 UPDATED DRAWING
Rev - 2	5-31-12 UPDATE 2' COMP

PORTABLE VAULT WITH INTERIOR

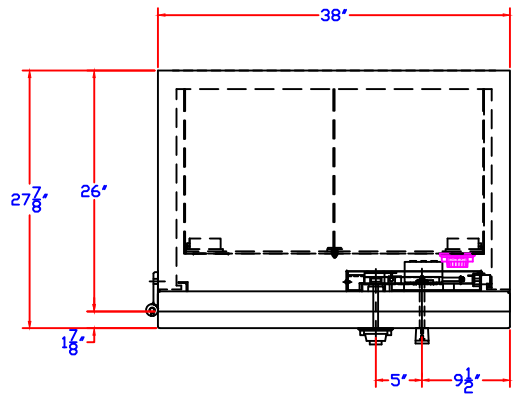
DRAWING NUMBER: 95-959L
 COMPOSITE CHEST - 58"H x 38"W x 26"D; TL-30
 LEFT SWING
 LOCK: KLD. COMBINATION LOCK ON
 (OUTER CHEST DOOR)

2-HOUR 350 DEGREE FIRE PROTECTION IN
 ACCORDANCE TO UL 72

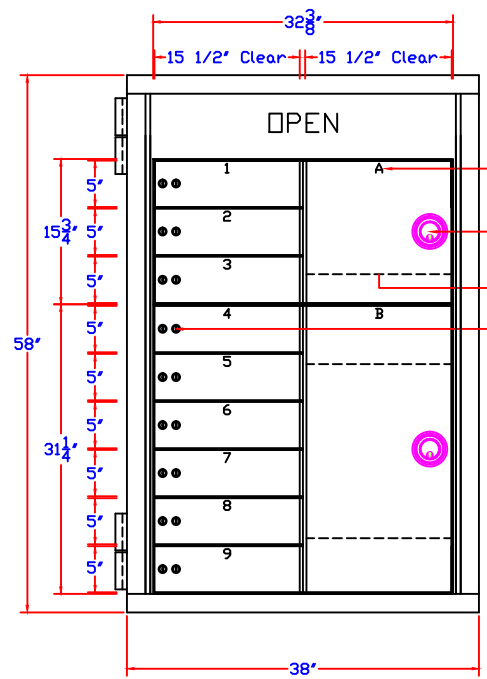
ALARM:
 1 = HEAT SENSOR AND DOOR CONTACT
 1 = ALARM HOLE

INTERIOR:
 BUILT IN LOCKER INTERIOR
 PAINTED TO MATCH CHEST FINISH

COLOR:
 CHARCOAL GRAY

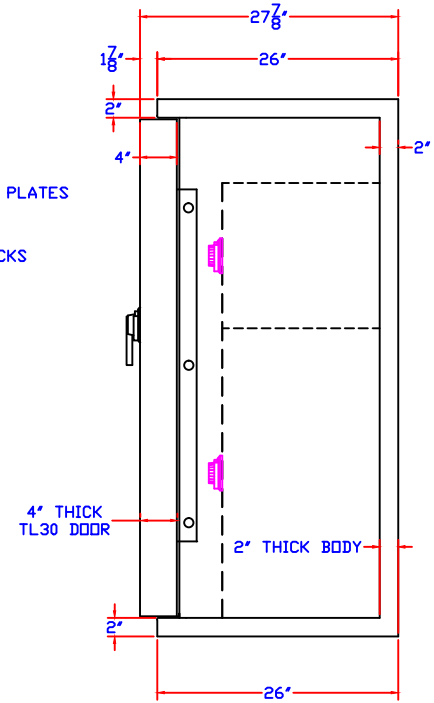


PLAN

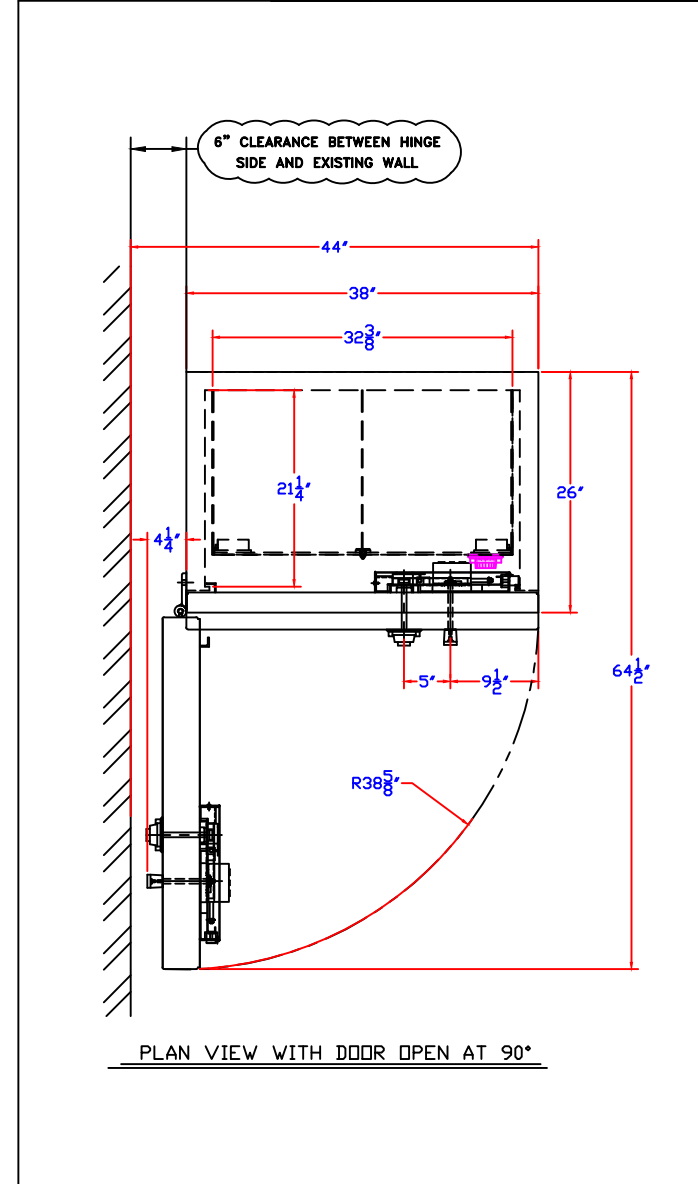


FRONT ELEVATION

- (11) DECORATOR NUMBER PLATES
- (2) KLD. COMBINATION LOCKS
- (3) ADJUSTABLE SHELVES
- (9) M40Y DOUBLE NOSE KEYLOCKS SY-3 GUARD



RIGHT SIDE ELEVATION



PLAN VIEW WITH DOOR OPEN AT 90°

HAMILTON SAFE	
TL-30 COMPOSITE CHEST 58"H x 38"W x 26"D LEFT SWING - U.L. LISTED	
Drawing Number : 95-959L	Date : 12/24/08