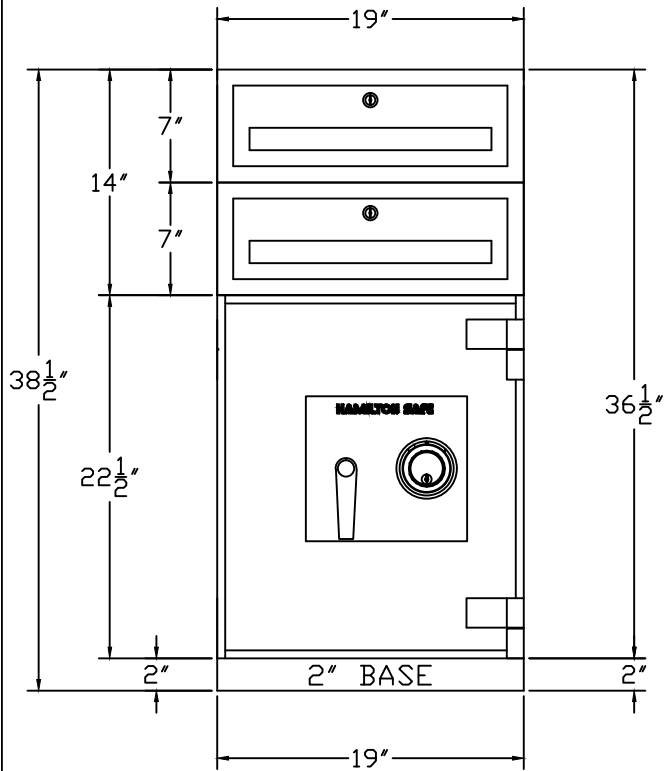
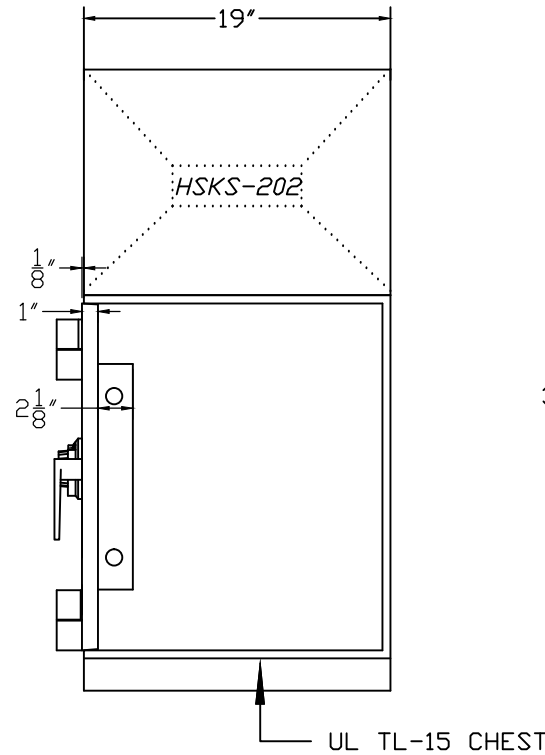


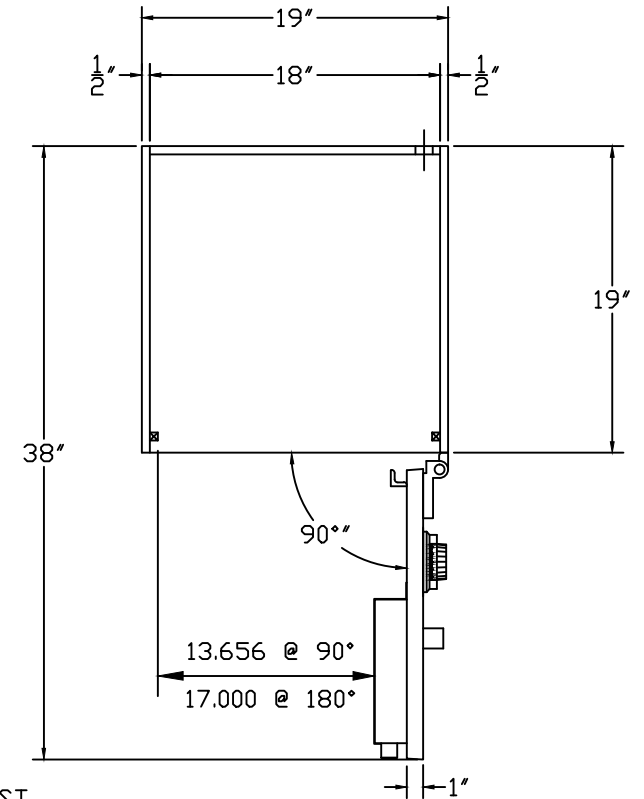
Rev - 1	12/13/02 ADDED A BASE
Rev - 2	5/27/11 CORRECTED LOCKS.
Rev - 3	7/6/15 UPDATED BOLTWORK.



FRONT ELEVATION



SIDE ELEVATION



SECTION THRU SAFE

EQUIPMENT

- 1) CHEST 22 1/2"Hx19"Wx19"D, TL-15  
RIGHT SWING SHOWN
- 2) ONE HSKS-202 MOUNTED TO TOP OF CHEST
- 3) BASE - 2"Hx19"Wx19"D
- 4) COLOR : INSTRUMENT TAN

<b>HAMILTON SAFE</b>	
TELLER CASH STORAGE SAFE MODEL #HSTL-15-2	
Drawing Number :95-870	Date :5/15/02